

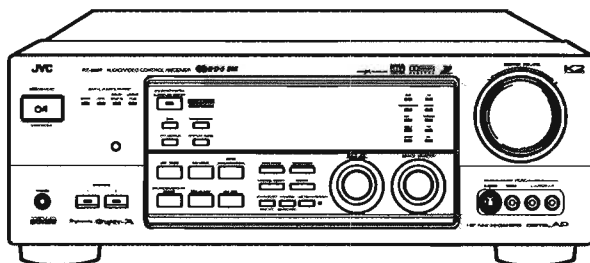
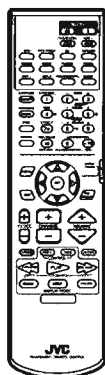
**RX-888VBK
RX-888RBK**

JVC

SERVICE MANUAL

AUDIO/VIDEO CONTROL RECEIVER

RX-888VBK RX-888RBK



Dynamic **Super-A**

MPEG **MC** Multichannel

DIGITAL **AP**

CD-R-D-S EON

TEXT
COMPU LINK

COMPU LINK
Remote

DOLBY
DIGITAL

K2
INTERFACE

3D
3D-PHONIC

DIGITAL
ds
SURROUND

Area Suffix
RX-888VBK

J U.S.A.
C Canada

Area Suffix
RX-888RBK

B U.K.
E Continental Europe
EN Northern Europe

Contents

Safety precautions	1-2	Description of major IC's	2-6
Instructions	1-3	Block Diagrams	2-23
Disassembly method	2-1	Standard Schematic Diagrams	2-24
RX-888V Disassembly method for performing power check	2-4	Printed Circuit Boards	2-35
Adjustment method	2-5	Parts List	3-1

Safety Precautions

1. This design of this product contains special hardware and many circuits and components specially for safety purposes. For continued protection, no changes should be made to the original design unless authorized in writing by the manufacturer. Replacement parts must be identical to those used in the original circuits. Services should be performed by qualified personnel only.
2. Alterations of the design or circuitry of the product should not be made. Any design alterations of the product should not be made. Any design alterations or additions will void the manufacturer's warranty and will further relieve the manufacture of responsibility for personal injury or property damage resulting therefrom.
3. Many electrical and mechanical parts in the products have special safety-related characteristics. These characteristics are often not evident from visual inspection nor can the protection afforded by them necessarily be obtained by using replacement components rated for higher voltage, wattage, etc. Replacement parts which have these special safety characteristics are identified in the Parts List of Service Manual. Electrical components having such features are identified by shading on the schematics and by (Δ) on the Parts List in the Service Manual. The use of a substitute replacement which does not have the same safety characteristics as the recommended replacement parts shown in the Parts List of Service Manual may create shock, fire, or other hazards.
4. The leads in the products are routed and dressed with ties, clamps, tubings, barriers and the like to be separated from live parts, high temperature parts, moving parts and/or sharp edges for the prevention of electric shock and fire hazard. When service is required, the original lead routing and dress should be observed, and it should be confirmed that they have been returned to normal, after re-assembling.
5. Leakage current check (Electrical shock hazard testing)
After re-assembling the product, always perform an isolation check on the exposed metal parts of the product (antenna terminals, knobs, metal cabinet, screw heads, headphone jack, control shafts, etc.) to be sure the product is safe to operate without danger of electrical shock. Do not use a line isolation transformer during this check.

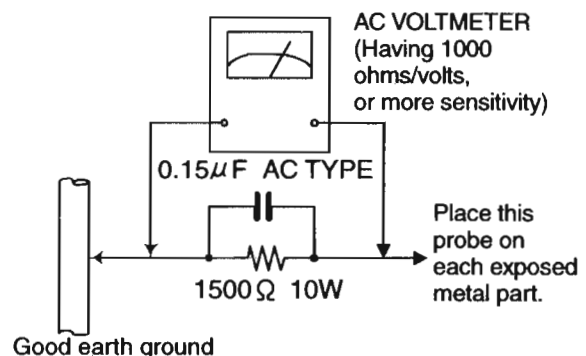
- Plug the AC line cord directly into the AC outlet. Using a "Leakage Current Tester", measure the leakage current from each exposed metal parts of the cabinet, particularly any exposed metal part having a return path to the chassis, to a known good earth ground. Any leakage current must not exceed 0.5mA AC (r.m.s.)

- Alternate check method

Plug the AC line cord directly into the AC outlet. Use an AC voltmeter having, 1,000 ohms per volt or more sensitivity in the following manner. Connect a 1,500 Ω 10W resistor paralleled by a 0.15 μ F AC-type capacitor between an exposed metal part and a known good earth ground.

Measure the AC voltage across the resistor with the AC voltmeter.

Move the resistor connection to each exposed metal part, particularly any exposed metal part having a return path to the chassis, and measure the AC voltage across the resistor. Now, reverse the plug in the AC outlet and repeat each measurement. voltage measured Any must not exceed 0.75 V AC (r.m.s.). This corresponds to 0.5 mA AC (r.m.s.).



Warning

1. This equipment has been designed and manufactured to meet international safety standards.
2. It is the legal responsibility of the repairer to ensure that these safety standards are maintained.
3. Repairs must be made in accordance with the relevant safety standards.
4. It is essential that safety critical components are replaced by approved parts.
5. If mains voltage selector is provided, check setting for local voltage.

Instructions

JVC

AUDIO/VIDEO CONTROL RECEIVER

AUDIO/VIDEO-RECEIVER MIT STEUER-EINHEIT
 AMPLI/TUNER DE COMMANDE AUDIO/VIDEO
 GEINTEGREERDE AUDIO/VIDEO-VERSTERKER
 RECEPTOR DE CONTROL DE AUDIO/VIDEO
 RICEVITORE DI CONTROLLO AUDIO/VIDEO

RX-888RBK

K2
INTERFACE

DIGITAL AP

Dynamic **Super-A**

TEXT

COMPU LINK

COMPU LINK

Remote IIII

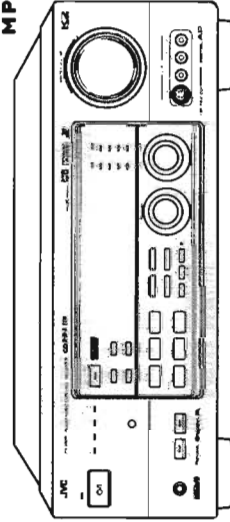
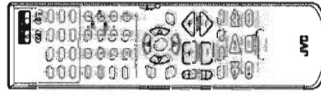
3D
3D-PHONIC

MPEG Multichannel

DIGITAL
CLS
SURROUND

DOLBY
DIGITAL

CD-RDS EON



JVC

VICTOR COMPANY OF JAPAN, LIMITED

RX-888VBK/888RBK

INSTRUCTIONS

BEDIENUNGSANLEITUNG
 MANUEL D'INSTRUCTIONS
 GEBRUIKSAANWIJZING
 MANUAL DE INSTRUCCIONES
 ISTRUZIONI

For Customer Use:
 Enter below the Model No. and Serial No. which are located either on the rear, bottom or side of the cabinet. Retain this information for future reference.

Model No. _____
 Serial No. _____

LVT0177-001A (E)

0-499-HMMDWJEM

EN, GE, FR, NL, SP, IT

**Warnings, Cautions and Others/Warnung, Achtung und sonstige Hinweise/
Mises en garde, précautions et indications diverses/Waarschuwingen,
voorzorgen en andere mededelingen/Avisos, precauciones y otras notas/
Avvertenze e precauzioni da osservare**

IMPORTANT for the U.K.
DO NOT cut off the mains plug from this equipment. If the plug is cut off, the equipment will not be protected against the risk of electric shock. If the cable is too short to reach a power point, then obtain an appropriate safety approved extension lead or consult your dealer.
BE SURE to replace the fuse only with an identical approved type, as originally fitted.
If nonetheless the mains plug is cut off ensure to remove the fuse and dispose of the plug immediately, to avoid a possible shock hazard by inadvertent connection to the mains supply.
If this product is not supplied fitted with a mains plug then follow the instructions given below.
IMPORTANT.
DO NOT make any connection to the terminal which is marked by the safety alarm symbol or coloured green or green-and-yellow.
The wires in the mains lead on this product are coloured in accordance with the following code:
Blue : Neutral
Brown : Live
As these colours may not correspond with the coloured markings identifying the terminals in your plug proceed as follows:
The wire which is coloured blue must be connected to the terminal which is marked with the letter 'N' or coloured black.
The wire which is coloured brown must be connected to the terminal which is marked with the letter 'L' or coloured red.
IF IN DOUBT - CONSULT A COMPETENT ELECTRICIAN.

Per l'Italia:
"Si dichiara che il questo prodotto di marca JVC è conforme alle prescrizioni del Decreto Ministeriale n.548 del 28/08/95 pubblicato sulla Gazzetta Ufficiale della Repubblica Italiana n.301 del 28/12/95."

- CAUTION**
To reduce the risk of electrical shocks, fire, etc.:
- Do not remove screws, covers or cabinet.
 - Do not expose this appliance to rain or moisture.
- ACHTUNG**
Zur Verhinderung von elektrischen Schlägen, Brandgefahr, usw.:
- Keine Schrauben lösen oder Abdeckungen entfernen und nicht das Gehäuse öffnen.
 - Dieses Gerät weder Regen noch Feuchtigkeit aussetzen.
- ATTENTION**
Afin d'éviter tout risque d'électrocution, d'incendie, etc.:
- Ne pas enlever les vis ni les panneaux et ne pas ouvrir le coffret de l'appareil.
 - Ne pas exposer l'appareil à la pluie ni à l'humidité.

Caution — STANDBY/ON switch
Do not disconnect the mains plug to shut the power off completely. The STANDBY/ON switch will not disconnect the power unless not disconnect the mains line. The power can be remote controlled.
Achtung — STANDBY/ON switch
Den Netzstecker aus der Steckdose ziehen, um die Stromversorgung vollkommen zu unterbrechen. Der Schalter STANDBY/ON unterbricht in keiner Stellung die Stromversorgung vollkommen. Die Stromversorgung kann mit der Fernbedienung ein- und ausgeschaltet werden.
Attention — Commutateur STANDBY/ON
Déconnecter la fiche de secteur pour couper complètement le courant. Le commutateur STANDBY/ON ne coupe jamais complètement la ligne de secteur, quelle que soit sa position. Le courant peut être télécommandé.
Voorzichtig — STANDBY/ON schakelaar!
Om de stroomtoevoer geheel uit te schakelen, trek u de stekker uit het stopcontact. Anders zal er altijd een geringe hoeveelheid stroom naar het apparaat lopen, ongeacht de stand van de STANDBY/ON schakelaar. U kunt het apparaat ook met de afstandsbediening aan- en uitschakelen.
Precaución — Interruptor STANDBY/ON
Desconectar el cable de alimentación para desactivar la alimentación totalmente. Cualquier que sea la posición de ajuste del interruptor STANDBY/ON, la alimentación no es cortada completamente. La alimentación puede ser controlada remotamente.
Attenzione — L'interruttore STANDBY/ON
Disinserire la spina del cavo di alimentazione dalla presa della rete elettrica per staccare completamente l'alimentazione. L'interruttore STANDBY/ON, in nessuna posizione stacca la linea di alimentazione elettrica principale. È possibile il controllo remoto dell'alimentazione.

VOORZICHTIG
Ter vermindering van gevaar voor brand, elektrische schokken, enz.:

- Verwijder geen schroeven, panelen of de behuizing
- Stel dit toestel niet bloot aan regen of vocht.

PRECAUCIÓN
Para reducir riesgos de choques eléctricos, incendio, etc.:

- No extraiga los tornillos, los cubiertas ni la caja.
- No exponga este aparato a la lluvia o a la humedad.

ATTENZIONE
Per ridurre il rischio di scosse elettriche, incendi, ecc.:

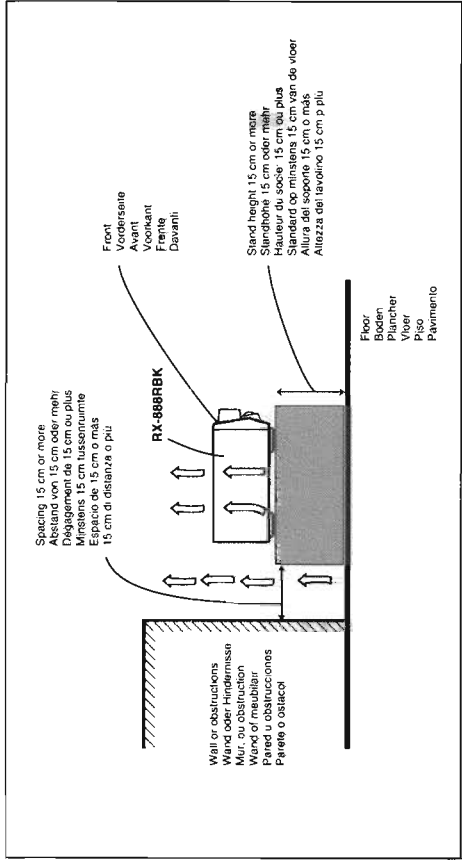
- Non togliere viti, coperchi o la scatola.
- Non esporre l'apparecchio alla pioggia e all'umidità.

- CAUTION**
To reduce the risk of electrical shocks, fire, etc.:
- Do not remove screws, covers or cabinet.
 - Do not expose this appliance to rain or moisture.
- ACHTUNG**
Zur Verhinderung von elektrischen Schlägen, Brandgefahr, usw.:
- Keine Schrauben lösen oder Abdeckungen entfernen und nicht das Gehäuse öffnen.
 - Dieses Gerät weder Regen noch Feuchtigkeit aussetzen.
- ATTENTION**
Afin d'éviter tout risque d'électrocution, d'incendie, etc.:
- Ne pas enlever les vis ni les panneaux et ne pas ouvrir le coffret de l'appareil.
 - Ne pas exposer l'appareil à la pluie ni à l'humidité.

Caution: Proper Ventilation
To avoid risk of electric shock and fire and to protect from damage. Locate the apparatus as follows:
Front: No obstructions open spacing.
Sides: No obstructions in 10 cm from the sides.
Top: No obstructions in 10 cm from the top.
Back: No obstructions in 15 cm from the back.
Bottom: No obstructions, place on the level surface.
In addition, maintain the best possible air circulation as illustrated.

Achtung: Angemessene Ventilation
Stellen Sie das Gerät zur Ventilation von elektrischem Schlag und Feuer und zum Schutz gegen Beschädigung wie folgt auf:
Vorderseite: Offener Platz ohne Hindernisse.
Seiten: Keine Hindernisse innerhalb 10 cm von den Seiten.
Rückseite: Keine Hindernisse innerhalb 10 cm von der Rückseite.
Oberrseite: Keine Hindernisse. Auf eine ebene Oberfläche stellen.
Zusätzlich die bestmögliche Luftzirkulation wie gezeigt erhalten.

Attention: Ventilation Correcte
Pour éviter les chocs électriques, l'incendie et tout autre dégât. Disposer l'appareil en tenant compte des impératifs suivants:
Avant: Rien ne doit gêner le dégagement latéral.
Flancs: Laisser 10 cm de dégagement latéral.
Dessus: Laisser 10 cm de dégagement supérieur.
Arrière: Laisser 15 cm de dégagement arrière.
Dessous: Rien ne doit obstruer par dessous; poser l'appareil sur une surface plate.
Veiller également à ce que l'air circule le mieux possible comme illustré.



Voorzichtig: Zorg Voor Goede Ventilatie
Om gevaar voor brand of een elektrische schok te voorkomen, dient u bij opstelling van het apparaat op de volgende punten te letten:
Voorfront: Voldoende ruimte vrij houden.
Zijkanten: Minstens 10 cm aan weerszijden vrij houden.
Bovenkant: Niets bovenop plaatsen; 10 cm speling geven.
Achterkant: Minstens 15 cm ruimte achteraan vrij houden.
Onderkant: Opstellen op een egaal horizontaal oppervlak.
Onderdelen moeten erom voldoende luchttoevoer zijn, zoals in de afbeelding aangegeven.

Precaución: Ventilación Adeuada
Para evitar el riesgo de choque eléctrico e incendio y para proteger el aparato contra daños.
Ubique el aparato de la siguiente manera:
Lados: Espacio abierto sin obstrucciones.
Arriba: 10 cm sin obstrucciones a los lados.
Parte superior: 10 cm sin obstrucciones en la parte superior.
Parte trasera: 15 cm sin obstrucciones en la parte trasera.
Sin obstrucciones, colóquelo sobre una superficie nivelada.
Además, mantenga la mejor circulación de aire posible como se ilustra.

Attenzione: Problemi di Ventilazione
Per evitare il rischio di folgorazioni ed incendi e proteggere l'unità da danni, installarla nel modo seguente.
Davanti: Nessun ostacolo, spazio libero.
Lati: Nessun ostacolo per almeno 10 cm.
Spazio: Nessun ostacolo per almeno 10 cm.
Retro: Nessun ostacolo per almeno 15 cm.
Fondo: Libero etc in piano.
Inoltre, mantenere il più possibile la circolazione dell'aria.

English

Deutsch

Francès

Nederlands

Español

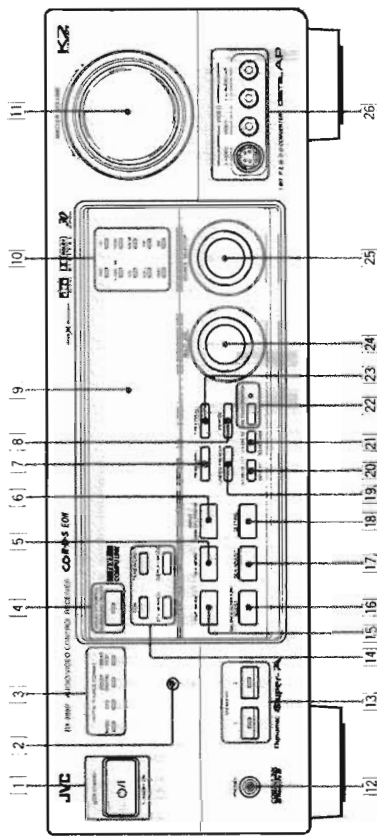
Italiano

Table of Contents

- Parts Identification** 2
- Getting Started** 3
 - Before Installation 3
 - Checking the Supplied Accessories 3
 - Connecting the FM and AM (MW/IW) Antennas 3
 - Connecting the Speakers 4
 - Connecting Audio/Video Components 5
 - Connecting the Power Cord 8
 - Putting Batteries in the Remote Control 8
- Basic Operations** 9
 - Turning the Power On and Off (Standby) 9
 - Selecting the Source to Play 9
 - Adjusting the Volume 10
 - Selecting the Front Speakers 10
 - Muting the Sound 11
 - Listening at Low Volume (Loudness) 11
 - Attenuating the Input Signal 11
 - Adjusting the Subwoofer Output Level 11
- Basic Settings** 12
 - Recording a Source 12
 - Adjusting the Front Speaker Output Balance 12
 - Changing the Source Name 12
 - Setting the Subwoofer Information 12
 - Digital Input (DIGITAL IN) Terminal Setting 13
 - Selecting the Analog or Digital Input Mode 13
 - Showing the Text Information on the Display 13
 - Setting the Speakers for the DSP Modes 14
 - Storing the Basic Settings and Adjustments — One Touch Operation 16
 - Using the Sleep Timer 16
- Receiving Radio Broadcasts** 17
 - Tuning in Stations Manually 17
 - Using Preset Tuning 17
 - Selecting the FM Reception Mode 18
 - Assigning Names to Preset Stations 18
 - Using the RDS (Radio Data System) to Receive FM Stations 19
 - Searching for a Program by PTY Codes 19
 - Switching to a Broadcast Program of Your Choice Temporarily 21
- Using the SEA Modes** 22
 - Selecting Your Favorite SEA Mode 22
 - Creating Your Own SEA Mode 22
- Using the DSP Modes** 23
 - Available DSP Modes According to the Speaker Arrangement 25
 - Adjusting the 3D-PHONIC Modes 26
 - Adjusting the DAP Modes 27
 - Adjusting the Surround Modes 27
 - Activating the DSP Modes 30
- Using the DVD MULTI Playback Mode** 32
 - Activating the DVD MULTI Playback Mode 32
- Using the On-Screen Menus** 34
 - Selecting the Source to Play 34
 - Selecting Different Sources for Picture and Sound 34
 - Activating the DSP Modes 34
 - Adjusting the Front Speaker Output Balance 34
 - Listening at Low Volume (Loudness) 35
 - Attenuating the Input Signal 35
 - Adjusting the Subwoofer Output Level 35
 - Adjusting the DSP Modes 35
 - Activating the DVD MULTI Playback Mode 36
 - Selecting Your Favorite SEA Mode 36
 - Creating Your Own SEA Mode 37
 - Setting the Basic Setting Items 37
 - Operating the Tuner 37
 - Storing the Preset Stations 38
 - Assigning Names to Preset Stations 38
- COMPU LINK Remote Control System** 39
- TEXT COMPU LINK Remote Control System** .. 40
 - Showing the Disc Information on the TV Screen 41
 - Searching for a Disc (Only for the CD player) 42
 - Entering the Disc Information 43
- Operating JVC's Audio/Video Components** ... 45
- Operating Other Manufacturers' Video Equipment** 47
- Troubleshooting** 54
- Specifications** 55

Parts Identification

Become familiar with the buttons and controls on the receiver before use. Refer to the pages in parentheses for details.

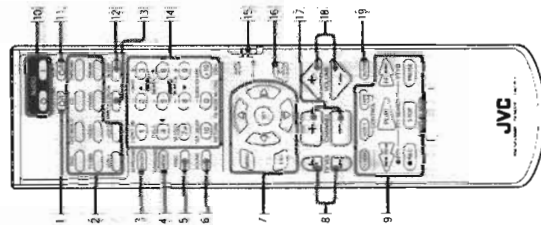


Front Panel

- 1 STANDBY/ON button and STANDBY lamp (9)
 - 2 Remote sensor (8)
 - 3 DIGITAL SOURCE FORMAT Lamps (10)
 - 4 MPEEG, DTS, DOLBY DIGITAL, LINEAR PCM
 - 5 DOLBY/DTS/MPEG SURROUND ON/OFF button and lamp (30)
 - 6 SEA MODE button (22)
 - 7 INPUT ANALOG/DIGITAL button (13)
 - 8 FM/TUNING button (17)*
 - 9 FM MODE button (18)
 - 10 Display (9)
 - 11 MASTER VOLUME control (10)
 - 12 PHONES jack (11)
 - 13 SPEAKERS I/2 buttons and lamps (10)
 - 14 RDS operation buttons (19 - 21)
 - 15 EOM, TANEWS/INFO, PTY, SEARCH, DISPLAY MODE
 - 16 DSP MODE button (26)
 - 17 BALANCE/SURROUND ADJUST button (11, 12, 26)*
 - 18 SEA ADJUST button (22)*
 - 19 SETTING button (12 - 15)*
 - 20 TUNER/SEA MEMORY button (17, 18, 22)
 - 21 SOUND SELECT/INPUT ATT button (10, 11)
 - 22 LOUDNESS/SOURCE NAME button (11, 12)
 - 23 ONE TOUCH OPERATION button and lamp (16)
 - 24 TUNER PRESET button (18)*
 - 25 MULTIJOG control
- What this control actually does depends on which function you are trying to adjust. Before using this control, select the function by pressing one of the buttons marked with *

Remote Control

- 1 TV/CATV/DBS button (46 - 48)
- 2 Source selecting buttons (9)
- 3 DVD, DVD MULTI, CD, TAPE/MD, TV/DBS, VIDEO, PHONO, FM/AM, VCR 1, VCR 2
- 4 SURROUND ON/OFF button (30)
- 5 SURROUND MODE button (26)
- 6 DISK button (45)
- 7 SOUND button (22, 26)
- 8 On-screen operation buttons (14, 41)
- 9 MENU, SET, EXIT, Δ, ∇, ◀, ▶, ○
- 10 TV VOL +/- buttons (46, 47)
- 11 RDS operation buttons (19 - 20)
- 12 PTY SEARCH, PTY -/4, DISPLAY MODE
- 13 Operating buttons for audio/video components (45 - 48)
- 14 AUDIO buttons (9)
- 15 VCR 1 button (46, 48)
- 16 SLEEP button (16)
- 17 ANALOG/DIGITAL button (13)
- 18 * 10 keys for selecting preset channel (18)
- 19 * 10 keys for adjusting sound (26 - 29, 33)
- 20 * 10 keys for operating audio/video components (45 - 48)
- 21 Remote control mode selector (9, 45, 47)
- 22 TEXT DISPLAY button (41)
- 23 CHANNEL +/- button (46 - 48)
- 24 VOLUME +/- button (10)
- 25 MUTING button (11)



- 25 SOURCE SELECTOR control (9)
- 26 VIDEO input jack (17)

Getting Started

This section explains how to connect audio/video components and speakers to the receiver, and how to connect the power supply.

Before Installation

General

- Be sure your hands are dry.
- Turn the power off to all components.
- Read the manuals supplied with the components you are going to connect.

Locations

- Install the receiver in a location that is level and protected from moisture.
- The temperature around the receiver must be between -5° and 35° C (23° and 95° F).
- Make sure there is good ventilation around the receiver. Poor ventilation could cause overheating and damage to the receiver.

Handling the receiver

- Do not insert any metal object into the receiver.
- Do not disassemble the receiver or remove screws, covers, or cabinet.
- Do not expose the receiver to rain or moisture.

Checking the Supplied Accessories

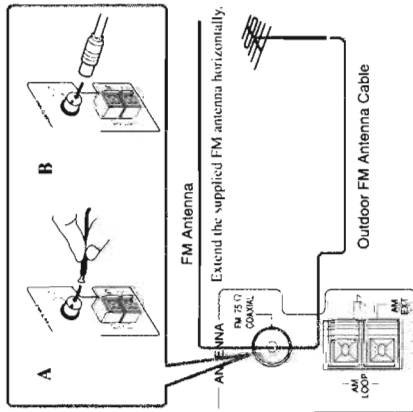
Check to be sure you have all of the following items, which are supplied with the receiver. The number in the parentheses indicates quantity of the pieces supplied.

- Remote Control (1)
- Batteries (2)
- AM (MW/LW) Loop Antenna (1)
- FM Antenna (1)

If anything is missing, contact your dealer immediately.

Connecting the FM and AM (MW/LW) Antennas

FM Antenna Connections



A. Using the Supplied FM Antenna

The FM antenna provided can be connected to the FM 75Ω COAXIAL terminal as temporary measure.

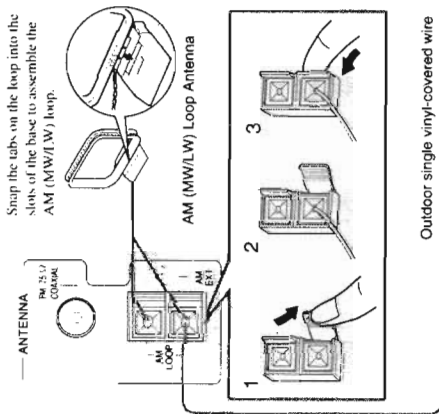
B. Using the Standard Type Connector (Not Supplied)

A standard type connector (IEC or DIN45325) should be connected to the FM 75Ω COAXIAL terminal.

Note:

If reception is poor, connect the outdoor antenna. Before attaching a 75Ω coaxial cable (the kind with a round wire going to an outdoor antenna), disconnect the supplied FM antenna.

AM (MW/LW) Antenna Connections



Turn the loop until you have the best reception.

Notes:

- Make sure the antenna conductors do not touch any other terminals, connecting cards and power cord. This could cause poor reception.
- If reception is poor, connect an outdoor single vinyl-covered wire to the AM EXT terminal. (Keep the AM (MW/LW) loop antenna connected.)

Connecting the Speakers

You can connect the following speakers:

- Two pairs of front speakers to produce normal stereo sound.
- One pair of rear speakers to enjoy the surround effect.
- One center speaker to produce more effective surround effect (to emphasize human voices).
- One subwoofer to enhance the bass.

IMPORTANT:

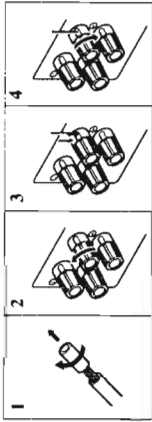
After connecting the speakers listed above, set the speaker setting information properly to obtain the best possible DSP effect. For details, see page 14.

For each speaker (except for a subwoofer), connect the (-) and (+) terminals on the rear panel to the (-) and (+) terminals marked on the speakers. For connecting a subwoofer, see page 5.

CAUTION:

Use speakers with the SPEAKER IMPEDANCE indicated by the speaker terminals.

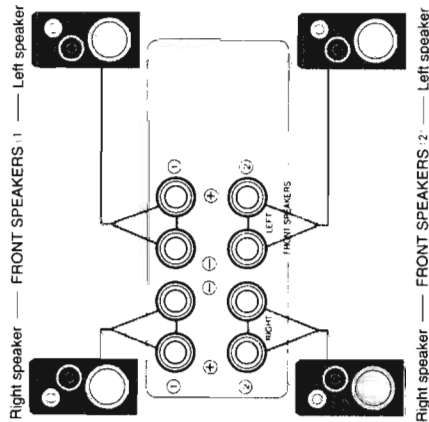
Basic connecting procedure



- 1 Cut, twist and remove the insulation at the end of each speaker signal cable (not supplied).
- 2 Turn the knob counterclockwise.
- 3 Insert the speaker signal cable.
- 4 Turn the knob clockwise.

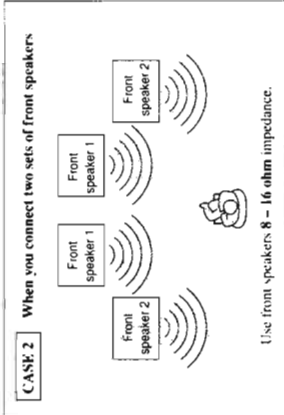
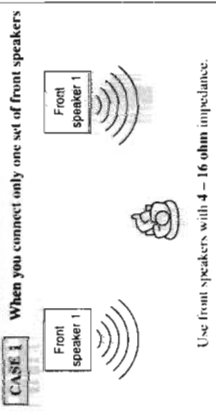
Connecting the front speakers

You can connect two pairs of front speakers (one pair to the FRONT SPEAKERS 1 terminals, and another pair to the FRONT SPEAKERS 2 terminals).



About the speaker impedance

The required speaker impedance of the front speakers does differ depending on whether both the FRONT SPEAKERS 1 and FRONT SPEAKERS 2 terminals are used or only one of them is used.

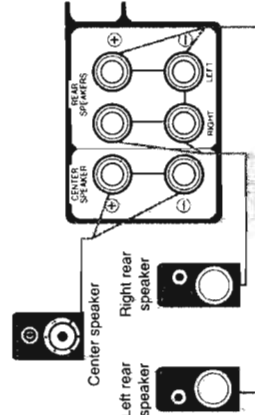


CAUTION:

Use speakers with the SPEAKER IMPEDANCE indicated by the speaker terminals.

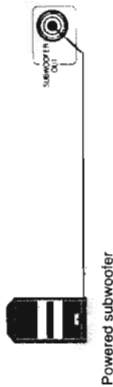
Connecting the rear and center speakers

Connect rear speakers to the REAR SPEAKERS terminals and a center speaker to the CENTER SPEAKER terminals.



Connecting the subwoofer speaker

You can enhance the bass by connecting a subwoofer. Connect the input jack of a powered subwoofer to the SUBWOOFER OUT jack on the rear panel, using a cable with RCA pin plugs (not supplied).



Connecting Audio/Video Components

You can connect the following audio/video components to this receiver. Refer also to the manuals supplied with your components.

Audio Components	Video Components
• Turntable	• DVD player*
• CD player*	• TV
• Cassette deck or MD recorder*	• DBS tuner*
	• VCRs
	• Video camera

* You can connect these components using the methods described in "Analog connections" (below) or in "Digital connections" (see page 8).

Analog connections

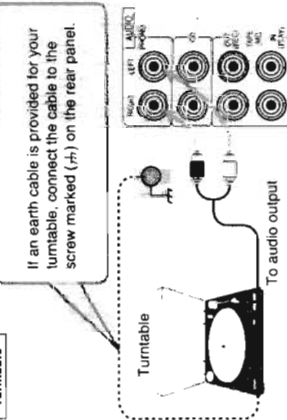
Audio component connections

Use the cables with RCA pin plugs (not supplied). Connect the white plug to the audio left jack, and the red plug to the audio right jack.

CAUTION:

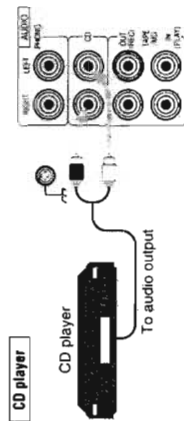
If you connect a sound-enhancing device such as a graphic equalizer between the source components and this receiver, the sound output through this receiver may be distorted.

Turntable

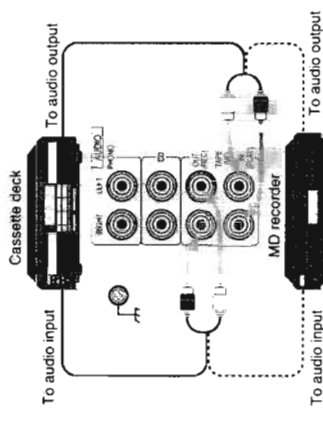


Note:

Any turntables incorporating a small-output cartridge such as an MC (moving-coil type) must be connected to this receiver through a commercial head amplifier or step-up transformer. Direct connection may result in insufficient volume.



Cassette deck or MD recorder



Note:

You can connect either a cassette deck or an MD recorder to the TAPE/MD jacks. When connecting an MD recorder to the TAPE/MD jacks, change the source name, which will be shown on the display when selected as the source, to "MD". See page 12 for details.

If your audio components have a COMPU LINK-3 or TEXT COMPU LINK terminal

- See also page 39 for detailed information about the connection and the COMPU LINK-3 remote control system.
- See also page 40 for detailed information about the connection and the TEXT COMPU LINK remote control system.

Video component connections

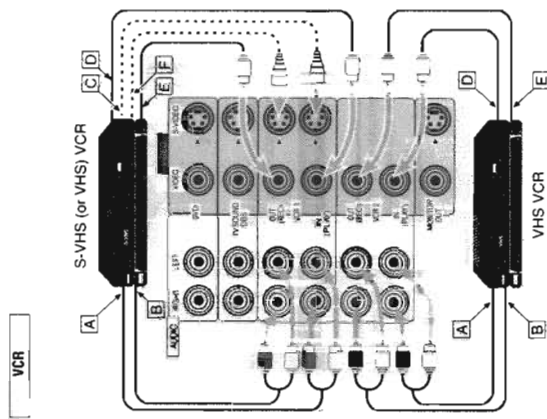
Use the cables with RCA pin plugs (not supplied). Connect the white plug to the audio left jack, the red plug to the audio right jack, and the yellow plug to the video jack. If your video components have S-video (Y/C-separation) terminals, connect them using S-video cables (not supplied). Connecting these video components through the S-video input/output terminals will give you better picture playback (or recording) quality.

IMPORTANT:

This receiver is equipped with both the composite video and S-video input/output terminals for connecting video components. You do not have to connect both the composite video and S-video terminals.

However, remember that the video signals from the composite video input terminals are output only through the composite video output terminals, while the ones from the S-video input terminals are output only through the S-video output terminals. Therefore, if a recording video component and a playing video component are connected to the receiver through the different video terminals, you cannot record the picture from the playing component on the recording component. In addition, if the TV and a playing video component are connected to the receiver through the different video terminals, you cannot view the playback picture from the playing component on the TV.

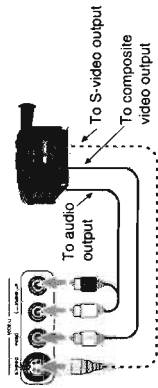
To view and record the playback picture from the video component connected to the VCR 2 jacks, you must connect the TV and the recording video component through the composite video terminals.



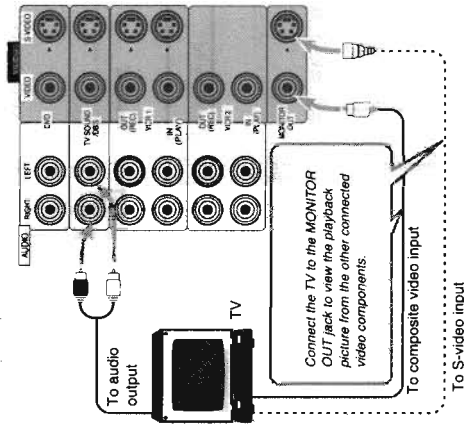
- A To left/right channel audio output
- B To left/right channel audio input
- C To S-video output
- D To composite video output
- E To composite video input
- F To S-video input

Video camera

The VIDEO jacks on the front panel is convenient when connecting and disconnecting the equipment frequently.



TV and/or DBS tuner



Notes:

- Use a TV of the PAL- or multi-color system.
- When connecting the TV to the TV SOUND/DBS jacks, DO NOT connect the TV's video output to these video input terminals.

Digital connections

This receiver is equipped with three DIGITAL IN terminals — one digital coaxial terminal and two digital optical terminals. You can connect any component to any one of the digital terminals using the digital coaxial cable (not supplied) or digital optical cable (not supplied).

IMPORTANT:

- When connecting the DVD player or the DBS tuner using the digital terminal, you also need to connect it to the video jack (either composite video terminal or S-video terminal) on the rear. Without connecting it to the video jack, you can view no playback picture.
- After connecting the components using the DIGITAL IN terminals, see the following correctly if necessary.
 - Select the digital input mode correctly. For details, see "Selecting the Analog or Digital Input Mode" on page 13.
 - Set the digital input (DIGITAL IN) terminal setting correctly. For details, see "Digital Input (DIGITAL IN) Terminal Setting" on page 13.



When the component has a digital coaxial output terminal, connect it to the DIGITAL 1 (DBS) terminal, using the digital coaxial cable (not supplied).

When the component has a digital optical output terminal, connect it to the DIGITAL 2 (DVD) or DIGITAL 3 (CD) terminal, using the digital optical cable (not supplied).

Before connecting a digital optical cable, unplug the protective plug.

Notes:

- When shipped from the factory, the DIGITAL IN terminals has been set for use with the following components.
 - DIGITAL 1 (coaxial): For DBS tuner
 - DIGITAL 2 (optical): For DVD player
 - DIGITAL 3 (optical): For CD player
- When you want to operate the CD player or MD recorder using the COMPU LINK remote control system, connect the target component also as described in "Analog connections" (see page 6).
- When you want to operate the DVD player using the AV COMPU LINK remote control system, connect the DVD player also as described in "Analog connections" (see page 7).

Connecting the Power Cord

Before plugging the receiver into an AC outlet, make sure that all connections have been made.

Plug the power cord into an AC outlet.

Keep the power cord away from the connecting cables and the antenna. The power cord may cause noise or screen interference. We recommend that you use a coaxial cable to connect the antenna, since it is well-shielded against interference.

Note:

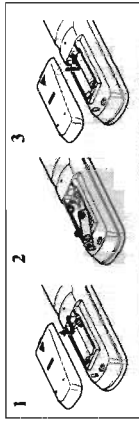
- The preset settings such as preset channel and sound adjustment may be erased in a few days in the following cases:
- When you unplug the power cord.
 - When a power failure occurs.

CAUTIONS:

- Do not touch the power cord with wet hands.
- Do not pull on the power cord to unplug the cord. When unplugging the cord, always grasp the plug so as not to damage the cord.

Putting Batteries in the Remote Control

Before using the remote control, put two supplied batteries first. When using the remote control, aim the remote control directly at the remote sensor on the receiver.



1. On the back of the remote control, remove the battery cover.
2. Insert batteries. Make sure to match the polarity: (+) to (+).
3. Replace the cover.

If the range or effectiveness of the remote control decreases, replace the batteries. Use two R6/PSUM-3/AAA(LFP) type dry-cell batteries.

CAUTION:

- Follow these precautions to avoid leaking or cracking cells.
- Place batteries in the remote control so they match the polarity: (+) to (+).
 - Use the correct type of batteries. Batteries that look similar may differ in voltage.
 - Always replace both batteries at the same time.
 - Do not expose batteries to heat or flame.

When connecting the DBS tuner to the TV SOUND/DBS jacks, change the source name, which will be shown on the display when selected as the source, to "DBS". See page 12 for details.

Basic Settings

Some of the following settings are required after connecting and positioning your speakers in your listening room, while others will make operations easier.

Attenuating the Input Signal

When the input level of the playing source is too high, the sounds will be distorted. If this happens, you need to attenuate the input signal level to prevent the sound distortion.

On the front panel ONLY:

Press and hold INPUT ATT (SOUND SELECT) so that the ATT indicator lights up on the display.

- Each time you press and hold the button, the Input Attenuator mode turns on ("INPUT ATT ON") or off ("INPUT NORMAL").

Notes:

- This function is available only for the sources connected using the analog terminals.
- This function takes effect when the DSP mode is in use.
- When selecting "DVD MULTI" as the source, this effect does not work.

Adjusting the Subwoofer Output Level

You can adjust the subwoofer output level if you have selected "YES" for the "SUBWOOFER" (see page 12). Once it has been adjusted, the receiver memorizes the adjustment.

Before you start, remember....

- There is a time limit in doing the following steps. If the setting is canceled before you finish, start from step 1 again.

On the front panel:

1. Press BALANCE/SURROUND ADJUST repeatedly until "SUBWFR LEVEL" appears on the display.

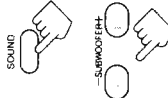
The display changes to show the current setting.

2. Turn MULTI JOG to adjust the subwoofer output level (-10 dB to +10 dB).

From the remote control:

1. Press SOUND. The 10 keys are activated for sound adjustments.

2. Press SUBWOOFER +/- to adjust the subwoofer output level (-10 dB to +10 dB).



Listening only with headphones

- Connect a pair of headphones to the PHONES jack on the front panel.
- Press SPEAKERS 1 and/or 2 so that no lamps on the buttons are turned on.

CAUTION:

Be sure to turn down the volume before connecting or putting on headphones, as high volume can damage both the headphones and your hearing.

Muting the Sound

From the remote control ONLY:

Press MUTING to mute the sound through all speakers and headphones connected. "MUTING" appears on the display and the volume turns off (the volume level indicator goes off).

To restore the sound, press MUTING again so that "OFF" appears on the display.

- Turning MASTER VOLUME on the front panel or pressing VOLUME +/- on the remote control also restores the sound.

Listening at Low Volume (Loudness)

Human ears are not sensitive to bass at low volume. To compensate for this, the loudness function automatically boosts the bass level as you lower the volume.

On the front panel ONLY:

Press LOUDNESS (SOURCE NAME) briefly to select the loudness function.

- Each time you press the button, the loudness function turns on ("LOUDNESS ON") and off ("LOUDNESS OFF").
- Select "LOUDNESS ON" to activate the loudness function. The LOUDNESS indicator lights up on the display.
- Select "LOUDNESS OFF" to cancel it.
- The indicator goes off.

Note:

The loudness function affects the front speaker sounds only.

IMPORTANT:

When using the remote control, check to see if its remote control mode selector is set to the correct position:

To operate this receiver, set it to "AUDIO/TV/VCR" (except when selecting the DBS tuner as the source).



Recording a Source

You can record any source playing through the receiver to a cassette deck (or an MD recorder) connected to the TAPE/MD jacks and the VCR, connected to the VCR 1 and VCR 2 jacks, at the same time.

While recording, you can adjust the volume level, without affecting the sound levels of the recording.

IMPORTANT:

- Before recording a digital source, turn off the DSP mode (see page 23).
- While recording a digital source, do not change the SEA mode (see page 22) or DSP mode (see page 23); otherwise, recording will be interrupted.

Note:

The SEA modes and DSP modes cannot affect the recording while recording an analog source.

Adjusting the Front Speaker Output Balance

If the sounds you hear from the front right and left speakers are unequal, you can adjust the speaker output balance.

Before you start, remember....

- There is a time limit in doing the following steps. If the setting is canceled before you finish, start from step 1 again.

On the front panel ONLY:

1. Press BALANCE/SURROUND ADJUST repeatedly until "L/R BALANCE" appears on the display.

The display changes to show the current setting.

2. Turn MULTI JOG to adjust the balance.

- Turning it clockwise decreases the left channel output.
- Turning it counterclockwise decreases the right channel output.



Changing the Source Name

When you have connected an MD recorder to the TAPE/MD jacks or the DBS tuner to the TV SOUND/DBS jacks on the rear panel, change the source name shown on the display when you select the MD recorder or DBS tuner as the source.

On the front panel ONLY:

1. When changing the source name from "TAPE" to "MD":

- Turn SOURCE SELECTOR until "TAPE" appears.

When changing the source name from "TV SOUND" to "DBS":

- Turn SOURCE SELECTOR until "TV SOUND" appears.

2. Press and hold SOURCE NAME (LOUDNESS) until "ASSGN. MD" or "ASSGN. DBS" appears on the display.



To change the source name to "TAPE" or "TV SOUND," repeat the same procedure above — in step 1, select "MD" or "DBS," then press and hold SOURCE NAME (LOUDNESS).

Note:

- Without changing the source name, you can still use the connected components. However, there may be some inconvenience.
- "TAPE" or "TV SOUND" will appear on the display when you select the MD recorder or DBS tuner.
- You cannot use the digital input (see page 13) for the MD recorder and the DBS tuner.
- You cannot use the COMFU LINK remote control system (see page 39) to operate the MD recorder.

Setting the Subwoofer Information

Register whether or not you have connected a subwoofer.

Before you start, remember....

- There is a time limit in doing the following steps. If the setting is canceled before you finish, start from step 1 again.

On the front panel ONLY:

1. Press SETTING repeatedly until "SUBWOOFER" appears on the display.

The display changes to show the current setting.

2. Turn MULTI JOG to register whether you have connected a subwoofer or not.

- As you turn it, the subwoofer setting alternates between "YES" or "NO."

YES: Select this when a subwoofer is used.

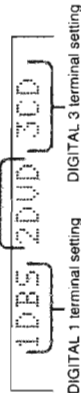
NO: Select this when no subwoofer is used.

Digital Input (DIGITAL IN) Terminal Setting

When you use the digital input terminals, you have to register what components are connected to which terminals (DIGITAL IN 1/2/3).

Before you start, remember...
 • There is a time limit in doing the following steps. If the setting is canceled before you finish, start from step 1 again.

On the front panel ONLY:
 1. Press SETTING repeatedly until "DIGITAL IN" appears on the display.
 The display changes to show the current setting:
 DIGITAL 2 terminal setting



2. Turn MULTI JOG to select the appropriate digital terminal setting.
 • As you turn it, the display changes to show the following:

1 DBS 2 DVD 3 CD	1 MD 2 DVD 3 CD
1 MD 2 DBS 3 CD	1 MD 2 DBS 3 DVD
1 CD 2 DVD 3 MD	1 CD 2 DBS 3 MD
1 CD 2 DBS 3 DVD	1 DVD 2 CD 3 MD
1 DVD 2 DBS 3 MD	1 DVD 2 DBS 3 CD
1 DBS 2 CD 3 MD	1 DBS 2 DVD 3 MD

(back to the beginning!)

Note:
 When shipped from the factory, the DIGITAL IN terminals can be used as the digital input for the following components.
 • DIGITAL 1 (factory): For DBS tuner
 • DIGITAL 2 (factory): For DVD player
 • DIGITAL 3 (factory): For CD player

Selecting the Analog or Digital Input Mode

When you have connected some components such as CD player, MD recorder, DVD player and the DBS tuner using digital terminals (see page 8), you need to change the input mode for these components to the digital input.

On the front panel:
 1. Turn SOURCE SELECTOR until the source (CD, MD, DBS, or DVD) for which you want to change the input mode from analog input to digital input appears on the display.

Press INPUT ANALOG/DIGITAL to change the input mode.

• Each time you press the button, the input mode alternates between the digital input and analog input.

From the remote control:
 1. Press the source selecting button (CD, TAPE/MD, TV/DBS, or DVD) for which you want to change the input mode from analog input to digital input.

2. Press ANALOG/DIGITAL to change the input mode.
 • Each time you press the button, the input mode alternates between the digital input and analog input.

Notes:
 • Before pressing TV/DBS, make sure that the remote control mode selector on the remote control is set to "CATV/DBS".
 • Once you have set the digital input for these components, it is always used every time you select these components as the source.

Showing the Text Information on the Display

When you have connected an MD recorder or CD player equipped with TEXT COMPUTELINK remote control system (see page 40), you can show the text information, such as disc title or track title, on the display of this receiver. To show it on the display, follow the procedure below.

Before you start, remember...
 • There is a time limit in doing the following steps. If the setting is canceled before you finish, start from step 1 again.

On the front panel ONLY:
 1. Press SETTING repeatedly until "FL DISPLAY" appears on the display.
 The display changes to show the current setting.

2. Turn MULTI JOG to select either the source name or the text information to be shown on the display.
 • As you turn it, the display changes to show the following:
 NORMAL → TEXT

NORMAL: Source name appears during play.
TEXT: Text information appears during play.

Notes:
 • Though you have selected "TEXT," the source name such as "CD" or "MD" appears if a playing disc has no text information.
 • Though you have selected "NORMAL," the setting is changed to "TEXT" in the following case:
 - If the power failure occurs.
 - If you unplug the AC power cord.

Setting the Speakers for the DSP Modes

To obtain the best possible surround sound of the DSP modes, you have to register the information about the speakers arrangement after all connections are completed.

Before you start, remember...
 • There is a time limit in doing the following steps. If the setting is canceled before you finish, start from step 1 again.

Front, Center, and Rear Speaker Setting
 Register the sizes of all the connected speakers.
 • When you change your speakers, you need to register the information about the speakers again.

On the front panel ONLY:
 1. Press SETTING repeatedly until "FRONT SPK" (Front Speaker), "CENTER SPK" (Center Speaker) or "REAR SPK" (Rear Speaker) appears on the display.
 The display changes to show the current setting.

2. Turn MULTI JOG to select the appropriate item about the speaker selected in the above step.
 • As you turn it, the display changes to show the following:
 LARGE → SMALL → NONE

LARGE: Select this when the speaker size is relatively large.
SMALL: Select this when the speaker size is relatively small.
NONE: Select this when you have not connected a speaker (Not selectable for the front speakers)

3. Repeat steps 1 and 2 to select the appropriate items for the other speakers.

Notes:
 • Keep the following comment in mind as reference when adjusting:
 - If the size of the cone speaker unit built in your speaker is greater than 12 cm (4 7/8 inches), select "LARGE," and if it is smaller than 12 cm (4 7/8 inches), select "SMALL."
 • If you have selected "NO" for the subwoofer setting, you can only select "LARGE" for the front speaker setting.
 • If you have selected "SMALL" for the front speaker setting, you cannot select "LARGE" for the center and rear speaker settings.

Center Delay Time Setting

Register the delay time of the sound from the center speaker, comparing that of the sound from the front speakers. If the distance from your listening point to the center speaker is equal to that to the front speakers, select 0 msec. As the distance to the center speaker becomes shorter, increase the delay time.
 • 1 msec increase (or decrease) in delay time corresponds to .30 cm (1 1/8 inches) decrease (or increase) in distance.
 • When shipped from the factory, delay time is set to 0 msec.

On the front panel ONLY:
 1. Press SETTING repeatedly until "CENTER DELAY" appears on the display.
 The display changes to show the current setting.

2. Turn MULTI JOG to select the delay time of the center speaker output.
 • Turn it clockwise to increase the delay time from 0 msec ("C. DELAY: 0ms") to 5 msec ("C. DELAY: 5ms").
 • Turn it counterclockwise to decrease the delay time from 5 msec ("C. DELAY: 5ms") to 0 msec ("C. DELAY: 0ms").

Note:
 Center delay time setting is not valid for the DVD MULTI playback mode.

Rear Delay Time Setting

Register the delay time of the sound from the rear speakers, comparing that of the sound from the front speakers. If the distance from your listening point to the rear speakers is equal to that to the front speakers, select 0 msec. As the distance to the rear speakers becomes shorter, increase the delay time.
 • 1 msec increase (or decrease) in delay time corresponds to .30 cm (1 1/8 inches) decrease (or increase) in distance.
 • Rear delay time for Dolby Digital, DTS Digital Surround, and MPEG Multichannel is to be set to 5 msec.
 • When shipped from the factory, delay time is set to 5 msec.

On the front panel ONLY:
 1. Press SETTING repeatedly until "REAR DELAY" appears on the display.
 The display changes to show the current setting.

2. Turn MULTI JOG to select the delay time of the rear speaker output.
 • Turn it clockwise to increase the delay time from 0 msec ("R. DELAY: 0ms") to 15 msec ("R. DELAY: 15ms").
 • Turn it counterclockwise to decrease the delay time from 15 msec ("R. DELAY: 15ms") to 0 msec ("R. DELAY: 0ms").

Note:
 Rear delay time setting is not valid for the DVD MULTI playback mode.

Crossover Frequency Setting

Small speaker cannot reproduce the bass sound very well. So, if you have used a small speaker any for the front, center, or rear channels, this receiver automatically reallocate the bass elements, originally assigned to the channel for which you have connected the small speaker, to another channel (for which you have connected the large speaker).

To use this function properly, you need to set this crossover frequency level according to the size of the small speaker connected.

- This function takes effect only when playing back a source using Dolby Pro Logic, Dolby Digital, DTS Digital Surround, or MPEG Multichannel. However, if you have selected "LARGE" for all speakers (see page 14), this function will not take effect.

On the front panel ONLY:

1. Press SETTING repeatedly until "CROSSOVER FRQ" (Crossover Frequency) appears on the display.
The display changes to show the current setting.

2. Turn MULTI JOG to select the crossover frequency level according to the size of the small speaker connected.

- As you turn it, the display changes to show the following:
→ 80Hz → 100Hz → 120Hz →
- Use the following comments as reference when adjusting:
80Hz: Select this when the cone speaker unit built in the speaker is about 12 cm (4 7/8 inches).
100Hz: Select this when the cone speaker unit built in the speaker is about 10 cm (3 7/8 inches).
120Hz: Select this when the cone speaker unit built in the speaker is about 8 cm (3 1/8 inches).

Note:
Crossover frequency setting is not valid for the DVD MULTI playback mode.

Low Frequency Effect Attenuator Setting

If the bass sound is distorted while playing back a source using Dolby Digital, DTS Digital Surround, or MPEG Multichannel, follow the procedure below.

On the front panel ONLY:

1. Press SETTING repeatedly until "LFE ATT" (Low Frequency Effect Attenuator) appears on the display.
The display changes to show the current setting.

2. Turn MULTI JOG to select the low frequency effect attenuator level.

- As you turn it, the display changes to show the following:
0dB → 10dB
- 0dB:** Normally select this.
- 10dB:** Select this when the bass sound is distorted.

Note:
Low frequency effect attenuator setting is not valid for the DVD MULTI playback mode.

Dynamic Range Compression Setting

You can compress the dynamic range (difference between maximum sound and minimum sound) of the reproduced sound. This is useful when enjoying surround sound at night.

- This function takes effect only when playing back a source using Dolby Digital.

On the front panel ONLY:

1. Press SETTING repeatedly until "D. RANGE COMP" (Dynamic Range Compression) appears on the display.
The display changes to show the current setting.

2. Turn MULTI JOG to select the appropriate item about the compression level.

- As you turn it, the display changes to show the following:
→ OFF → MID → MAX →

- OFF:** Select this when you want to enjoy surround with its full dynamic range. (No effect applied.)
- MID:** Select this when you want to reduce the dynamic range a little. (Factory setting)
- MAX:** Select this when you want to apply the compression effect fully. (Useful at night)

Note:
Dynamic Range Compression setting is not valid for the DTS Digital Surround, MPEG Multichannel, and DVD MULTI playback mode.

Storing the Basic Settings and Adjustments — One Touch Operation

JVC's One Touch Operation function is used to assign and store different sound settings for each different playing source. By using this function, you do not have to change the settings every time you change the source. The stored settings for the newly selected source are automatically recalled.

- The following can be stored for each source:
- Volume level (see page 10)
- Loudness (see page 11)
- Input attenuator mode (see page 11)
- Subwoofer output level (see page 11)
- Balance (see page 12)
- Analog/digital input mode (see page 13)
- SEA modes (see page 22)
- DSP modes
- 3D-PHONIC mode settings (see page 26)
- DAP mode settings (see page 26)
- Surround mode settings (see page 27)
- DVD MULTI playback mode settings (see page 32)

On the front panel ONLY:

To store the sound settings
1. Press ONE TOUCH OPERATION.
The ONE TOUCH OPERATION lamp lights up, then the previously memorized settings are recalled.

2. Adjust the sound using the functions listed above.
The newly adjusted settings are memorized.

To recall the sound settings
With the ONE TOUCH OPERATION lamp lit, the settings for the currently selected source are recalled when the source is selected.

To cancel the One Touch Operation function

Press ONE TOUCH OPERATION so that the lamp goes off. (Even though the One Touch Operation function is canceled, the recalled sound effects remain active.)

Notes:

- If the source is FM or AM (MW/LW), you can assign a different setting for each band.
- The DSP modes and DVD MULTI playback mode cannot be used at the same time.

Using the Sleep Timer

Using the Sleep Timer, you can fall asleep to music and know the receiver will turn off by itself rather than play all night.

From the remote control ONLY:

Press SLEEP repeatedly. The SLEEP indicator lights up on the display, and the shut-off time changes as follows (in minutes):
10 — 20 — 30 — 40 — 50 — 60 — 70 — 80 — 90 — 00 (Canceled)

When the shut-off time comes

The receiver turns off automatically.

To check or change the time remaining until the shut-off time

Press SLEEP once.
The remaining time until the shut-off time appears, in minutes.

- To change the shut-off time, press SLEEP repeatedly.

To cancel the Sleep Timer

Press SLEEP repeatedly until "SLEEP 00min." appears on the display. (The SLEEP indicator goes off.)

- Turning off the power also cancels the Sleep Timer.

Receiving Radio Broadcasts

You can browse through all the stations or use the preset function to go immediately to a particular station.

IMPORTANT:

When using the remote control, check to see if its remote control mode selector is set to the correct position:

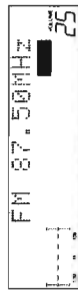


To operate this receiver, set it to "AUDIO/TV/VCR" (except when selecting the DES tuner as the source).

Tuning in Stations Manually

On the front panel ONLY:

1. Turn SOURCE SELECTOR to select the band (FM or AM — MW/LW).
The last received station of the selected band is tuned in.



2. Press FM/AM TUNING.

3. Turn MULTI JOG until you find the frequency you want.

- Turning it clockwise increases the frequency.
- Turning it counterclockwise decreases the frequency.
- When you turn MULTI JOG quickly, the frequency keeps changing until a station is tuned in.

Note:

When a station of sufficient signal strength is tuned in, the TUNED indicator lights up on the display.
When an FM stereo program is received, the STEREO indicator also lights up.

Using Preset Tuning

Once a station is assigned to a channel number, the station can be quickly tuned. You can preset up to 30 FM and 15 AM (MW/LW) stations.

To store the preset stations

- Before you start, remember...
There is a time limit in doing the following steps. If the setting is canceled before you finish, start from step 1 again.

On the front panel ONLY:

1. Tune in the station you want to preset (see "Tuning in Stations Manually").

- If you want to store the FM reception mode for this station, select the FM reception mode you want. See "Selecting the FM Reception Mode" on page 18.



2. Press TUNER/SEA MEMORY.

3. Turn MULTI JOG to select a channel number while the channel number position is flashing.

Note:

You can use the 10 keys on the remote control to select the preset number. When using the 10 keys, be sure that they are activated for the tuner, not for the CD and others. (See page 45.)

4. Press TUNER/SEA MEMORY again while the selected channel number is flashing on the display.

The selected channel number stops flashing. The station is assigned to the selected channel number.



5. Repeat steps 1 to 4 until you store all the stations you want.

To erase a stored preset station
Storing a new station on a used number erases the previously stored one.

To tune in a preset station

On the front panel:

1. Turn SOURCE SELECTOR to select the band (FM or AM — MW/LW).
The last received station of the selected band is tuned in.

2. Press TUNER PRESET.

3. Turn MULTI JOG until you find the channel you want.

- Turning it clockwise increases the channel numbers.
- Turning it counterclockwise decreases the channel numbers.

From the remote control:

1. Press FM/AM.

- Each time you press the button, the band alternates between FM and AM (MW/LW).

2. Press the 10 keys to select a preset channel number.

- For channel number 5, press 5.
- For channel number 15, press +10 then 5.
- For channel number 20, press +10 then 10.
- For channel number 30, press +10, +10, then 10.

Note:

When you use the 10 keys on the remote control, be sure that they are activated for the tuner, not for the CD and others. (See page 45.)

Selecting the FM Reception Mode

When an FM stereo broadcast is hard to receive or noisy

You can change the FM reception mode while receiving an FM broadcast.

- You can store the FM reception mode for each preset station.

Press FM MODE on the front panel or FM MODE/MUTING on the remote control.

- Each time you press the button, the FM reception mode alternates between "AUTO" and "MONO."



On the front panel



On the remote control

AUTO: When a program is broadcasted in stereo, you will hear stereo sound; when in monaural, you will hear monaural sounds. This mode is also useful to suppress static noise between stations. The MUTE-AUTO indicator lights up on the display.

MONO: Reception will be improved although you will lose the stereo effect. In this mode, you will hear noise while tuning into the stations. The MUTE-AUTO indicator goes off on the display.

Note:
When using the FM MODE/MUTING button on the remote control, be sure that the 10 keys are activated for tuner, not for the CD and others. (See page 45.)

Assigning Names to Preset Stations

You can assign a name of up to four characters to each preset station. When a preset station is tuned in, its assigned name will appear on the display.

Before you start, remember...

- There is a time limit in doing the following steps. If the setting is canceled before you finish, start from step 1 again.
- You can use the following characters: Space, A - Z, and 0 - 9.

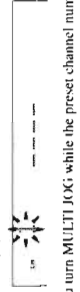
On the front panel ONLY:

1. Tune in a preset station.
See the left.

See the left.

2. Press TUNER/SEA MEMORY.

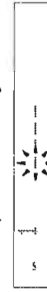
The preset channel number starts flashing for about 10 seconds.



- If you turn MULTI JOG while the preset channel number is flashing, you can change the preset channel number.

3. Press TUNER PRESET, while the preset channel number is flashing.

The first character position starts flashing.

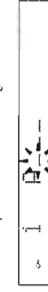


4. Turn MULTI JOG to select the first character, while the first character position is flashing.



5. Press TUNER PRESET, while a character you want is flashing.

The next character position starts flashing.



6. Repeat steps 4 and 5 to enter up to four characters.

7. Press TUNER/SEA MEMORY while the last selected character is flashing after you have assigned a name.

To erase the input characters

Insert spaces using the same procedure described above.

Using the RDS (Radio Data System) to Receive FM Stations

RDS allows FM stations to send an additional signal along with their regular program signals. For example, the stations send their station names, as well as information about what type of program they broadcast, such as sports or music, etc.

When tuned to an FM station which provides the RDS service, the RDS indicator lights up on the display.

With the receiver, you can receive the following types of RDS signals.

- PS (Program Service):** Shows commonly known station names.
- PTY (Program Type):** Shows types of broadcast programs
- RT (Radio Text):** Shows text messages the station sends
- EON (Enhanced Other Network):** See page 21.

Notes:

- RDS is not available for AM (MW/LW) broadcasts.
- RDS may not operate correctly if the station tuned is not transmitting RDS signal properly or if the signal strength is weak.

What information can RDS signals provide?

You can see the RDS signals the station sends on the display.

To show the RDS signal

Press **DISPLAY MODE** while listening to an FM station.



On the front panel

- Each time you press the button, the display changes to show you the following information:

PS (Program Service):

While searching, "PS" appears and then the station names will be displayed. "NO PS" appears if no signal is sent.

PTY (Program Type):

While searching, "PTY" appears and then the type of the broadcast program will be displayed. "NO PTY" appears if no signal is sent.

RT (Radio Text):

While searching, "RT" appears and then text messages the station sends will be displayed. "NO RT" appears if no signal is sent.

Frequency:

Station Frequency (non-RDS service)

Notes:

- When pressing **DISPLAY MODE** on the remote control, make sure that you have selected FM station using the remote control. If not, the **DISPLAY MODE** button does not work for tuner operation. (Pressing **FM/AM** activates the remote control for tuner operation.)
- If searching finishes at once, "PS", "PTY", and "RT" will not appear on the display.

You can also show the RDS information on the TV screen.

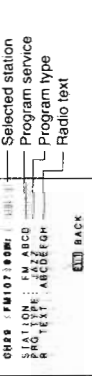
To use this function, you need to connect the TV to the MONITOR OUT jack on the rear panel (see page 7), and set the TV's input mode to the proper position to which the receiver is connected.

- When the TV's input mode is incorrect, for example, a different video input or TV tuner mode is selected, you cannot show the RDS information on the TV screen.



Press **TEXT DISPLAY** while listening to an FM station.

The following information appears on the TV screen.



To erase the RDS information, press **EXIT**.



Note:

- The on-screen display will disappear in the following case:
 - if no operation is done for about 10 minutes.
 - if you do any operation other than explained in this section.

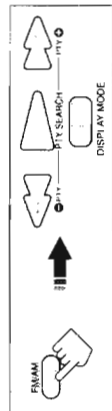
Searching for a Program by PTY Codes

One of the advantages of the RDS service is that you can locate a particular kind of program from the preset channels (see page 17) by specifying the PTY codes.

To search for a program using the PTY codes

Before you start, remember...

- The PTY Search is only applicable to preset stations.
- To stop searching any time during the process, press **PTY SEARCH** while searching.
- There is a time limit in doing the following steps. If the setting is cancelled before you finish, start from step 1 again.
- When pressing the buttons on the remote control, make sure that you have selected the FM station using the remote control. If not, the RDS operation buttons do not work for RDS operation. (Pressing **FM/AM** activates the remote control for RDS operation.)



On the front panel:

1. Press **PTY SEARCH** while listening to an FM station.

"PTY SELECT" flashes on the display.



2. Turn **MUJTI JOG** until the **PTY code** you want appears on the display, while "PTY SELECT" is flashing.
 - The display gives you the PTY codes described to the right.



3. Press **PTY SEARCH** again, while the **PTY code** selected in the previous step is still on the display.
 - While searching, "SEARCH" and the selected PTY code alternate on the display.
 - The receiver searches 30 preset FM stations, stops when it finds the one you have selected, and tunes in that station.



To continue searching after the first stop
Press **PTY SEARCH** again while the indications on the display are flashing.

If no program is found, "NOTFOUND" appears on the display.

From the remote control:

1. Press **PTY SEARCH** while listening to an FM station.
 - "PTY SELECT" flashes on the display.



2. Press and hold **PTY +/-** until the **PTY code** you want appears on the display, while "PTY SELECT" is flashing.
 - The display gives you the PTY codes described to the right.



3. Press **PTY SEARCH** again, while the **PTY code** selected in the previous step is still on the display.
 - While searching, "SEARCH" and the selected PTY code alternate on the display.
 - The receiver searches 30 preset FM stations, stops when it finds the one you have selected, and tunes in that station.



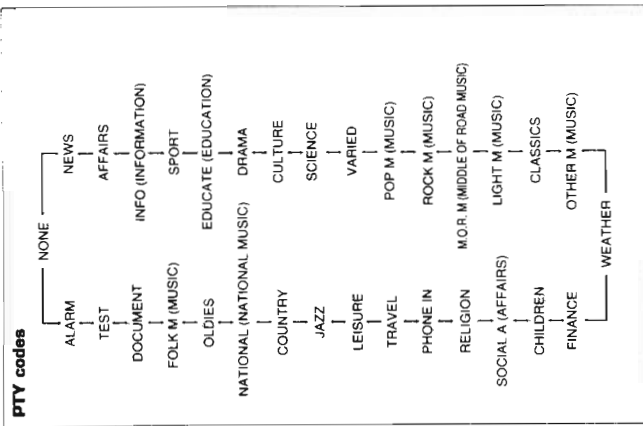
When an emergency broadcast (ALARM signal) is sent from an FM station:

The receiver automatically tunes in the station except in the following cases:

- When you are listening to non-RDS stations (all AM, MW/LW and some FM stations).
 - When the receiver is in standby mode.
- While receiving an emergency broadcast, "ALARM" appears on the display.

The **TEST** signal is used for equipment test — whether it can receive the **ALARM** signal correctly.

The **TEST** signal makes the receiver work in the same way as the **ALARM** signal does. If the **TEST** signal is received, the receiver automatically switches to the station broadcasting the **TEST** signal. While receiving the test signal, "TEST" appears on the display.



Switching to a Broadcast Program of Your Choice Temporarily

Another convenient RDS service is called "EON (Enhanced Other Network)".
The EON indicator lights up while receiving a station with the EON code.

This allows the receiver to switch temporarily to a broadcast program of your choice (NEWS, TA, and/or INFO) from a different station except in the following cases:

- When you are listening to non-RDS stations (all AM — MW/LW and some FM stations).
- When the last received FM station is a non-RDS station.
- When the receiver is in standby mode.

Before you start, remember...

- The EON function is only applicable to preset stations.

On the front panel ONLY:

1. Press EON so that the last selected program type appears on the display.

The receiver enters EON standby mode. When the receiver is in EON standby mode, the receiver is ready to receive the EON data (TA/NEWS/INFO) you select.

2. Press TA/NEWS/INFO until the program type you want appears on the display.

Each time you press the button, the display changes to show the following:

TA — NEWS/INFO — TA/INFO — TA/NEWS

NEWS — INFO — TA/NEWS/INFO

TA: Traffic Announcement in your area.
NEWS: News.
INFO: Program the purpose of which is to impart advice in the widest sense.

CASE 1 If there is no station broadcasting the program you have selected

The receiver continues playing the current source (all sources except AM — MW/LW).

When a station starts broadcasting the program you have selected, the receiver automatically switches to the station. The indicator of received PTY code starts flashing.

When the program is over, the receiver goes back to the previously selected source, but still remains in EON standby mode. The indicator of received PTY code stops flashing and remains lit.

CASE 2 If there is a station broadcasting the program you have selected

The receiver changes the source (all sources except AM — MW/LW), and tunes in the station. The indicator of received PTY code starts flashing.

When the program is over, the receiver goes back to the previously selected source, but still remains in EON standby mode. The indicator of received PTY code stops flashing and remains lit.

CASE 3 If the FM station you are listening to is broadcasting the program you have selected

The receiver continues to receive the station, but the indicator of received PTY code starts flashing.

When the program is over, the indicator of received PTY code stops flashing and remains lit, but the receiver remains in EON standby mode.

To stop listening to the program selected by EON

Press EON so that the program type (TA/NEWS/INFO) indicator goes off from the display. The receiver enters EON off mode and goes back to the previously selected source.

- Each time you press EON, the EON mode alternates between standby mode and off mode.

Notes:

- EON data sent from some stations may not be compatible with this receiver.
- In EON standby mode, if you change the source to AM (MW/LW) or if you carry out synchronized recording (see page 39), EON standby mode is canceled temporarily. The receiver goes back to EON standby mode again when you have finished that operation.
- While listening to a program tuned in by the EON function, you cannot use source selecting buttons and PTY SEARCH button.
- While listening to a program tuned in by the EON function, you cannot perform the on-screen operations (pages 34 and 41).

CAUTION:

When the source alternates intermittently between the station tuned in by the EON function and the currently selected source, press EON to cancel the EON function.
If you do not press the button, the currently tuned station is received finally, and the indication of the EON program type flashing on the display disappears.

Using the SEA Modes

The SEA (Sound Effect Amplifier) modes give you control of the way your music sounds.

IMPORTANT:

When using the remote control, check to see if its remote control mode selector is set to the correct position.

To operate this receiver, set it to "AUDIOTV/VCR" (except when selecting the DBS tuner as the source).



Selecting Your Favorite SEA Mode

On the front panel:

Press SEA MODE repeatedly until the SEA mode you want appears on the display.

- Each time you press the button, the SEA mode changes as follows:

SEA ROCK — SEA MUSICAL — SEA MOVIE — SEA COUNTRY — SEA USERMODE — SEA JAZZ

SEA ROCK: Gives a heavy sound. Both high and low frequencies are boosted.

SEA MUSICAL: Enhances the mid-frequency ranges, which the human voice is mostly made up of.

SEA MOVIE: Adds breadth to sounds so you feel like you are in a movie theater.

SEA COUNTRY: Enhances the high-frequency range so that instruments, such as the violin and harp, are emphasized.

SEA JAZZ: Gives a feeling of a live atmosphere. Good for acoustic music.

SEA USERMODE: Your original SEA adjustment (see the right).

SEA OFF: No SEA mode is applied (see below).

Notes:

- The SEA modes cannot be used for recording.
- When the SEA mode is turned on, the SEA indicator lights up on the display.
- When the SEA mode is used with the DAP mode (see page 26), sounds may be distorted. If this happens, turn off the DAP mode or decrease the effect level of the DAP mode.

To cancel the SEA mode

Press SEA MODE repeatedly until "SEA OFF" appears. The SEA indicator goes off from the display.

From the remote control:

1. Press SOUND.

The 10 keys are activated for sound adjustments.

2. Press SEA MODE repeatedly until the SEA mode you want appears on the display.

To cancel the SEA mode

Press SEA MODE repeatedly until "SEA OFF" appears in step 2 above. The SEA indicator goes off from the display.

Creating Your Own SEA Mode

You can adjust and store your own SEA adjustment into memory (SEA USERMODE).

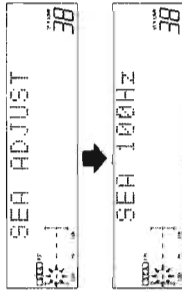
Before you start, remember...

- There is a time limit in doing the following steps. If the setting is canceled before you finish, start from step 1 again.

On the front panel ONLY:

If you do not want to store your adjustment, but rather want to adjust the SEA temporarily, skip step 4 below.

1. Press SEA ADJUST repeatedly until the frequency range (100Hz, 1kHz or 10kHz) you want appears on the display.



2. Turn MULTI JOG to adjust the SEA level of the selected frequency range.

- Turning it clockwise increases the level.
- Turning it counterclockwise decreases the level.

This FR means this adjustment can be applied to the front speakers only.

3. Repeat step 1 and 2 to adjust other frequency ranges if necessary.

4. Press TUNER/SEA MEMORY.

Your adjustment is stored into the SEA USERMODE.

To recall your own SEA adjustment

Press SEA MODE repeatedly until "SEA USERMODE" appears.

To erase a stored adjustment

Storing a new adjustment into SEA USERMODE erases the previously stored one.

Using the DSP Modes

The built-in Surround Processor provides three types of the DSP (Digital Signal Processor) mode — 3D-PHONIC mode, DAP (Digital Acoustic Processor) mode and Surround mode.

3D-PHONIC modes

The 3D-PHONIC mode gives you such a nearly surround effect as it is reproduced through the Dolby Surround decoder, which is widely used to reproduce sounds with a feeling of movement like those experienced in movie theaters. The 3D-PHONIC mode is the result of research on sound localization technology carried out at JVC for many years. **This mode can be used when the front speakers are connected to this receiver (without respect to the rear/center speaker connection).**

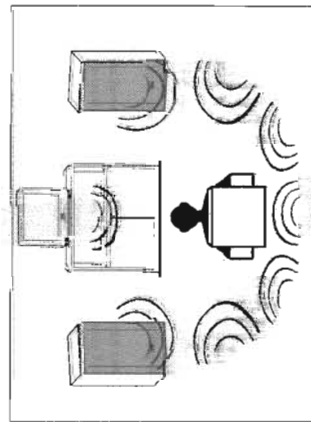
- You can select either 3D ACTION or 3D THEATER to your preference when playing an analog or Linear PCM (digital) source.
- You can select either 3D DIGITAL or 3D THEATER to your preference when playing a Dolby Digital, DTS Digital Surround, or MPEG Multichannel source.

- 3D ACTION:** Best for action and war movies — where the action is fast and explosive.
- 3D DIGITAL:** Reproduces multi-sound source encoded with Dolby Digital, DTS Digital Surround, or MPEG Multichannel.

3D THEATER: Reproduces the sound field of a large theater. This mode can be selected when only front speakers are connected to this receiver and "REAR SPK" and "CENTER SPK" is set to "NONE" (see page 14).

Note on the subwoofer sound when using the 3D-PHONIC modes

- Sound will or will not come out of the subwoofer according to the selected 3D-PHONIC mode.
- With "3D ACTION", selected: No sound comes out.
 - With "3D DIGITAL", selected: Sound comes out if the subwoofer channel signals come into this receiver (LED of the signal indicators lights up — see page 10) while playing a multi-sound source encoded with Dolby Digital, DTS Digital Surround, or MPEG Multichannel.
 - With "3D THEATER", selected:
 - If "FRONT SPK" is set to "SMALL", sound comes out while playing any source.
 - If "FRONT SPK" is set to "LARGE", sound comes out only if the subwoofer channel signals come into this receiver (LED of the signal indicators lights up ... see page 10) while playing a multi-sound source encoded with Dolby Digital, DTS Digital Surround, or MPEG Multichannel.

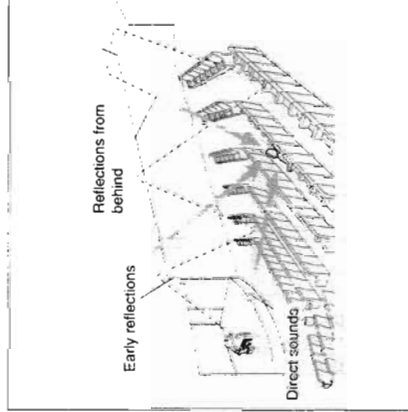


DAP modes

The sound heard in a concert hall or club consists of direct sound and indirect sound — early reflections and reflections from behind, the other hand, indirect sounds are delayed by the distances of the ceiling and walls. These direct sounds and indirect sounds are the most important elements of the acoustic surround effects. The DAP mode can create these important elements, and gives you a real "being there" feeling. **This mode can be used when the front speakers are connected to this receiver (without respect to the rear/center speaker connection).**

You can select one of the following to your preference.

- LIVE CLUB:** Gives the feeling of a live music club with a low ceiling.
- DANCE CLUB:** Gives a throbbing bass beat.
- HALL:** Gives clear vocal and the feeling of a concert hall.
- PAVILION:** Gives the spacious feeling of a pavilion with a high ceiling.




Surround modes

With this receiver, you can use four types of the Surround mode. Following modes cannot be used when only the front speakers are connected to this receiver (without the rear speakers or center speaker).

Dolby Surround (Dolby Digital and Dolby Pro Logic): Used to watch the soundtracks of software encoded with Dolby Digital (bearing the mark ) or with Dolby Surround (bearing the mark ). Dolby Digital and Dolby Pro Logic can be selected automatically according to software played back and the speaker arrangement you have done.

- To enjoy the software encoded with Dolby Digital, you must connect the source component using the digital terminal on the rear of this receiver. (See page 8.)

DTS Digital Surround*

DTS Digital Surround is a discrete 5.1 channel digital audio format available on CD, LD, and DVD software. To watch the soundtracks of video software bearing the mark , the receiver can provide you with DTS Digital Surround decoder.


DTS Digital Surround is automatically selected according to software played back and the speaker arrangement you have done.

- To enjoy the software encoded with DTS Digital Surround, you must connect the source component using the digital terminal on the rear of this receiver. (See page 8.)

Note:

A CD encoded with DTS Digital Surround cannot be played back through this receiver.



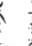

MPEG Multichannel

MPEG Multichannel is another discrete 5.1 channel digital audio format available on DVD software, and uses encoding method called MPEG-2 Audio. (MPEG stands for "Motion Picture Expert Group" and has been originally developed for compressing video signals.) To watch the soundtracks of video software bearing the mark , the receiver can provide you with MPEG Multichannel decoder.

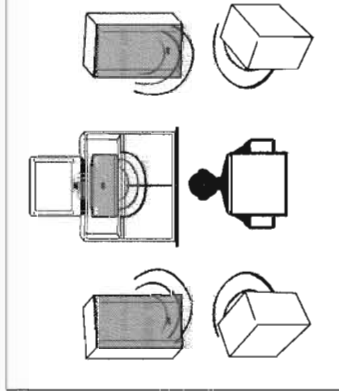
- MPEG Multichannel is automatically selected according to software played back and the speaker arrangement you have done.
- To enjoy the software encoded with MPEG Multichannel, you must connect the source component using the digital terminal on the rear of this receiver. (See page 8.)

JVC Theater Surround

In order to reproduce a more realistic sound field in your listening room while playing soundtracks of software encoded:

- with Dolby Surround (bearing the mark ),
- with Dolby Digital (bearing the mark ),
- with DTS Digital Surround (bearing the mark )
- with MPEG Multichannel (bearing the mark )
- You can use JVC Theater Surround.
- When playing a source encoded with Dolby Digital, with DTS Digital Surround, or MPEG Multichannel, "DIG:THEATER" is selected automatically.
- When playing a source encoded with Dolby Surround, "THEATER" is selected automatically.

* Manufactured under license from Dolby Laboratories. "Dolby," "Pro Logic," and the double-D symbol are trademarks of Dolby Laboratories. Confidential Unpublished Works. ©1992-1998 Dolby Laboratories, Inc. All rights reserved.



Notes:

- The DSP modes have no effect on monaural sources.
- The DSP modes cannot be used for recording an analog source.
- When you select "DVD MULTI" as the source to play, you cannot select or adjust the DSP modes.
- The PRO LOGIC indicator lights up when the Dolby Pro Logic decoder built in this receiver is activated.
- The DIGITAL indicator lights up when the signals encoded with Dolby Digital come into the receiver.
- The Dolby Pro Logic decoder is used not only for the analog sources but also for the sources encoded with Dolby Digital, DTS Digital Surround, or MPEG Multichannel in the following cases:
 - When only front channel signals are encoded.
 - When front channel and monaural rear channel signals are encoded.

IMPORTANT:

Before recording a digital source, turn off the DSP mode.

DVD MULTI Playback Mode

This receiver provides the DVD MULTI playback mode for reproducing the analog discrete 5.1 channel output mode of the DVD player or other equipment. You can adjust the DVD MULTI playback mode while playing back a video software such as a DVD using the analog discrete 5.1 channel output mode.

- For the DVD MULTI playback mode connection, see page 7.
- For details on the DVD MULTI playback mode, see page 32.

** Manufactured under license from Digital Theater Systems, Inc. US Pat. No. 5,451,942 and other world-wide patents issues and pending. "DTS" and "DTS Digital Surround" are trademarks of Digital Theater Systems, Inc. ©1996 Digital Theater Systems, Inc. All rights reserved.

Available DSP Modes According to the Speaker Arrangement

Available DSP modes will vary depending on how many speakers are used with this receiver. Make sure that you have set the speaker information correctly (see page 14).

Speaker arrangements		Available DSP modes
		<p>Each time you press DSP MODE on the front panel or SURROUND MODE on the remote control, the DSP modes change as follows:</p> <ul style="list-style-type: none"> • 3D THEATER • LIVE CLUB • DANCE CLUB • HALL • PAVILION • 3D ACTION (or 3D DIGITAL) • DSP OFF (DSP mode is canceled)
		<p>Each time you press DSP MODE on the front panel or SURROUND MODE on the remote control, the DSP modes change as follows:</p> <p>By pressing SURROUND MODE:</p> <ul style="list-style-type: none"> • DOLBY/DTS/MP3/SURROUND DIGITAL, DTS SURROUND, or MPEG SURROUND • DOLBY PRO LOGIC, DOLBY DIGITAL, DTS SURROUND, or MPEG SURROUND • THEATER (or DIG THEATER) • LIVE CLUB • 3D ACTION (or 3D DIGITAL) • DSP OFF (DSP mode is canceled) <p>By pressing DSP MODE:</p> <ul style="list-style-type: none"> • THEATER (or DIG THEATER) • LIVE CLUB • DANCE CLUB • HALL • PAVILION • 3D ACTION (or 3D DIGITAL) • DSP OFF (DSP mode is canceled) <p>To activate the Surround mode, press DOLBY/DTS/MP3/SURROUND ON/OFF button so that the lamp on the button lights up.</p> <p>To activate the Surround mode, you can also use the SURROUND ON/OFF button.</p>
		<p>Note on the center speaker sound when using the DAP modes:</p> <p>Sounds come out of the center speaker only if the following take place at the same time:</p> <ul style="list-style-type: none"> • If "CENTER SPK" is set to "LARGE" or "SMALL..." • If the center channel signals come into this receiver (of the signal indicators lights up — see page 10) while playing a multi-sound source encoded with Dolby Digital, DTS Digital Surround, or MPEG Multichannel. <p>In this case, you cannot adjust the center speaker output level.</p>

3. Press EFFECT to select an effect level you want.

- Each time you press the button, the effect level changes as follows:



As the number increases, the selected 3D-PHONIC mode becomes stronger.

Adjusting the DAP Modes

Once you have adjusted the DAP modes, the adjustment is memorized for each DAP mode.

- **Make sure that you have set the speaker information correctly** (see page 14).
- There is a time limit in doing the following steps. If the setting is canceled before you finish, start from step 1 again.
- You cannot adjust the rear speaker output level when you have set "REAR SPK" to "NONE." See page 14.
- When the DAP mode is used with the SEA mode (see page 22), sounds may be abated. If this happens, turn off the SEA mode.

On the front panel:

1. Press DSP MODE repeatedly until the DAP mode — LIVE CLUB, DANCE CLUB, HALL, or PAVILION — appears on the display.
 - The DSP and the selected DAP mode indicators also light up on the display.
 - When you have set "REAR SPK" to "NONE," the 3D-PHONIC indicator also lights up.

2. Adjust the speaker output levels.

- 1) Press BALANCE/SURROUND ADJUST repeatedly until one of the indications appears on the display.
 - To adjust the left rear-speaker level, "REAR L LEVEL."
 - To adjust the right rear-speaker level, "REAR R LEVEL."
- 2) Turn MULTI JOG to adjust the selected speaker output level (from -10 dB to +10 dB).
- 3) Repeat 1) and 2) to adjust the other speaker output level.

IMPORTANT:

When using the remote control, check to see if its remote control mode selector is set to the correct position.

To operate this receiver, set it to "AUDIO/TV/VCR" (except when selecting the DBS tuner as the source).

Adjusting the 3D-PHONIC Modes

Once you have adjusted the 3D-PHONIC modes, the adjustment is memorized for each 3D-PHONIC mode.

- **Before you start, remember...**
- **Make sure that you have set the speaker information correctly** (see page 14).
- There is a time limit in doing the following steps. If the setting is canceled before you finish, start from step 1 again.

On the front panel:

1. Press DSP MODE repeatedly until "3D ACTION (or 3D DIGITAL)" or "3D THEATER" appears on the display.
 - The 3D-PHONIC, DSP PRO LOGIC, and selected 3D-PHONIC mode indicators also light up on the display.
2. Adjust the effect level.
 - 1) Press BALANCE/SURROUND ADJUST repeatedly until "DSP EFFECT" appears on the display. The display changes to show the current setting.
 - 2) Turn MULTI JOG to select the effect level.
 - As you turn it, the effect level changes as follows:

From the remote control:

1. Press SURROUND MODE repeatedly until "3D ACTION (or 3D DIGITAL)" or "3D THEATER" appears on the display.
 - The 3D-PHONIC, DSP PRO LOGIC, and selected 3D-PHONIC mode indicators also light up on the display.
2. Press SOUND.
 - The 10 keys are activated for sound adjustments.

3. Adjust the effect level.

- 1) Press BALANCE/SURROUND ADJUST repeatedly until "DSP EFFECT" appears on the display. The display changes to show the current setting.

- 2) Turn MULTI JOG to select the effect level.
 - As you turn it, the effect level changes as follows:



As the number increases, the selected DAP mode becomes stronger.

From the remote control:

1. Press SURROUND MODE repeatedly until the DAP mode — LIVE CLUB, DANCE CLUB, HALL, or PAVILION — appears on the display. The DSP and the selected DAP mode indicators also light up on the display.

2. Press SOUND.

The 10 keys are activated for sound adjustments.

3. Adjust the speaker output levels.

- To adjust the left rear speaker level, press REAR-L -/+ (from -10 dB to +10 dB).
- To adjust the right rear speaker level, press REAR-R -/+ (from -10 dB to +10 dB).

4. Press EFFECT to select an effect level you want.

- Each time you press the button, the effect level changes as follows:



As the number increases, the selected DAP mode becomes stronger.

Adjusting the Surround Modes

Once you have adjusted the Surround modes, the adjustment is memorized for each Surround mode.

Dolby/DTS/MPEG Surround adjustments

- Before you start, remember...
- Make sure that you have set the speaker information correctly (see page 14).
 - There is a time limit in doing the following steps. If the setting is cancelled before you finish, start from step 1 again.
 - You cannot adjust the rear speaker output levels when you have set "REAR SPK" to "NONE." See page 14.
 - You cannot adjust the center speaker output level and center tone when you have set "CENTER SPK" to "NONE." See page 14.

From the remote control:

1. Press SURROUND MODE repeatedly until the mode — PRO LOGIC, DOLBY DIGITAL, DTS SURROUND, or MPEG SURROUND — appears on the display.
 - When "PRO LOGIC" is selected, the PRO LOGIC indicator lights up on the display.

Note:

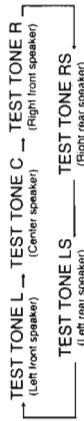
You can also press SURROUND ON/OFF to activate an appropriate Surround mode — PRO LOGIC, DOLBY DIGITAL, DTS SURROUND, MPEG SURROUND. Each time you press the button, the Surround mode turns on and off alternately.

2. Press SOUND.

The 10 keys are activated for sound adjustments.

3. Press TEST to check the speaker output balance.

"TEST TONE L" starts flashing on the display, and a test tone comes out of the speakers in the following order:



Notes:

- You can adjust the speaker output levels without outputting the test tone.
- No test tone comes out of the center speaker when "CENTER SPK" is set to "NONE" (see page 14).
- No test tone comes out of the rear speakers when "REAR SPK" is set to "NONE" (see page 14).
- If the TV is turned on and the proper video input is selected on the TV, the test tone screen will appear on the display while the test tone comes out of the speakers.
- The signal indicators also light on the display when the test tone comes out of the speakers.
 - L: Lights when the test tone comes out of the left front speaker.
 - C: Lights when the test tone comes out of the center speaker.
 - R: Lights when the test tone comes out of the right front speaker.
 - RS: Lights when the test tone comes out of the right rear speaker.
 - LS: Lights when the test tone comes out of the left rear speaker.

4. Adjust the speaker output levels.

- To adjust the center speaker level, press CNTR -/+ (from -10 dB to +10 dB).
- To adjust the left rear speaker level, press REAR-L -/+ (from -10 dB to +10 dB).
- To adjust the right rear speaker level, press REAR-R -/+ (from -10 dB to +10 dB).

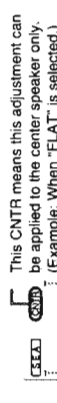
5. Press TEST again to stop the test tone.

6. Press CNTR TONE to select the center tone level you want.

- The center tone adjustment affects the mid-frequency range, which the human voice is mostly made up of.
- Each time you press the button, the display changes to show the following:



Adjusted levels are also shown on the equalizer display.



This CNTR means this adjustment can be applied to the center speaker only. (Example: When "FLAT" is selected.)

To make the dialogue clearer, select "SHARP 1" (little) or "SHARP 2" (much).

To make the dialogue softer, select "SOFT 1" (little) or "SOFT 2" (much).

When "FLAT" is selected, no adjustment is applied.

On the front panel:

You can also use the buttons on the front panel to adjust the Surround modes. However, no test tone is available when using the buttons on the front panel. So, make adjustments while listening to the sound of the source played back.

1. Press DOLBY/DTS/MPEG SURROUND ON/OFF to activate an appropriate Surround mode — PRO LOGIC, DOLBY DIGITAL, DTS SURROUND, or MPEG SURROUND.

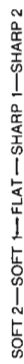
- Each time you press the button, the Surround mode turns on and off alternately.
- When "PRO LOGIC" is selected, the PRO LOGIC indicator lights up on the display.

2. Adjust the speaker output levels.

- 1) Press BALANCE/SURROUND ADJUST repeatedly until one of the indications appears on the display: "CENTER LEVEL"; "REAR L LEVEL"; "REAR R LEVEL"; "TURN MULTI JOG to adjust the selected speaker output level (from -10 dB to +10 dB); Repeat 1) and 2) to adjust the other speaker output levels.

3. Adjust the center tone.

- 1) Press BALANCE/SURROUND ADJUST repeatedly until "CENTER TONE" appears on the display. The display changes to show the current setting.
- 2) Turn MULTI JOG to select the center tone level you want.
 - As you turn it, the display changes to show the following:



JVC Theater Surround adjustments

- Before you start, remember...
- Make sure that you have set the speaker information correctly (see page 14).
 - There is a time limit in doing the following steps. If the setting is canceled before you finish, start from step 1 again.
 - You cannot adjust the rear speaker output levels when you have set "REAR SPK" to "NONE". See page 14.
 - You cannot adjust the center speaker output level and center tone when you have set "CENTER SPK" to "NONE". See page 14.

From the remote control:

1. Press SURROUND MODE repeatedly until "THEATER" or "DIG THEATER" appears on the display.

- When "THEATER" is selected, the PRO LOGIC, DSP, and THEATER indicators also light up on the display.
- When "DIG THEATER" is selected, the DSP and THEATER indicators also light up on the display.

2. Press SOUND.

The 10 keys are activated for sound adjustments.

3. Press TEST to check the speaker output balance.

"TEST TONE L" starts flashing on the display, and a test tone comes out of the speakers in the following order:

- TEST TONE L → TEST TONE C → TEST TONE R
(Left front speaker) (Center speaker) (Right front speaker)
- TEST TONE LS → TEST TONE RS
(Left rear speaker) (Right rear speaker)

Notes:

- You can adjust the speaker output levels without outputting the test tone.
 - No test tone comes out of the center speaker when "CENTER SPK" is set to "NONE" (see page 14).
 - No test tone comes out of the rear speakers when "REAR SPK" is set to "NONE" (see page 14).
 - If the TV is turned on and the proper video input is selected on the TV, the test tone screen will appear on the display.
 - The signal indicators also light on the display while the test tone comes out of the speakers.
- L: Lights when the test tone comes out of the left front speaker.
C: Lights when the test tone comes out of the center speaker.
R: Lights when the test tone comes out of the right front speaker.
RS: Lights when the test tone comes out of the right rear speaker.
LS: Lights when the test tone comes out of the left rear speaker.

On the front panel:

You can also use the buttons on the front panel to adjust the Surround modes. However, no test tone is available when using the buttons on the front panel. So, make adjustments while listening to the sound of the source played back.

1. Press DSP MODE repeatedly until "THEATER" or "DIG THEATER" appears on the display.

- When "THEATER" is selected, the PRO LOGIC, DSP, and THEATER indicators light up on the display.
- When "DIG THEATER" is selected, the DSP and THEATER indicators light up on the display.

2. Adjust the speaker output levels.

- 1) Press BALANCE/SURROUND ADJUST repeatedly until one of the indications appears on the display. "CENTER LEVEL": To adjust the center speaker level. "REAR L LEVEL": To adjust the left rear speaker level. "REAR R LEVEL": To adjust the right rear speaker level.
- 2) Turn MULTI JOG to adjust the selected speaker output level (from -10 dB to +10 dB).
- 3) Repeat 1) and 2) to adjust the other speaker output levels.

3. Adjust the center tone.

- 1) Press BALANCE/SURROUND ADJUST repeatedly until "CENTER TONE" appears on the display. The display changes to show the current setting.
- 2) Turn MULTI JOG to select the center tone level you want. As you turn it, the display changes to show the following: SOFT 2 → SOFT 1 → FLAT → SHARP 1 → SHARP 2

4. Adjust the effect level.

- 1) Press BALANCE/SURROUND ADJUST repeatedly until "DSP EFFECT 1" appears on the display. The display changes to show the current setting.
- 2) Turn MULTI JOG to select the effect level. As you turn it, the effect level changes as follows: DSP EFFECT 1 → DSP EFFECT 2 → DSP EFFECT 3 → DSP EFFECT 4 → DSP EFFECT 5

As the number increases, JVC Theater Surround becomes stronger.

Activating the DSP Modes

You can use only one DSP mode at a time. When a DSP mode is activated, another DSP mode is canceled if in use.

For Dolby Pro Logic, Dolby Digital, DTS Digital Surround, and MPEG Multichannel

On the front panel:

1. Press DOLBY/DTS/MPEG SURROUND ON/OFF so that the lamp on the button lights up. Each time you press the button, the Dolby/DTS/MPEG Surround turns on and off alternately.
2. Select and play a sound source.
 - To enjoy Dolby Pro Logic, play back a software encoded with Dolby Surround and labeled with mark.
 - To enjoy Dolby Digital, play back a software encoded with Dolby Digital and labeled with mark.
 - To enjoy DTS Digital Surround, play back a software encoded with DTS Digital Surround and labeled with mark.
 - To enjoy MPEG Multichannel, play back a software encoded with MPEG Multichannel and labeled with mark.

To cancel the Dolby/DTS/MPEG Surround mode

Press DOLBY/DTS/MPEG SURROUND ON/OFF again so that the lamp on the button goes off. ("SURROUND OFF" appears on the display.)

From the remote control:

1. Press SURROUND ON/OFF so that the lamp on the DOLBY/DTS/MPEG SURROUND ON/OFF button on the front panel lights up. Each time you press the button, the Dolby/DTS/MPEG Surround turns on and off alternately. You can also turn on Dolby/DTS/MPEG Surround by pressing SURROUND MODE. (See page 25 for more details.)
2. Select and play a sound source.
 - To enjoy Dolby Pro Logic, play back a software encoded with Dolby Surround and labeled with mark.
 - To enjoy Dolby Digital, play back a software encoded with Dolby Digital and labeled with mark.
 - To enjoy DTS Digital Surround, play back a software encoded with DTS Digital Surround and labeled with mark.
 - To enjoy MPEG Multichannel, play back a software encoded with MPEG Multichannel and labeled with mark.

To cancel the Dolby/DTS/MPEG Surround mode

Press SURROUND ON/OFF again. ("SURROUND OFF" appears on the display.)

4. Adjust the speaker output levels.

- To adjust the center speaker level, press CNTR →+ (from -10 dB to +10 dB).
- To adjust the left rear speaker level, press REAR L →+ (from -10 dB to +10 dB).
- To adjust the right rear speaker level, press REAR R →+ (from -10 dB to +10 dB).

5. Press TEST again to stop the test tone.

6. Press CNTR TONE to select the center tone level you want.

- The center tone adjustment affects the mid-frequency range, which the human voice is mostly made up of.
- Each time you press the button, the display changes to show the following: SOFT 2 → SOFT 1 → FLAT → SHARP 1 → SHARP 2

Adjusted levels are also shown on the equalizer display.

This CNTR means this adjustment can be applied to the center speaker only. (Example: When "FLAT" is selected.)

To make the dialogue clearer, select "SHARP 1" (little) or "SHARP 2" (much).

To make the dialogue softer, select "SOFT 1" (little) or "SOFT 2" (much). When "FLAT" is selected, no adjustment is applied.

7. Press EFFECT to select an effect level you want.

- Each time you press the button, the effect level changes as follows: DSP EFFECT 1 → DSP EFFECT 2 → DSP EFFECT 3 → DSP EFFECT 4 → DSP EFFECT 5
- As the number increases, JVC Theater Surround becomes stronger.

Using the DVD MULTI Playback Mode

This receiver provides the DVD MULTI playback mode for reproducing the analog discrete output mode of the DVD player. Before playing back a DVD, refer also to the manual supplied with the DVD player.

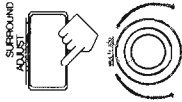
IMPORTANT:

When using the remote control, check to see if its remote control mode selector is set to the correct position:
 To operate this receiver, set it to "AUDIO/TV/ VCR" (except when selecting the DBS tuner as the source).



4. Adjust the center tone.

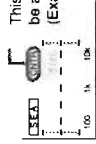
- 1) Press BALANCE/SURROUND ADJUST repeatedly until "CENTER TONE" appears on the display. The display changes to show the current setting.
- 2) Turn MULTI JOG to select the center tone level you want. The center tone adjustment affects the mid-frequency range, which the human voice is mostly made up of.
 - As you turn it, the display changes to show the following:



SOFT 2—SOFT 1—FLAT—SHARP 1—SHARP 2

Adjusted levels are also shown on the equalizer display.

This CNTR means this adjustment can be applied to the center speaker only. (Example: When "FLAT" is selected.)



To make the dialogue clearer, select "SHARP 1" (little) or "SHARP 2" (much).

To make the dialogue softer, select "SOFT 1" (little) or "SOFT 2" (much).

When "FLAT" is selected, no adjustment is applied.

Activating the DVD MULTI Playback Mode

You can adjust the DVD MULTI playback mode while playing back a DVD using the analog discrete output mode on the DVD player. Once you made adjustments, the receiver memorizes the adjustments until you change them. You also need to set the DVD player to the analog discrete output mode.

Before you start, remember...

- There is a time limit in doing the following steps. If the setting is canceled before you finish, start from step 1 again.

On the front panel:

1. Turn SOURCE SELECTOR until "DVD MULTI" appears on the display.



Note:

When you select "DVD MULTI" as the source to play, the DSP mode is canceled temporarily, and the DOLBY/DTS/MP3 SURROUND ON/OFF and DSP MODE buttons do not work.

2. Select the analog discrete output mode on the DVD player, and start playing a DVD.

- Refer to the manual supplied with the DVD player.

If you need to make any adjustment, go to the following steps.

3. Adjust the speaker output levels.

- 1) Press BALANCE/SURROUND ADJUST repeatedly until one of the indications appears on the display: "CENTER LEVEL"; To adjust the center speaker level, "REAR L LEVEL"; To adjust the left rear speaker level, "REAR R LEVEL";



- 2) Turn MULTI JOG to adjust the selected speaker output level (from -10 dB to +10 dB).
- 3) Repeat 1) and 2) to adjust the other speaker output levels.



MEMO

Use this column to write down your DSP mode adjustments for your future reference.

For the other DSP modes

On the front panel:

1. Press DSP MODE repeatedly until the mode you want appears on the display.
 - Each time you press the button, the DSP mode change. (See page 25 for more details.)



2. Select and play a sound source.

- To enjoy 3D-PHONIC and JVC Theater Surround, play back a software:
 - encoded with Dolby Surround and labeled with mark.
 - encoded with Dolby Digital and labeled with mark.
 - encoded with DTS Digital Surround and labeled with mark.
 - encoded with MPEG Multichannel and labeled with mark.

To cancel the DSP mode

Press DSP MODE repeatedly until "DSP OFF" appears on the display.



From the remote control:

1. Press SURROUND MODE repeatedly until the DSP mode you want appears on the display.
 - Each time you press the button, the DSP modes change. You can also turn on Dolby/DTS/MPEG Surround. (See page 25 for more details.)



2. Select and play a sound source.

- To enjoy 3D-PHONIC and JVC Theater Surround, play back a software:
 - encoded with Dolby Surround and labeled with mark.
 - encoded with Dolby Digital and labeled with mark.
 - encoded with DTS Digital Surround and labeled with mark.
 - encoded with MPEG Multichannel and labeled with mark.

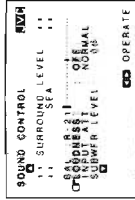
To cancel the DSP mode

Press SURROUND MODE repeatedly until "DSP OFF" appears on the display.



Listening at Low Volume (Loudness)
(Also see page 11)

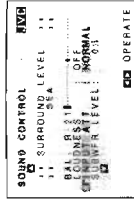
1. Press MENU. The MAIN MENU appears on the TV. Pressing one of the $\Delta/\nabla/\leftarrow/\rightarrow$ buttons also displays the MAIN MENU.
2. Press Δ/∇ to move \leftarrow to "SOUND CONTROL," then press \leftarrow/\rightarrow . The SOUND CONTROL menu appears.
3. Press Δ/∇ to move \leftarrow to "LOUDNESS,"



4. Press \leftarrow/\rightarrow to turn the loudness "ON" or "OFF."

Attenuating the Input Signal
(Also see page 11)

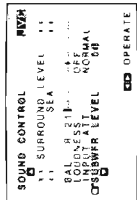
1. Press MENU. The MAIN MENU appears on the TV. Pressing one of the $\Delta/\nabla/\leftarrow/\rightarrow$ buttons also displays the MAIN MENU.
2. Press Δ/∇ to move \leftarrow to "SOUND CONTROL," then press \leftarrow/\rightarrow . The SOUND CONTROL menu appears.
3. Press Δ/∇ to move \leftarrow to "INPUT ATT."



4. Press \leftarrow/\rightarrow to turn the Input Attenuator mode "ATT ON" or "NORMAL."
5. When you finish, press EXIT repeatedly until the menu disappears from the TV.

Adjusting the Subwoofer Output Level
(Also see page 11)

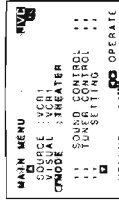
1. Press MENU. The MAIN MENU appears on the TV. Pressing one of the $\Delta/\nabla/\leftarrow/\rightarrow$ buttons also displays the MAIN MENU.
2. Press Δ/∇ to move \leftarrow to "SOUND CONTROL," then press \leftarrow/\rightarrow . The SOUND CONTROL menu appears.



3. Press Δ/∇ to move \leftarrow to "SUBWOOFER LEVEL,"
4. Press \leftarrow/\rightarrow to adjust the subwoofer output level.
5. When you finish, press EXIT repeatedly until the menu disappears from the TV.

Adjusting the DSP Modes
(Also see pages 26 – 30)

1. Press MENU. The MAIN MENU appears on the TV. Pressing one of the $\Delta/\nabla/\leftarrow/\rightarrow$ buttons also displays the MAIN MENU.
2. Press Δ/∇ to move \leftarrow to "MODE,"



3. Press \leftarrow/\rightarrow to select the DSP mode you want to adjust. In this example, "THEATER" is selected.
4. Press Δ/∇ to move \leftarrow to "SOUND CONTROL," then press \leftarrow/\rightarrow . The SOUND CONTROL menu appears.



5. Press Δ/∇ to move \leftarrow to "SURROUND LEVEL," then press \leftarrow/\rightarrow . The SURROUND LEVEL menu appears.
6. Press Δ/∇ to move \leftarrow to the item you want to set or adjust, then press \leftarrow/\rightarrow . On these adjustment menus, you can do the following:

- For 3D-PHONIC (3D ACTION, 3D DIGITAL, 3D THEATER): "DSP EFFECT." Select the effect level.
- For DAP (LIVE CLUB, DANCE CLUB, HALL, PAVILION): "REAR L LEVEL." Adjust the left rear speaker output level.
- "REAR R LEVEL." Adjust the right rear speaker output level.
- "DSP EFFECT." Select the effect level.

For Dolby Pro Logic:

- "TEST TONE." Output a test tone.
- "CENTER LEVEL." Adjust the center speaker output level.
- "REAR L LEVEL." Adjust the left rear speaker output level.
- "REAR R LEVEL." Adjust the right rear speaker output level.

For Dolby Digital, DTS Digital Surround, and MPEG Multichannel:

- "TEST TONE." Output a test tone.
- "CENTER LEVEL." Adjust the center speaker output level.
- "REAR L LEVEL." Adjust the left rear speaker output level.
- "REAR R LEVEL." Adjust the right rear speaker output level.
- "CENTER TONE." Select the center tone level.

For JVC Theater Surround:

- "TEST TONE." Output a test tone.
- "CENTER LEVEL." Adjust the center speaker output level.
- "REAR L LEVEL." Adjust the left rear speaker output level.
- "REAR R LEVEL." Adjust the right rear speaker output level.
- "CENTER TONE." Select the center tone level.
- "DSP EFFECT." Select the effect level.

Notes:

- * Not displayed when "REAR SPK" is set to "NONE" (see page 14).
- ** Not displayed when "CENTER SPK" is set to "NONE" (see page 14).

When you finish, press EXIT repeatedly until the menu disappears from the TV.

Activating the DVD MULTI Playback Mode
(Also see page 32)

1. Press MENU. The MAIN MENU appears on the TV. Pressing one of the $\Delta/\nabla/\leftarrow/\rightarrow$ buttons also displays the MAIN MENU.
2. Press Δ/∇ to move \leftarrow to "SOURCE."
3. Press \leftarrow/\rightarrow to select "DVD MULTI."
4. Press Δ/∇ to move \leftarrow to "SOUND CONTROL," then press \leftarrow/\rightarrow . The SOUND CONTROL menu appears.
5. Press Δ/∇ to move \leftarrow to "SURROUND LEVEL," then press \leftarrow/\rightarrow . The SURROUND LEVEL menu appears.



6. Press Δ/∇ to move \leftarrow to the item you want to set or adjust, then press \leftarrow/\rightarrow . On this adjustment menu, you can do the following:
 - "CENTER LEVEL." Adjust the center speaker output level.
 - "REAR L LEVEL." Adjust the left rear speaker output level.
 - "REAR R LEVEL." Adjust the right rear speaker output level.
 - "CENTER TONE." Select the center tone level.

When you finish, press EXIT repeatedly until the menu disappears from the TV.

Selecting Your Favorite SEA Mode
(Also see page 22)

1. Press MENU. The MAIN MENU appears on the TV. Pressing one of the $\Delta/\nabla/\leftarrow/\rightarrow$ buttons also displays the MAIN MENU.
2. Press Δ/∇ to move \leftarrow to "SOUND CONTROL," then press \leftarrow/\rightarrow . The SOUND CONTROL menu appears.
3. Press Δ/∇ to move \leftarrow to "SEA," then press \leftarrow/\rightarrow . The SEA menu appears.
4. Press Δ/∇ to move \leftarrow to "SEA MODE."
5. Press \leftarrow/\rightarrow to select the SEA mode you want.

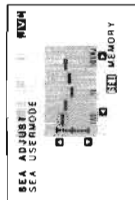


When you finish, press EXIT repeatedly until the menu disappears from the TV.

Creating Your Own SEA Mode
(Also see page 22)

1. Press MENU. The MAIN MENU appears on the TV. Pressing one of the $\Delta/\nabla/\leftarrow/\rightarrow$ buttons also displays the MAIN MENU.
2. Press Δ/∇ to move \leftarrow to "SOUND CONTROL," then press \leftarrow/\rightarrow . The SOUND CONTROL menu appears.
3. Press Δ/∇ to move \leftarrow to "SEA," then press \leftarrow/\rightarrow . The SEA menu appears.

4. Press Δ / ∇ to move \leftarrow to "SEA ADJUST," then press SET. The SEA ADJUST menu appears.



5. Press $\Delta / \nabla / \leftarrow / \rightarrow$ to adjust the SEA mode as you want.

\leftarrow / \rightarrow : Select the frequency ranges.
 Δ / ∇ : Adjust the frequency levels.

6. Press SET to store the setting into the SEA USERMODE.

* If you press EXIT, without pressing SET in this step, you can return to the SEA menu. (The adjustment you have made is active but not stored.)

7. When you finish, press EXIT repeatedly until the menu disappears from the TV.

Setting the Basic Setting Items (Also see pages 12 - 15)

1. Press MENU.

The MAIN MENU appears on the TV.
 * Pressing one of the $\Delta / \nabla / \leftarrow / \rightarrow$ buttons, also displays the MAIN MENU.



2. Press Δ / ∇ to move \leftarrow to "SETTING," then press \leftarrow / \rightarrow .

The SETTING 1 or SETTING 2 menu appears.

3. Press Δ / ∇ to move \leftarrow to the item you want to set or adjust, then press \leftarrow / \rightarrow .



* To go to the SETTING 2 menu, move \leftarrow to "NEXT PAGE," then press \leftarrow / \rightarrow .

* To go back to the SETTING 1 menu, move \leftarrow to "PREVIOUS PAGE," then press \leftarrow / \rightarrow .

On the SETTING 1 and 2 menus, you can do the following:

- "SUBWOOFER": Set the subwoofer information (see page 12).
- "FRONT SPK": Set the front speaker information (see page 14).
- "CENTER SPK": Set the center speaker information (see page 14).
- "REAR SPK": Set the rear speaker information (see page 14).
- "CNTR DELAY": Adjust the delay time of the center speaker output (see page 14). *
- "REAR DELAY": Adjust the delay time of the rear speaker output (see page 14). **
- "CROSSOVER": Set the crossover frequency (see page 15).

"LFE ATT.":

Set the low frequency effect attenuator level (see page 15).

"COMP.": Set the dynamic range compression (see page 15).

"DIGITAL IZ/IS": Set the digital input terminal (see page 13).

"EL. DISP.": Shows the disc text information on the display (see page 13).

Notes:

* Not adjustable when "CENTER SPK" is set to "NONE" (see page 14).

** Not adjustable when "REAR SPK" is set to "NONE" (see page 14).

4. When you finish, press EXIT repeatedly until the menu disappears from the TV.

Operating the Tuner (Also see pages 17 and 18)

1. Press MENU.

The MAIN MENU appears on the TV.
 * Pressing one of the $\Delta / \nabla / \leftarrow / \rightarrow$ buttons, also displays the MAIN MENU.

2. Press Δ / ∇ to move \leftarrow to "TUNER CONTROL," then press \leftarrow / \rightarrow .

The TUNER CONTROL menu appears.

3. Press Δ / ∇ to move \leftarrow to the item you want to set or adjust, then press \leftarrow / \rightarrow .

On the TUNER CONTROL menu, you can do the following:

- "PRESET CH.": Select a preset channel station.
- "BAND": Select the band.
- "FREQUENCY": Tune in a station manually.
- "FM MODE": Select the FM reception mode. *
- "PRESET MEMORY": See "Storing the Preset Stations" on the next page.

Note:

* Not displayed when an AM (MW/LW) station is selected.

4. When you finish, press EXIT repeatedly until the menu disappears from the TV.

Storing the Preset Stations (Also see page 17)

1. Press MENU.

The MAIN MENU appears on the TV.
 * Pressing one of the $\Delta / \nabla / \leftarrow / \rightarrow$ buttons, also displays the MAIN MENU.

2. Press Δ / ∇ to move \leftarrow to "TUNER CONTROL," then press \leftarrow / \rightarrow .

The TUNER CONTROL menu appears.

3. Tune into a station on the TUNER CONTROL menu, referring to "Operating the Tuner" on the previous page.

4. Press Δ / ∇ to move \leftarrow to "PRESET MEMORY," then press \leftarrow / \rightarrow .

The PRESET MEMORY menu appears.

5. Press \leftarrow / \rightarrow to select a preset station number you want.

6. Press SET to store the setting.

7. When you finish, press EXIT repeatedly until the menu disappears from the TV.

Assigning Names to Preset Stations (Also see page 18)

1. Press MENU.

The MAIN MENU appears on the TV.
 * Pressing one of the $\Delta / \nabla / \leftarrow / \rightarrow$ buttons, also displays the MAIN MENU.

2. Press Δ / ∇ to move \leftarrow to "TUNER CONTROL," then press \leftarrow / \rightarrow .

The TUNER CONTROL menu appears.

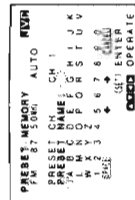
3. Press Δ / ∇ to move \leftarrow to "PRESET CH."

4. Press \leftarrow / \rightarrow to select a preset station.

5. Press Δ / ∇ to move \leftarrow to "PRESET MEMORY," then press \leftarrow / \rightarrow .

The PRESET MEMORY menu appears.

6. Press Δ / ∇ to move \leftarrow to "PRESET NAME," then press SET. The character entry screen appears.



7. Press $\Delta / \nabla / \leftarrow / \rightarrow$ to move \leftarrow in front of a character you want.

You can also select the following:

- \leftarrow : To enter space
- \rightarrow : To erase the character
- \leftarrow : To go back to the previous character position or go to the next character position

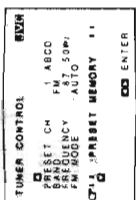
8. Press SET to enter the selected character.

9. Repeat steps 7 and 8 to enter up to four characters.

10. Press $\Delta / \nabla / \leftarrow / \rightarrow$ to move \leftarrow to "PRESET NAME," then press SET to store the setting.

The TUNER CONTROL menu appears again.

11. When you finish, press EXIT repeatedly until the menu disappears from the TV.



You can show the RDS information on the TV screen. For details, see page 19.

TEXT COMPU LINK Remote Control System

The TEXT COMPU LINK remote control system has been newly developed to deal with the disc information recorded in the CD Text* and MDs. Using these information in the discs, you can operate the CD player or MD recorder equipped with the TEXT COMPU LINK remote control system through the receiver.

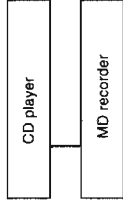
CONNECTIONS:

To use this remote control system, you need to connect the CD player and/or MD recorder you want to operate, following the procedures below.

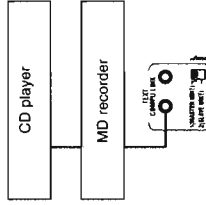
1. If you have already plugged your CD player, MD recorder, and this receiver into the AC outlets, unplug their AC power cords first.

2. Connect your CD player, MD recorder, and this receiver as follows, through the COMPU LINK-3 (SYNCHRO) jacks and TEXT COMPU LINK jacks.

1) COMPU LINK-3 (SYNCHRO) jacks: Use the cables with the monoaural mini-plugs (not supplied with this receiver).



2) TEXT COMPU LINK jacks: Use the cables with the stereo mini-plugs (not supplied with this receiver).



IMPORTANT:

Set the Master/Slave Selector on the rear to "1(MASTER UNIT)".

- "2(SLAVE UNIT)" is just for the serviceman's use. The TEXT COMPU LINK remote control system does not function with the selector set to "2(SLAVE UNIT)".

3. Connect your CD player, MD recorder and this receiver, using the cables with RCA pin plugs (see page 6).

4. Plug the AC power cords of these components above into the AC outlets.

5. When turning on these components for the first time, turn on the connected components first, then turn on this receiver.

FUNCTIONS:

This remote control system allows you to use the functions listed below.

Displaying the Disc Information on the TV screen
Disc information such as its performer and disc title (and track titles only when a CD Text is selected) is shown on the TV screen.

Disc Search: Only for CD Player

This remote control system can allow you to search discs by the performer, disc title, and music genre. With this disc search, you can easily find the disc you want to play.

Disc Title Input

If your CD player or MD recorder has the disc memory function, you can input the following information about the normal audio CDs or MDs on the TV screen.

- For CDs: Performer, disc title, and music genre.
- For MDs: Disc title and song titles.

What is a CD Text?

In a CD Text, some information about the disc (its disc title, performer, composer, arranger, etc.) is recorded.

Notes:

- If your audio component has two COMPU LINK-3 (SYNCHRO) jacks, you can use either one. If it has only one COMPU LINK-3 (SYNCHRO) jack, connect it so that it is the last item in the series of components. (For example, the CD player in the diagram to the left.)
- If your audio component has two TEXT COMPU LINK jacks, you can use either one. If it has only one TEXT COMPU LINK jack, connect it so that it is the last item in the series of components. (For example, the CD player in the diagram to the left.)
- "TEXT COMPU LINK SOURCE NOT CONNECTED" appears on the display in the following cases:
 - When the connections explained to the left are not correctly done.
 - When you try to use the TEXT COMPU LINK function a few seconds after you turn on the connected equipment. This is not a malfunction of the units.
- Refer also to the manuals supplied with your CD player or MD recorder.

IMPORTANT:

If you turn on the receiver before turning on the other components after connecting the components, the TEXT COMPU LINK remote control system does not work correctly.

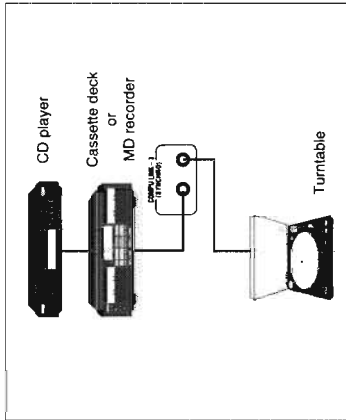
- Turn off all the components including this receiver.
- Turn on the connected components.
- Turn on this receiver.

COMPU LINK Remote Control System

The COMPU LINK remote control system allows you to operate JVC audio components through the remote sensor on the receiver.

To use this remote control system, you need to connect JVC audio components through the COMPU LINK-3 (SYNCHRO) jacks (see below) in addition to the connections using cables with RCA pin plugs (see pages 5 and 6).

- Make sure that the AC power cords of these components are unplugged before connection. Plug the AC power cords only after all connections are complete.



Notes:

- If your audio component has two COMPU LINK-3 (SYNCHRO) jacks, you can use either one. If it has only one COMPU LINK-3 (SYNCHRO) jack, connect it so that it is the last item in the series of components. (For example, the turntable or CD player in the diagram above.)
- To operate the cassette deck or MD recorder using the COMPU LINK remote control system, set the source name correctly. (See page 12.)
- Refer also to the manuals supplied with your audio components.

This remote control system allows you to use four functions listed below.

Remote Control through the Remote Sensor on the Receiver

You can control the connected audio components through the remote sensor on the receiver using this remote control. Aim the remote control directly at the remote sensor on the receiver. For details, see pages 45 and 46.

Automatic Source Selection

When you press the play (▶) button on a connected component or on its own remote control, the receiver automatically turns on and changes the source to the component. On the other hand, if you select a new source on the receiver or on the remote control, the selected component begins playing immediately. In both cases, the previously selected source continues playing without sound for a few seconds.

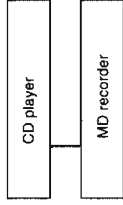
CONNECTIONS:

To use this remote control system, you need to connect the CD player and/or MD recorder you want to operate, following the procedures below.

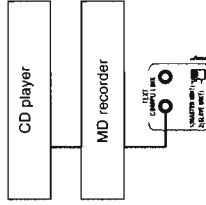
1. If you have already plugged your CD player, MD recorder, and this receiver into the AC outlets, unplug their AC power cords first.

2. Connect your CD player, MD recorder, and this receiver as follows, through the COMPU LINK-3 (SYNCHRO) jacks and TEXT COMPU LINK jacks.

1) COMPU LINK-3 (SYNCHRO) jacks: Use the cables with the monoaural mini-plugs (not supplied with this receiver).



2) TEXT COMPU LINK jacks: Use the cables with the stereo mini-plugs (not supplied with this receiver).



IMPORTANT:

Set the Master/Slave Selector on the rear to "1(MASTER UNIT)".

- "2(SLAVE UNIT)" is just for the serviceman's use. The TEXT COMPU LINK remote control system does not function with the selector set to "2(SLAVE UNIT)".

3. Connect your CD player, MD recorder and this receiver, using the cables with RCA pin plugs (see page 6).

4. Plug the AC power cords of these components above into the AC outlets.

5. When turning on these components for the first time, turn on the connected components first, then turn on this receiver.

FUNCTIONS:

This remote control system allows you to use the functions listed below.

Displaying the Disc Information on the TV screen
Disc information such as its performer and disc title (and track titles only when a CD Text is selected) is shown on the TV screen.

Disc Search: Only for CD Player

This remote control system can allow you to search discs by the performer, disc title, and music genre. With this disc search, you can easily find the disc you want to play.

Disc Title Input

If your CD player or MD recorder has the disc memory function, you can input the following information about the normal audio CDs or MDs on the TV screen.

- For CDs: Performer, disc title, and music genre.
- For MDs: Disc title and song titles.

What is a CD Text?

In a CD Text, some information about the disc (its disc title, performer, composer, arranger, etc.) is recorded.

Notes:

- If your audio component has two COMPU LINK-3 (SYNCHRO) jacks, you can use either one. If it has only one COMPU LINK-3 (SYNCHRO) jack, connect it so that it is the last item in the series of components. (For example, the CD player in the diagram to the left.)
- If your audio component has two TEXT COMPU LINK jacks, you can use either one. If it has only one TEXT COMPU LINK jack, connect it so that it is the last item in the series of components. (For example, the CD player in the diagram to the left.)
- "TEXT COMPU LINK SOURCE NOT CONNECTED" appears on the display in the following cases:
 - When the connections explained to the left are not correctly done.
 - When you try to use the TEXT COMPU LINK function a few seconds after you turn on the connected equipment. This is not a malfunction of the units.
- Refer also to the manuals supplied with your CD player or MD recorder.

IMPORTANT:

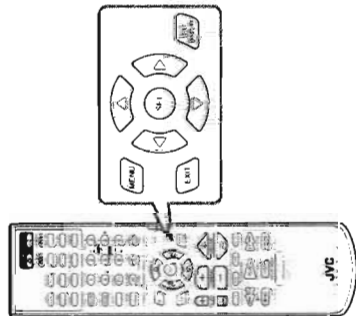
If you turn on the receiver before turning on the other components after connecting the components, the TEXT COMPU LINK remote control system does not work correctly.

- Turn off all the components including this receiver.
- Turn on the connected components.
- Turn on this receiver.

OPERATIONS

To use this remote control system, you need to connect the TV to the MONITOR OUT jack on the rear panel (see page 7), and set the TV's input mode to the proper position to which the receiver is connected. **Make sure you have connected the CD player or MD recorder equipped with the TEXT COMPU LINK remote control system. If not, you cannot use the following functions.**

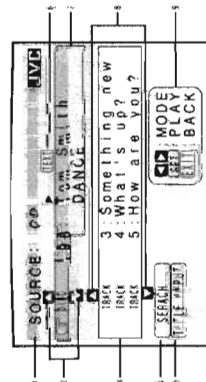
On-Screen Operation buttons (on the remote control)



Showing the Disc Information on the TV Screen

Press TEXT DISPLAY while "CD" or "MD" is selected as the source.

The Disc Information screen appears on the TV.



1. Source name: CD or MD
 2. Select **DISC** or **MD** then press SET to change the disc.
 3. Track numbers and track titles.
 - The current playing (selected) track is indicated in yellow.
 - When you move **UP** to a track number, you can change the track information by pressing **LEFT**. Each time you press the button, track information alternates between its track title and its performer. (You can also start playing the track by pressing SET)
 4. Select this (move **UP** in front), then press SET to go to the DISC SEARCH screen (see page 42).
 5. Select this (move **UP** in front), then press SET to go to the TITLE INPUT screen (see page 43).
 6. This appears only when a CD Text is selected.
 7. Disc information such as the disc title, performer, and music genre.
 - When this is selected (**UP** in front), you can change the disc information by pressing **LEFT**. Each time you press the button, disc information (see "Note on 7") changes.
 - 8. Select **DISC** or **MD** then press SET to change the track.
 - 9. Usable buttons and their functions for the current selection.
- Indication here will be changed according to what is currently selected (**UP** in front) on the screen. See "Note on 9."

Note on 7 :

The following information will appear on the display:

- Disc title
 - Performer
 - Genre
 - Song writer
 - Composer
 - Arranger
 - Message
- Only recorded information will be shown. If there is no data, "NO DATA" will appear.

Note on 9 :

For example, the SET button will be used to start play (PLAY), to go to the next screen (ENTER), and to determine the selection (ENTER).

To exit from the Disc information screen:

Press EXIT.

Notes:

- The on-screen display will disappear in the following case:
 - If no operation is done for about 10 minutes.
 - If you do any operation other than explained in this section.
- To control the MD recorder using the TEXT COMPU LINK remote control system, you have to change the source name shown on the display from "TAPE" to "MD". (See page 12.)
- Some special characters and marks cannot be displayed correctly.

Searching for a Disc (Only for the CD player)

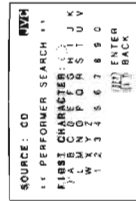
Search for a disc by its performer.

1. Press TEXT DISPLAY while "CD" is selected as the source.

The Disc Information screen appears on the TV.



2. Press **UP** to move **UP** to "SEARCH," then press SET. The DISC SEARCH screen appears.



3. Press **UP** to move **UP** to "PERFORMER," then press SET. The PERFORMER SEARCH screen appears.

4. Press **UP** to move **UP** to the first character of the performer you want to search, then press SET.

To correct the incorrect entry, press **LEFT** / **RIGHT** to move **UP** in front of the correct character, then press SET.

Note:

Symbols such as @, # or \$ cannot be available for search.



5. Press SET again. Disc search starts, then the SEARCH RESULT screen, showing the performers, appears.

6. On the SEARCH RESULT screen, you can do the following:
 - Changing the indication of the disc information: Press **UP** / **DOWN** to move **UP** to a searched disc, then press **LEFT** / **RIGHT**. Each time you press **LEFT** / **RIGHT**, the disc information alternates between its performer and its disc title.
 - Starting a disc play and going to the Disc Information screen (see page 41): Press **UP** / **DOWN** to move **UP** to a searched disc, then press SET.
 - Showing unsearched disc information (if more than 5 discs are listed as a result of the search): Press **UP** / **DOWN** until they appear.
 - Going back to the PERFORMER SEARCH screen: Press EXIT.

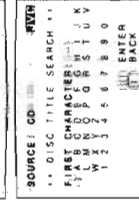
Search for a disc by its disc title:

1. Press TEXT DISPLAY while "CD" is selected as the source.

The Disc Information screen appears on the TV.



2. Press **UP** to move **UP** to "SEARCH," then press SET. The DISC SEARCH screen appears.



3. Press **UP** to move **UP** to "DISC TITLE," then press SET. The DISC TITLE SEARCH screen appears.

4. Press **UP** to move **UP** to the first character of the disc title you want to search, then press SET.

To correct the incorrect entry, press **LEFT** / **RIGHT** to move **UP** in front of the correct character, then press SET.

Note:

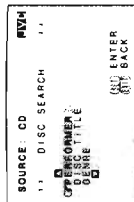
Symbols such as @, # or \$ cannot be available for search.



5. Press SET again. Disc search starts, then the SEARCH RESULT screen, showing the disc titles, appears.

6. On the SEARCH RESULT screen, you can do the following:
 - Changing the indication of the disc information: Press **UP** / **DOWN** to move **UP** to a searched disc, then press **LEFT** / **RIGHT**. Each time you press **LEFT** / **RIGHT**, the disc information alternates between its disc title and its performer.
 - Starting a disc play and going to the Disc Information screen (see page 41): Press **UP** / **DOWN** to move **UP** to a searched disc, then press SET.
 - Showing unsearched disc information (if more than 5 discs are listed as a result of the search): Press **UP** / **DOWN** until they appear.
 - Going back to the DISC TITLE SEARCH screen: Press EXIT.

Search for a disc by its genre:
 1. Press TEXT DISPLAY while "CD" is selected as the source.
 The Disc Information screen appears on the TV.



2. Press Δ / ∇ to move \leftarrow to "SEARCH," then press SET.
 The DISC SEARCH screen appears.



3. Press Δ / ∇ to move \leftarrow to "GENRE," then press SET.
 The GENRE SEARCH screen appears.

4. Press Δ / ∇ to move \leftarrow to the genre you want to search, then press SET.
 To show the unseen genres, press Δ / ∇ until they appear.



Disc search starts, then the SEARCH RESULT screen, showing the disc titles, appears.
 5. On the SEARCH RESULT screen, you can do the following:

- Changing the indication of the disc information: Press Δ / ∇ to move \leftarrow to a searched disc, then press Δ / ∇ . Each time you press Δ / ∇ , the disc information alternates between its disc title and its performer.
- Starting a disc play and going to the Disc Information screen (see page 41): Press Δ / ∇ to move \leftarrow to a searched disc, then press SET.
- Showing unseen disc information (if more than 5 discs are listed as a result of the search): Press Δ / ∇ until they appear.
- Going back to the GENRE SEARCH screen: Press EXIT.

Entering the Disc Information

For the CD Player with the disc memory function:

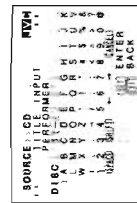
You can use the disc memory function through this receiver. The disc information (its performer, disc title, and music genre) of normal audio CDs, will be stored into the memory built in the CD player.
 For the disc memory function, refer to the manual supplied with your CD player.
 • The performer, disc title, and music genre information are usually recorded in a CD Text. However, if a CD Text has no genre information recorded in the disc itself, you can input its music genre by yourself.

Note:

You can enter the TITLE INPUT screens for a CD Text and input its titles. However, you cannot store the titles you have input for a CD Text.

Example: Entering the following information for Disc 1
 Performer: "MICHAEL,"
 Disc title: "MY FAVORITE."

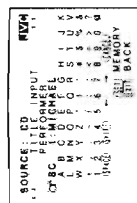
1. Press TEXT DISPLAY while "CD" is selected as the source.
 The Disc Information screen appears on the TV.



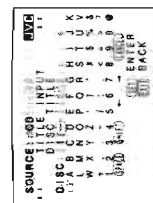
2. Press Δ / ∇ to move \leftarrow to "TITLE INPUT," then press SET.
 The TITLE INPUT: PERFORMER screen appears.

3. Press $\Delta / \nabla / \triangleleft / \triangleright$ to move \leftarrow in front of a character you want, then press SET to enter the character.
 • If the current CD is a CD Text, go to step 5 without entering the performer.
 To use the lower case letters, press $\Delta / \nabla / \triangleleft / \triangleright$ to move \leftarrow to $\left[\text{LOWER CASE} \right]$, then press SET.
 To use the upper case letters again, press $\Delta / \nabla / \triangleleft / \triangleright$ to move \leftarrow to $\left[\text{UPPER CASE} \right]$, then press SET.

4. Repeat step 3 until you finish putting a performer name (up to 32 characters).
 To insert a space, press $\Delta / \nabla / \triangleleft / \triangleright$ to move \leftarrow to $\left[\text{SPACE} \right]$, then press SET.
 To correct an incorrect character:
 1) Press $\Delta / \nabla / \triangleleft / \triangleright$ to move \leftarrow to \leftarrow , then press SET until the incorrect character is selected.
 2) Press $\Delta / \nabla / \triangleleft / \triangleright$ to move \leftarrow to $\left[\text{DELETE} \right]$, then press SET to erase the character.
 3) Press $\Delta / \nabla / \triangleleft / \triangleright$ to move \leftarrow in front of the correct character, then press SET to enter a correct character.



5. Press $\Delta / \nabla / \triangleleft / \triangleright$ to move \leftarrow to "DISC 1: MICHAEL (in this example)," then press SET.
 The TITLE INPUT: DISC 1 screen appears.



6. Enter the disc title, referring to steps 3 and 4.
 • If the current CD is a CD Text, go to the next step without entering the disc title.



7. Press $\Delta / \nabla / \triangleleft / \triangleright$ to move \leftarrow to "DISC 1: MY FAVORITE (in this example)," then press SET.
 The TITLE INPUT: DISC 1 GENRE screen appears.

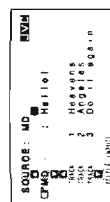


8. Press Δ / ∇ to move \leftarrow to the genre you want, then press SET.
 The Disc Information screen appears again.
 To show the unseen genres, press Δ / ∇ until they appear.

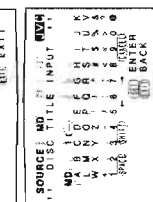
For the MD recorder:

You can write the disc information (disc title and song titles) into the disc. You can only write the song title for the song currently selected.
 • If you have the CD-MD combination deck, you can also enter the disc information (its performer, disc title, and its music genre) of normal audio CDs into the memory built in the CD-MD combination deck. (To do this, follow the procedure of "For the CD Player with the disc memory function" to the left.)
 • If you change the disc or song title with more than 32 characters, the characters following the 32nd will be erased from the title.

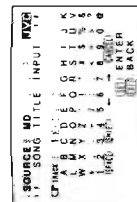
1. Press TEXT DISPLAY while "MD" is selected as the source.
 The Disc Information screen appears on the TV.



2. Press Δ / ∇ to move \leftarrow to "TITLE INPUT," then press SET.
 The DISC TITLE INPUT screen appears.



3. Enter the title, referring to steps 3 and 4 of "For the CD Player with the disc memory function" to the left.
 • You can enter up to 32 characters for the disc title.



4. Press $\Delta / \nabla / \triangleleft / \triangleright$ to move \leftarrow to the disc title you have just entered, then press SET.
 The disc title is stored into the memory, and the SONG TITLE INPUT screen for the currently selected song appears.
 • You can enter a song title for the song (currently selected (indicated in yellow on the TV screen)).

5. Enter the song title, referring to steps 3 and 4 of "For the CD Player with the disc memory function" to the left.
 • You can enter up to 32 characters for the song title.

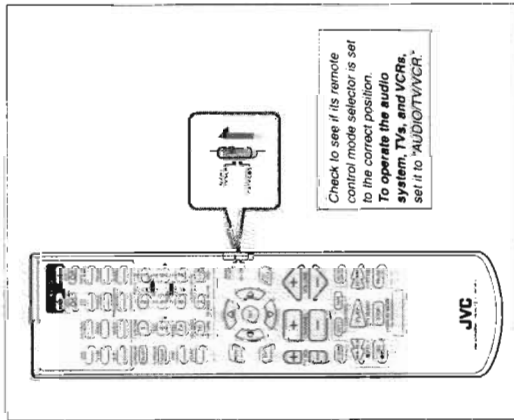
6. Press $\Delta / \nabla / \triangleleft / \triangleright$ to move \leftarrow to the song title you have just entered, then press SET.
 The song title is stored into the memory, and the Disc Information screen appears again.

Operating JVC's Audio/Video Components

You can operate JVC's audio and video components with this receiver's remote control, since control signals for JVC components are preset in the remote control.

IMPORTANT:

- To operate JVC's audio components using this remote control, you need to connect JVC audio components through the COMP1 LINK-3 (SYNCHRO) jacks (see page 39) in addition to the connections using cables with RCA pin plugs (see pages 5 and 6).
- Aim the remote control directly at the remote sensor on the receiver.
- If you use the buttons on the front panel or the menu function to choose a source, the remote control will not operate that source. To operate a source with the remote control, the source must be selected using source selecting buttons on the remote control.
- To operate the cassette deck or MD recorder using the COMP1 LINK remote control system, set the source name correctly. (See page 12.)
- Refer also to the manuals supplied with your components.



Turntable

After pressing PHONO (with the remote control mode selector set to "AUDIO/TV/VCR"), you can perform the following operations on a turntable:

- PLAY: Starts playing.
STOP: Stops operations.

Cassette deck

After pressing TAPE/MD or TAPE CONTROL (with the remote control mode selector set to "AUDIO/TV/VCR"), you can perform the following operations on a cassette deck:

- PLAY: Starts playing.
Fast winds the tape from right to left.
Fast winds the tape from left to right.
STOP: Stops operations.
PAUSE: Pauses playing. To release it, press PLAY.
REC: Press this button with the PLAY button to start recording.
Press this button with the PAUSE button to enter recording pause.

MD recorder

After pressing TAPE/MD or TAPE CONTROL (with the remote control mode selector set to "AUDIO/TV/VCR"), you can perform the following operations on the MD recorder:

- PLAY: Starts playing.
Returns to the beginning of the current (or previous) track.
Skips to the beginning of the next track.
STOP: Stops playing.
PAUSE: Pauses playing. To release it, press PLAY.
REC: Press this button with the PLAY button to start recording.
Press this button with the PAUSE button to enter recording pause.

Note:

You can use either TAPE/MD button or the TAPE CONTROL button to activate the buttons listed above. If you press TAPE/MD, the playing source also changes. On the other hand, if you press TAPE CONTROL, the playing source does not change.

VCR

You can always perform the following operations (with the remote control mode selector set to "AUDIO/TV/VCR"):

VCR 1 \odot /: Turns on or off the VCR.

After pressing VCR 1 or VCR 1 CONTROL (with the remote control mode selector set to "AUDIO/TV/VCR"), you can perform the following operations on the VCR.

- 1 - 9, 0: Selects the TV channels on VCR.
PLAY: Starts playing.
Fast winds a tape.
STOP: Stops operations.
PAUSE: Pauses playing. To release it, press PLAY.
REC: Press this button with the PLAY button to start recording.
Press this button with the PAUSE button to enter recording pause.
CHANNEL +/-: Changes the TV channels on the VCR.

Note:

You can use either VCR 1 button or the VCR 1 CONTROL button to activate the buttons listed above. If you press VCR 1, the playing source also changes. On the other hand, if you press VCR 1 CONTROL, the playing source does not change.

DVD player

After pressing DVD or DVD MULTI (with the remote control mode selector set to "AUDIO/TV/VCR"), you can perform the following operations on a DVD player:

- PLAY: Starts playing.
Returns to the beginning of the current (or previous) track.
STOP: Stops playing temporarily. To release it, press PLAY.
PAUSE: Stops playing temporarily. To release it, press PLAY.

Note:

After pressing DVD or DVD MULTI, these buttons can be used for the DVD menu operations.
For detailed menu operations, refer to the instructions supplied with the discs or the DVD player.

TV

You can always perform the following operations (with the remote control mode selector set to "AUDIO/TV/VCR"):

TV/CATV/DBS \odot /: Turns on or off the TV.

TV VOL +/-: Adjusts the volume.

TV VIDEO: Sets the input mode (either TV or VIDEO).

After pressing TV/DBS (with the remote control mode selector set to "AUDIO/TV/VCR"), you can perform the following operations on a TV:

- CHANNEL +/-: Changes the channels.
1 - 9, 0, 100+: Selects the channel.
RETURN: Alternates between the previously selected channel and the current channel.

Sound control section (Amplifier)

You can always perform the following operations (with the remote control mode selector set to "AUDIO/TV/VCR"):

SURROUND ON/OFF: Turns on or off the Surround modes.
Dolby Pro Logic, Dolby Digital, DTS Digital Surround, and MP3/MultiChannel.

SURROUND MODE: Selects the DSP modes.

After pressing SOUND (with the remote control mode selector set to "AUDIO/TV/VCR"), you can perform the following operations:

- SEA MODE: Changes the SEA modes.
SUBWOOFER +/-: Adjusts the subwoofer output level.
CNTR +/-: Adjusts the center speaker output level.
REAR-L +/-: Adjusts the left rear speaker output level.
REAR-R +/-: Adjusts the right rear speaker output level.
EFFECT: Selects the effect level.
TEST: Turns on or off the test tone output.
CNTR TONE: Selects the center tone.

Note:

After adjusting sounds, press the corresponding source selecting button or DISC to operate your target source by using the 10 keys; otherwise, the 10 keys cannot be used for operating your target source.

CD player

After pressing CD (with the remote control mode selector set to "AUDIO/TV/VCR"), you can perform the following operations on the CD player:

- PLAY: Starts playing.
Returns to the beginning of the current (or previous) track.
Skips to the beginning of the next track.
STOP: Stops playing.
PAUSE: Pauses playing. To release it, press PLAY.
1 - 10, +10: Selects a track number directly.
For track number 5, press 5.
For track number 20, press +10, then 5.
For track number 30, press +10, +10, then 10.

CD player-changer

After pressing DISC (with the remote control mode selector set to "AUDIO/TV/VCR"), you can perform the following operations on a CD player-changer:

- PLAY: Starts playing.
Returns to the beginning of the current (or previous) track.
STOP: Stops playing.
PAUSE: Pauses playing. To release it, press PLAY.
1 - 6, 7/P: Selects the number of a disc installed in a CD player-changer.

After pressing CD (with the remote control mode selector set to "AUDIO/TV/VCR"), you can perform the following operations on the CD player-changer:

- 1 - 10, +10: Selects a track number directly.
For track number 5, press 5.
For track number 15, press +10, then 5.
For track number 20, press +10, then 10.
For track number 30, press +10, +10, then 10.

Tuner

After pressing FM/AM (with the remote control mode selector set to "AUDIO/TV/VCR"), you can perform the following operations:

- FM/AM: Alternates between FM and AM (MW/LW).
1 - 10, +10: Selects a preset channel number directly.
For channel number 5, press 5.
Five-channel number 15, press +10, then 5.
For channel number 20, press +10, then 10.

FM MODE/MUTING: Changes the FM reception mode.

PTY SEARCH: Searches for a program by PTY codes.

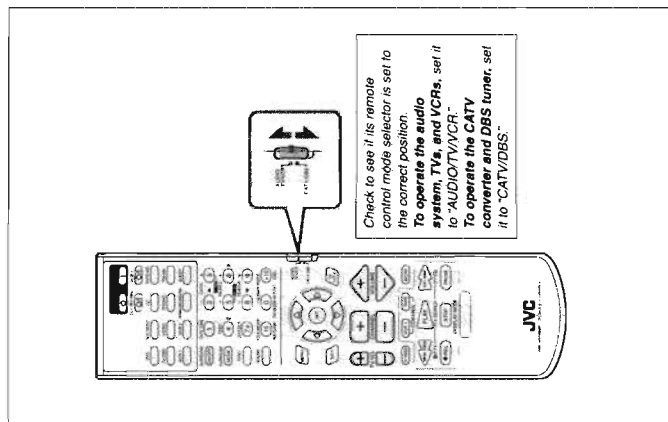
PTY +/-: Selects the PTY codes.

DISPLAY MODE: Shows the RDS signals.

Operating Other Manufacturers' Video Equipment

This remote control supplied with the receiver can transmit control signals for other manufacturers' VCRs, TVs, CATV converters and DBS tuners. By changing the transmittable signals from preset ones to the other manufacturers', you can operate the other manufacturer's components using this remote control.

When operating the other manufacturers' components, refer also to the manuals supplied with them. To operate these components with the remote control, first you need to set the manufacturer's code each for VCR, TV, CATV converters, and DBS tuner.



To change the transmittable signals for operating another manufacturer's TV

1. Set the remote control mode to "AUDIO/TV VCR."
2. Press and hold TV/CATV/DBS \odot /I.
3. Press TV/DBS.
4. Enter manufacturer's code (three digits) using buttons 1 - 9, and 0.
See the list on pages 49 to 51 to find the code.
Examples: For a JVC product, press 0, 3, then 6.
For a Hitachi product, press 0, 3, then 2.

TV/CATV/DBS \odot /I: Turns on and off the TV.
TV VOL +/-: Adjusts the volume.
TV/VIDEO: Sets the input mode (either TV or VIDEO).

After pressing TV/DBS (with the remote control mode selector set to "AUDIO/TV/VCR"), you can perform the following operations on a TV:

CHANNEL +/-: Changes the channels.
1 - 10, 0, 100+ (+10): Selects the channels.
100+ (+10) button will function as the ENTER button if your TV requires pressing ENTER after selecting a channel number.

Note:
Refer to the manual supplied with your TV.

6. Try to operate your TV by pressing TV/CATV/DBS \odot /I.

When your TV turns on or off, you have entered the correct code.
If there are more than one code listed for your brand of TV, try each one until the correct one is entered.

To change the transmittable signals for operating a CATV converter or DBS tuner

1. Set the remote control mode to "CATV/DBS."
2. Press and hold TV/CATV/DBS \odot /I.
3. Press TV/DBS.
4. Enter manufacturer's code (three digits) using buttons 1 - 9, and 0.
See the list on pages 51 and 52 to find the code.
Examples: For a JVC product, press 5, 1, then 5.
For a Philips product, press 2, 0, then 0.

5. Release TV/CATV/DBS \odot /I.
After setting the remote control mode selector to "CATV/DBS," you can perform the following operations on the CATV converter or on the DBS tuner:

TV/CATV/DBS \odot /I: Turns on and off the CATV converter or DBS tuner.

CHANNEL +/-: Changes the channels.
1 - 10, 0, 100+ (+10): Selects the channel.
100+ (+10) button will function as the ENTER button if your equipment requires pressing ENTER after selecting a channel number.

Note:
Refer to the manual supplied with your CATV converter or DBS tuner.

6. Try to operate your CATV converter or DBS tuner by pressing TV/CATV/DBS \odot /I.

When your CATV converter or DBS tuner turns on or off, you have entered the correct code.
If there are more than one code listed for your brand of CATV converter or DBS tuner, try each one until the correct one is entered.

To change the transmittable signals for operating another manufacturer's VCR

1. Set the remote control mode to "AUDIO/TV VCR."
2. Press and hold VCR 1 \odot /I.
3. Press VCR 1.
4. Enter manufacturer's code (three digits) using buttons 1 - 9, and 0.
See the list on pages 52 and 53 to find the code.
Examples: For a JVC product, press 0, 0, then 8.
For a Funai product, press 0, 0, then 0.

5. Release VCR 1 \odot /I.
Following button can be used for operating the VCR (with the remote control mode selector set to "AUDIO/TV/VCR"):

VCR 1 \odot /I: Turns on and off the VCR.

After pressing VCR 1 or VCR 1 CONTROL (with the remote control mode selector set to "AUDIO/TV/VCR"), you can perform the following operations on the VCR:

CHANNEL +/-: Changes the TV channels on the VCR.
1 - 10, 0, 100+ (+10): Selects the TV channel.
100+ (+10) button will function as the ENTER button if your VCR requires pressing ENTER after selecting a channel number.

PLAY: Starts playback.
⏮: Rewinds a video tape.
⏪: Fast winds a video tape.
STOP: Stops operation.
PAUSE: Pauses.
● REC: Starts recording or enters recording pause.

Notes:

- Refer to the manual supplied with your VCR.
- You can use either VCR 1 button or the VCR 1 CONTROL button to activate the buttons listed above. If you press VCR 1, the playing source also changes. On the other hand, if you press VCR 1 CONTROL, the playing source does not change.

6. Try to operate your VCR by pressing VCR 1 \odot /I.

When your VCR turns on or off, you have entered the correct code.
If there are more than one code listed for your brand of VCR, try each one until the correct one is entered.

Manufacturers' codes for TV

Acura	009	037, 548
Admiral	218, 320	
Adyson	009	
AGB	087, 213, 361	
Akai	012, 037	
Alba	206	
Allergan	009, 036, 037, 211, 218, 235, 371	
Amplivision	217, 400	
Amstrad	009, 037, 171, 177, 354, 362, 369, 371, 412, 433, 516	
Anitech	009, 068, 076	
Arcam	216, 217	
ASA	087	
Asberg	076	
Asuka	218	
Atlantic	206	
Audioionic	037, 109	
Autovox	076, 087, 206, 336	
Baird	343, 557	
Bang & Olufsen	080	
Barco	380	
Basic Line	009, 218	
Baur	010, 037, 349, 361, 505, 512, 535, 554	
Beko	070, 486	
Beon	037	
Binatone	217	
Blaupunkt	191, 195, 200, 213, 327, 328, 535, 554	
Blue Sky	218	
Blue Star	282	
Bondstec	247	
Boots	217	
BPL	282	
Brand	109, 196, 198, 205, 333, 335	
Bronvega	087, 362	
Britannia	216	
Bruno	294	
BSR	087	
BTC	218	
Bush	009, 036, 037, 211, 218, 282, 294, 349, 355, 371, 374, 519	
Carrefour	036	
Cascade	009	
Cathay	037	
Centurion	037	
Century	087, 213	
CGE	074, 076, 084, 247, 306	
Cilime	009	
Clarivox	076, 247, 370	
Clayton	385	
Clayton	320, 370	
Condor	009, 036, 216	
Contec	009, 036, 216	
Continental Edison	074, 076, 084, 087, 213	
Crosley	009, 037, 076, 370, 418, 579	
Crown	431	
Crystal	216	
CS Electronics	247	
CTC	247	
Cybertron	218	
Daewoo	009, 037, 374, 499	
Dainichi	215, 218	
Dansal	037	
Dayton	009	
De Graaf	206, 227, 548	
Decca	037, 072, 249, 516	
Deki	009, 037	
Dual	336, 352, 519	
Dual Tec	217	
Dumont	070, 087	
Elbe	259	
Elin	037, 548	
Elite	218, 320	
Elia	009	
Emerson	087, 213, 361	
Erres	012, 037	
Europhon	206	
Expert	009, 036, 037, 211, 218, 235, 371	
Ferguson	343	
Fidelity	009, 037, 171, 177, 354, 362, 369, 371, 412, 433, 516	
Finlandia	208, 346, 359	
Finlux	037, 070, 072, 087, 105, 179, 346, 411, 516	
Firslime	009, 216, 217, 247, 294, 321	
Fisher	208, 217, 303, 370	
Flint	455	
Formenti	037, 087, 213, 320	
Fronleich	163, 247, 264, 431, 448	
Fujitsu	072, 206	
Fujitsu	179, 264, 294, 303	
Funai	037, 043, 072, 205, 217, 516, 557	
GEC	009, 213	
Geloso	163, 218	
Genexxa	037, 109, 217, 290	
Goldstar	036, 037, 072, 179, 217, 235, 257, 317, 343, 371, 374, 499	
Goodmans	370	
Gorenje	218	
GPM	163, 361, 557	
Graetz	037, 072, 146, 201, 208, 217, 339, 359, 516	
Granada	282	
Grandin	070, 191, 195, 205, 487, 535, 554	
Grundig	037, 320, 361, 556	
Hanseatic	516	
Hantarex	257	
Harwood	009, 282, 412	
HCM	009, 036, 037, 179, 218	
Hinari	282, 400, 455	
Hisawa	032, 036, 043, 044, 105, 109, 163, 196, 198, 217, 225, 227, 306, 349, 481, 548, 557, 374	
Hitachi	037, 216, 374	
Huanyu	037, 264, 282	
Hypson	217, 264, 371	
ICE	218	
ICeS	074, 076, 084, 247, 370, 418	
Imperial	037	
Indiana	163, 557	
Ingelen	072, 516	
Inno Hit	068	
Interbuy	037, 163, 247, 361, 512, 557	
Interfunk	037, 068, 102, 217, 264	
Intervision	218	
Isukai	371	
ITS	163, 361, 548, 557	
ITT	036, 053, 094, 190, 192, 371, 800	
JVC	009, 216, 217, 218, 282	
Kaisai	163, 206, 557	
Karash	556	
Karmin	037, 235, 362	
Kendo	216	
Kingsley	259, 435	
Kneissel	037	
Korpal	087	
Korting	009	
Koyoda	037, 072, 264, 284	
Leyco	037	
Liesenk & Tier	032	
Lioytron	075, 087, 512	
Loewe	206	
Luma		

Luxor	349, 361	
M Electronic	009, 037, 068, 105, 109, 163, 217, 287, 346, 374, 480	
Magnadyne	087, 102, 247, 516	
Magnatone	076, 102, 213, 516	
Manestrin	217, 235, 264, 320	
Marantz	037, 556	
Marrelli	087	
Mark	037	
Matsui	009, 011, 035, 036, 037, 072, 177, 208, 211, 217, 235, 294, 354, 355, 371, 443, 487, 516, 579	
McMichael	012, 037	
Mediator	009	
Memorex	009	
Memphis	337	
Mez	087, 213, 367, 535	
Minerva	070, 487, 535, 554	
Mitsubishi	369, 412	
Mivara	036, 087, 108, 150, 201, 354, 512, 535	
Molton	216, 290, 291, 292, 516	
MTC	349, 512	
Multitech	009, 076, 102, 216	
Neckermann	037, 087, 191, 213, 349, 505, 554, 556	
NEI	037, 337, 431	
Nesco	179	
Nikkai	032, 035, 037, 072, 216, 218, 264, 337, 076, 102	
Nobiko	361, 480, 548	
Nokia	109, 196, 198, 213, 287, 343	
Nordmende	163, 215, 361	
Oceanic	433	
Onwa	037, 177, 235, 294, 320, 321, 355, 443, 516	
Orion	032, 072, 217, 218, 257, 264, 412	
Osaki	037, 072, 157	
Oso	218	
Osume	320, 072, 157	
Otake	317	
Otto Versand	010, 036, 037, 191, 213, 217, 320, 343, 349, 505, 512, 535, 554, 556	
Palladium	370, 418	
Panama	107, 264	
Panasonic	100, 126, 163, 213, 214, 226, 250, 340, 367, 557	
Pathe Cinema	213, 216, 238, 320	
Pathe Marconi	196, 198, 205, 333	
Fausa	009	
Perdio	009	
Phase	032	
Phico	074, 076, 084, 087, 213, 247	
Philips	012, 037, 043, 087, 323, 374, 554, 556	
Phoenix	087	
Phonola	012, 037, 087	
Pioneer	109, 163, 287	
Prandoni Prince	516	
Proflex	009, 076, 361	
Proline	321	
Protech	009, 037, 102, 217, 247, 264, 337, 418, 431	
Pye	012	
Quelle	010, 011, 037, 070, 074, 084, 200, 213, 306, 327, 328, 361, 505, 512, 535, 554, 036	
Quesia	037	
R-Line	012, 037, 323	
Radiola	087, 516	
Radiomarelli	036	
Rank Arena	070, 089	
RBM	201, 361	
Redifusion	102	
Revox	037	

Rex	163, 206, 259, 264	
RFT	087	
Roadstar	009, 218, 264, 418	
Saba	075, 087, 109, 163, 196, 198, 205, 213, 287, 335, 343, 557	
Saccs	238	
Saikou	257	
Saisho	009, 011, 177, 211, 235, 264, 354, 431, 516	
Salora	163, 349, 359, 361, 548	
Sambers	076, 102, 213, 516	
Samsung	009, 037, 090, 217, 264, 290, 370, 488, 556	
Sandra	216	
Sanyo	011, 036, 072, 146, 157, 208, 213, 339	
Schaub Lorenz	361, 557	
SBR	012, 037, 043	
Schneider	037, 218, 247, 303, 323, 336, 352, 371, 394	
SEG	036, 076, 217, 264	
SEI	087, 102, 177, 213, 294	
Seh-Studynhe	010, 516	
Seleco	163, 206, 259, 362, 411	
Senra	035	
Sharp	036, 093	
Shorai	294	
Siemans	087, 102, 213, 516	
Siemens	037, 157, 191, 195, 200, 213, 327, 328, 535, 554	
Silver	036	
Singer	087, 102, 177, 213, 235, 294	
Sinudyne	032, 163	
Solavox	208	
Sonitron	009, 037	
Sonoko	163, 208, 215	
Sontec	037	
Sony	010, 011, 036, 505	
Soundwave	037, 418	
Standard	009, 217, 218	
Stern	163, 206, 259	
Sunkai	294, 321, 355	
Susumu	218	
Sysline	037	
Tandy	072, 163, 217, 218	
Tashiko	036, 043, 217, 359	
Talung	037, 072, 217, 249, 516	
Tec	217, 247	
Technema	320	
Technics	250	
Technol Ace	179	
Teleavaia	205, 333, 343	
Telefunken	005, 074, 084, 101, 109, 213, 262, 306, 335, 343, 471, 498, 625	
Telemaster	320	
Teletech	009	
Teleton	206, 217, 349	
Tensai	218, 294, 317, 320	
Texet	216, 218	
Thomson	109, 196, 198, 205, 287, 333, 343, 349, 399	
Thorn	035, 037, 072, 074, 084, 190, 192, 343, 361, 499, 505, 512, 535, 553	
Tomashi	282	
Tohiba	035, 036, 070, 089, 243, 508, 553	
Triumph	177, 243, 516	
Uher	206, 303, 320	
Ultra	192	
Ultravox	102	
Unversum	037, 105, 264, 346, 370, 421, 492, 535	

Troubleshooting

Use this chart to help you solve daily operational problems. If there is any problem you cannot solve, contact your JVC service center.

PROBLEM	POSSIBLE CAUSE	SOLUTION
The display does not light up	The power cord is not plugged in.	Plug the power cord into an AC outlet.
No sound from speakers.	Speaker signal cables are not connected.	Check speaker wiring and reconnect if necessary.
	The SPEAKERS 1 and 2 buttons are not set correctly.	Press SPEAKERS 1 and 2 correctly.
	An incorrect source is selected.	Select the correct source.
	Muting is activated.	Press MUTING to cancel the mute.
Sound from one speaker only	Speaker signal cables are not connected properly	Check speaker wiring and reconnect if necessary.
	The balance is set to one extreme.	Adjust the balance properly (see page 12).
Continuous hiss or buzzing during FM reception.	Incoming signal is too weak.	Connect an outdoor FM antenna or contact your dealer.
	The station is too far away.	Select a new station.
	An incorrect antenna is used.	Check with your dealer to be sure you have the correct antenna.
	Antennas are not connected properly	Check connections.
Occasional crackling noise during FM reception.	Ignition noise from automobiles.	Move the antenna further from automobile traffic.
No colors on the on-screen display.	The color system of the connected TV is not PAL.	Connect a PAL, or multi color system TV.
Howling during record playing.	Your turntable is too close to speakers.	Move speakers away from the turntable.
"OVERLOAD" starts flashing on the display.	Speakers are overloaded because of high volume.	Rotate the MASTER VOLUME control counterclockwise three or four times, then press STANDBY/ON (O) on the front panel. If "OVERLOAD" does not disappear, unplug the AC power cord, then plug it back again.
	Speakers are overloaded because of short circuit of speaker terminals.	Press STANDBY/ON (O) on the front panel, then check the speaker wiring. If "OVERLOAD" does not disappear, unplug the AC power cord, then plug it back again. If speaker wiring is not short-circuited, contact your dealer.
Remote control does not work.	The remote control inside selector is not set correctly.	Set the selector correctly either to "AUDIO/TV/VCR" or to "CATV/DIRS."
	There is an obstruction in front of the remote sensor on the receiver.	Remove the obstruction.
	Batteries are weak.	Replace batteries.

Samsung	240, 432
Sansui	041, 067, 271
Sanyo	046, 104
Saville	352
SBR	081
Schaub Lorenz	000, 005, 041, 104, 344
Schneider	000, 072, 081
SEG	240, 322
SEI	004, 081
Seleco	041
Senlra	020
Sharp	048
Shimlom	072, 104
Shorai	004
Siemens	003, 006, 016, 037, 054, 081, 104, 195
Silva	037
Singer	045
Sinudyne	004, 081
Solavox	020
Sonorol	046
Sonotec	037
Sony	011, 032, 033, 034
Sunkai	348
Sunstar	000
Suntronic	000
Tashiko	000
Tatung	000, 041, 081
Tec	020
Technics	162, 226
Televia	041
Telefunken	041, 187, 320, 321, 384
Tenosal	072
Tensai	000, 322
Thomson	041, 320, 384
Thorn	036, 041, 084, 104
Toshiba	041, 043, 045, 081, 384
Towada	322
Triumph	208
Uher	240, 344
Ultravox	049, 344
Universum	000, 006, 016, 037, 049, 081, 106, 195, 240, 325
White Westinghouse	344
Yamishi	072
Yokan	072
Yoko	020, 240

Manufacturers' codes listed on pages 49 to 53 are subject to change without notice. If they are changed, this remote control cannot operate the equipment.

Specifications

Amplifier

Output Power

At Stereo operation:
 Front channels: 100 watts per channel, min. RMS, driven into 4 ohms, 1 kHz, with no more than 0.8% total harmonic distortion. (IEC268-3/DIN)
 At Surround operation:
 Front channels: 70 watts per channel, min. RMS, driven into 4 ohms at 1 kHz, with no more than 0.8% total harmonic distortion.
 Center channel: 70 watts, min. RMS, driven into 4 ohms, at 1 kHz, with no more than 0.8% total harmonic distortion.
 Rear channels: 70 watts per channel, min. RMS, driven into 4 ohms at 1 kHz, with no more than 0.8% total harmonic distortion.
 Total Harmonic Distortion (8 ohms): 0.02%* at 50 watts output (20 Hz to 20 kHz)
 (* Measured by JVC Audio Analysis System)

Audio

Audio Input Sensitivity/Impedance (1 kHz):
 PHONO (MM): 2.5 mV/47 kohms
 CD, TAPE/MD, TV SOUND/DBS, VCR 1, VCR 2, VIDEO, DVD: 200 mV/47 kohms
 Audio Input (DIGITAL IN):
 Coaxial: DIGITAL 1 (DBS): 0.5 Vp-p/75 ohms
 Optical: DIGITAL 2 (DVD), DIGITAL 3 (CD): -21 dBm to -15 dBm (660 nm ±30 nm)
 * Corresponding to Linear PCM, Dolby Digital, DTS Digital Surround, and MPEG Multichannel (with sampling frequency = 32 kHz, 44.1 kHz, 48 kHz)
 TAPE/MD, VCR 1, VCR 2: 200 mV
 PHONO: 70 dB/66 ohms (at REC OUT)
 CD, TAPE/MD, TV SOUND/DBS, VCR 1, VCR 2, VIDEO, DVD: 91 dB/67 ohms
 PHONO: 20 Hz to 20 kHz (±1 dB)
 CD, TAPE/MD, TV SOUND/DBS, VCR 1, VCR 2, VIDEO, DVD: 20 Hz to 20 kHz (±1 dB)
 RIAA Phono Equalization: ±1.0 dB (20 Hz to 20 kHz)
 Loudness Control (Volume Control at -30 dB): +6 ±1.0 dB at 100 Hz
 -4 ±1.0 dB at 10 kHz
 SEA: 100 Hz, 1 kHz, 10 kHz
 Control range: ±10 dB ±2 dB

Video

Video Input Sensitivity/Impedance:
 Composite video: TV SOUND/DBS, VCR 1, VCR 2, VIDEO, DVD: 1 Vp-p/75 ohms
 S-video: TV SOUND/DBS, VCR 1, VIDEO, DVD; (Y: luminance); (C: chrominance; burst): 0.286 Vp-p/75 ohms
 Video Output Level:
 Composite video: VCR 1, VCR 2, MONITOR OUT: 1 Vp-p/75 ohms
 S-video: VCR 1, MONITOR OUT: (Y: luminance); (C: chrominance; burst): 0.286 Vp-p/75 ohms
 Synchronization: Negative
 Signal-to-Noise Ratio: 45 dB
 On-Screen Color System: PAL

FM tuner (JHF)

Tuning Range: 87.50 MHz to 108.00 MHz
 Usable Sensitivity: 12.8 dBf (1.2 µV/75 ohms)
 50 dB Quieting Sensitivity: 21.3 dBf (3.2 µV/75 ohms)
 41.3 dBf (31.5 µV/75 ohms)
 Signal-to-Noise Ratio (HF-A weighted): 78 dB at 85 dBf
 73 dB at 85 dBf
 Total Harmonic Distortion: 0.4% at 1 kHz
 0.6% at 1 kHz
 Stereo Separation at REC OUT: 35 dB at 1 kHz
 Alternate Channel Selectivity: 45 dB: (±400 kHz)
 Frequency Response: 30 Hz to 15 kHz: (±0.5 dB, -3 dB)

AM (MW/LW) tuner

Tuning Range: MW: 522 kHz to 1,629 kHz
 LW: 144 kHz to 288 kHz
 Usable Sensitivity: Loop antenna
 Signal-to-Noise Ratio: 50 dB (100 mV/m)

General

Power Requirements: AC 230V ~, 50 Hz
 Power Consumption: 250 watts (at operation)
 2 watts (in standby mode)
 Dimensions (W x H x D): 435 x 157 x 412.5 mm
 (17 1/2 x 6 1/8 x 16 1/2 inches)
 Mass: 11.3 kg (25.0 lbs)

Designs & specifications are subject to change without notice.

Disassembly method

■ Removing the top cover

(See Fig. 1)

1. From behind body, remove the four screws 1 retaining the both side and three screws 2 retaining the top cover from the rear side.
2. Lift the back of the top cover spreading both sides to remove.

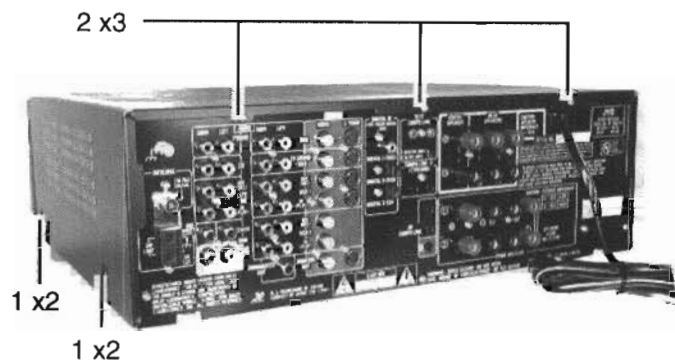


Fig. 1

■ Removing the front panel

(See Fig. 2 and Fig. 3)

1. Remove the top cover.
2. Disconnect the six connectors CN202, CN206, CN244, CN400, CN402 and CN416. and cut the wire holders.
3. Remove the three screws 3 retaining the front panel and five screws 4 retaining the front panel from the bottom side.
4. Remove the front panel assembly.

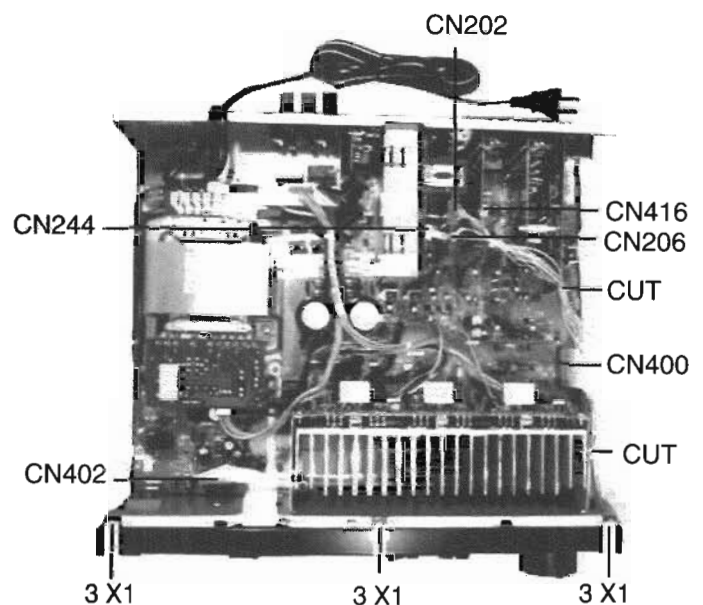


Fig. 2

■ Removing the rear panel

(See Fig. 4)

1. Remove the top cover.
2. Pull out the power cord stopper 5.
3. Remove the 28 pieces screws 6 retaining the rear panel.
4. Remove the rear panel.

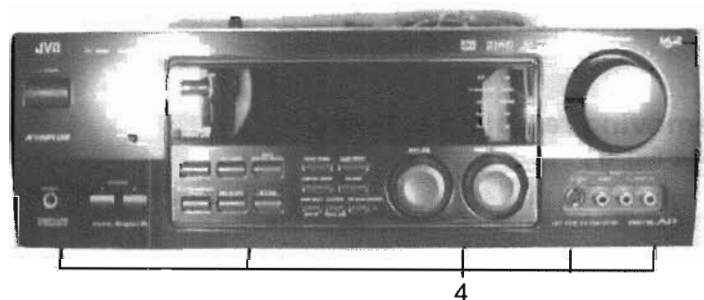


Fig. 3

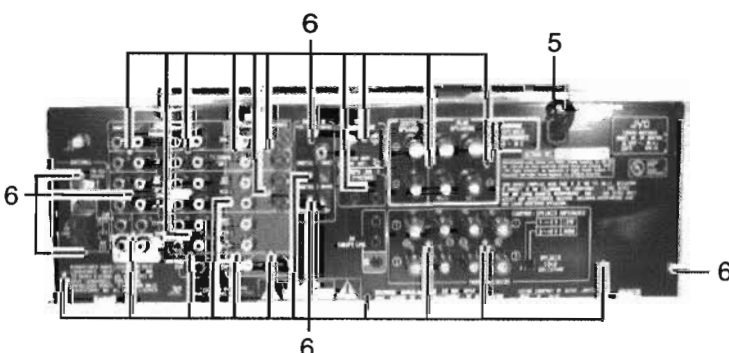


Fig. 4

■ **Removing front p.c. board**

(See Figs. 5 and 6)

1. Remove the top cover.
2. Remove the front panel.
3. Pull out the volume knob 7, then turn off to counterclockwise the volume nut 8.
4. Remove the six screws 9 and disconnect connector wire at CN422 A and CN430 B.
5. Remove the front p.c. board.



Fig. 5

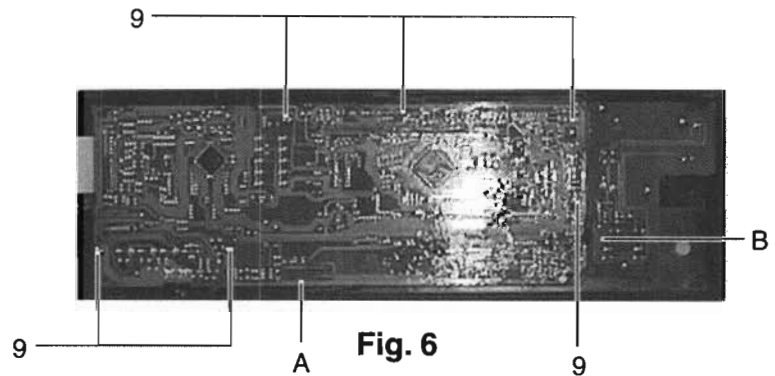


Fig. 6

■ **Removing switch p.c. board**

(See Fig. 7)

1. Remove the top cover.
2. Remove the front panel.
3. Remove the front p.c. board.
4. Remove the six screws C and disconnect connector wire at CN422 D and CN430 E.
5. Remove the p.c. board cover from four engagements F at front panel.
6. Remove the switch p.c. board.

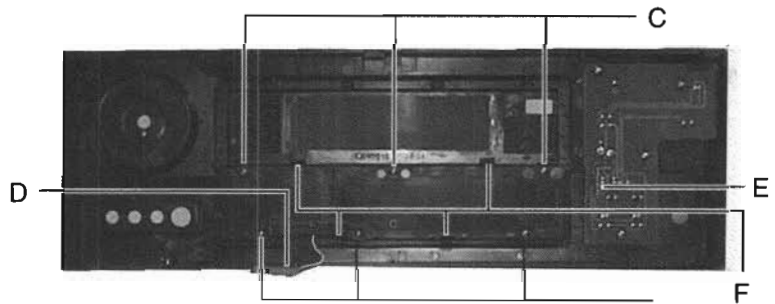


Fig. 7

■ **Removing remote p.c. board**

(See Fig. 8)

1. Remove the top cover.
2. Remove the front panel.
3. Remove four screws G.
4. Remove the remote p.c. board.

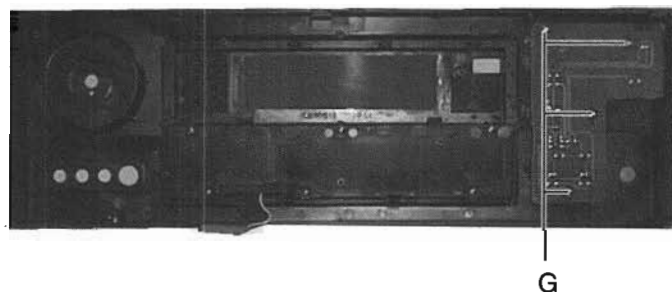


Fig. 8

■ Removing the main p.c. board

(See Fig. 9)

1. Remove the top cover.
2. Remove the front panel.
3. Remove the rear panel.
4. Remove the joint p.c.board H,land J.
5. Remove the pre amp p.c. board K.
6. Remove the tuner p.c. board L.
7. Remove the SEA p.c. board M.
8. Remove the analog p.c. board N.
9. Remove the center tone p.c. board O.
10. Remove the V-audio p.c. board P.
11. Remove the video p.c. board Q.
12. Remove the S-video p.c. board R.
13. Remove the TXT compulink p.c. board S.
14. Remove the seven screws U and take off the shield cover W.
15. Remove the DSP p.c. board X.
16. Remove the five screws Y.
17. The main p.c. board slide to right way and lift up right side of the main p.c. board.

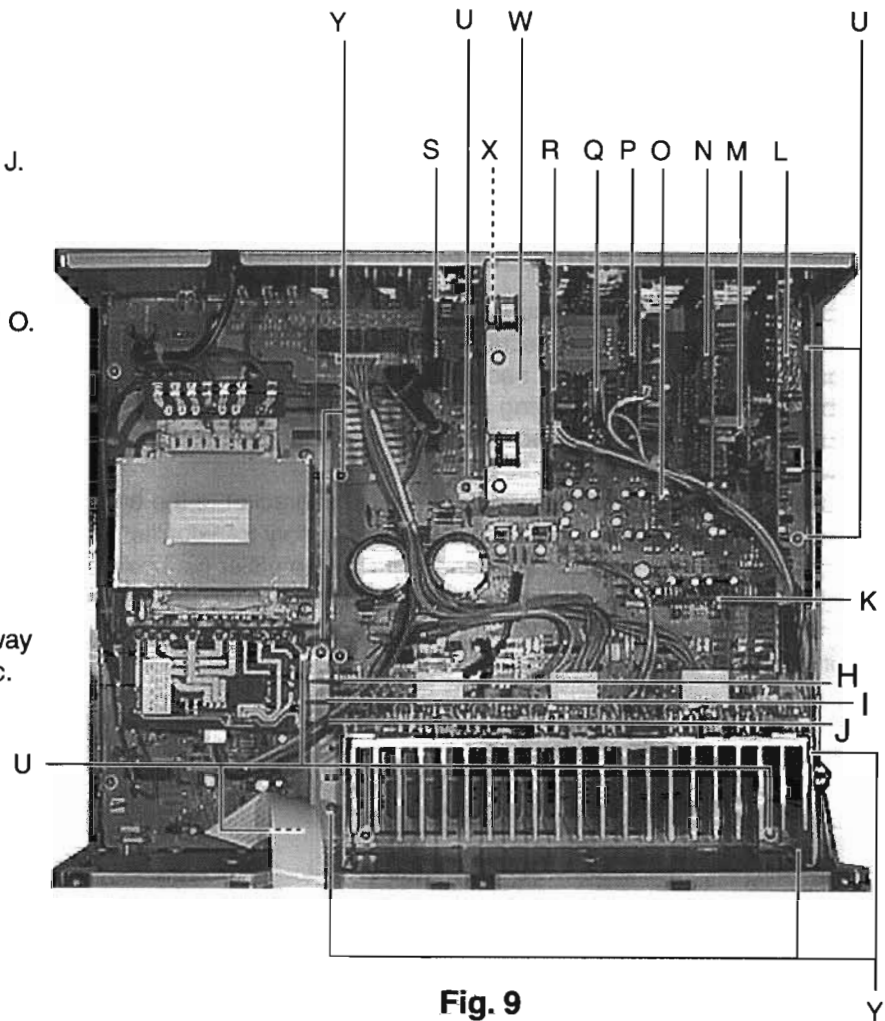


Fig. 9

■ Removing the amp p.c. board

(See Fig. 10)

1. Remove the top cover.
2. Remove the front panel.
3. Remove the rear panel.
4. Remove the joint p.c. board H,land J.
5. Remove the pre amp p.c. board K.
6. Remove the tuner p.c. board L.
7. Remove the SEA p.c. board M.
8. Remove the analog p.c. board N.
9. Remove the center tone p.c. board O.
10. Remove the V-audio p.c. board P.
11. Remove the video p.c. board Q.
12. Remove the S-video p.c. board R.
13. Remove the TXT compulink p.c. board S.
14. Remove the six screws Z and four screws a.
15. Remove the amp p.c. board.

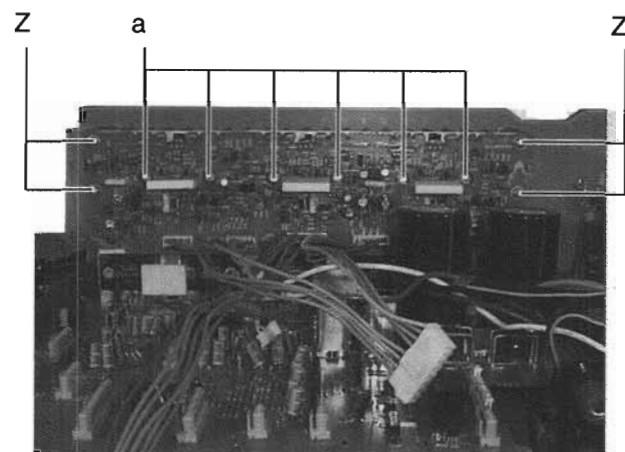


Fig. 10

RX-888 Disassembly method for performing power check

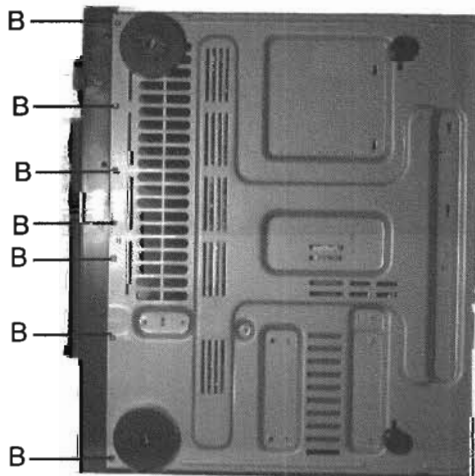
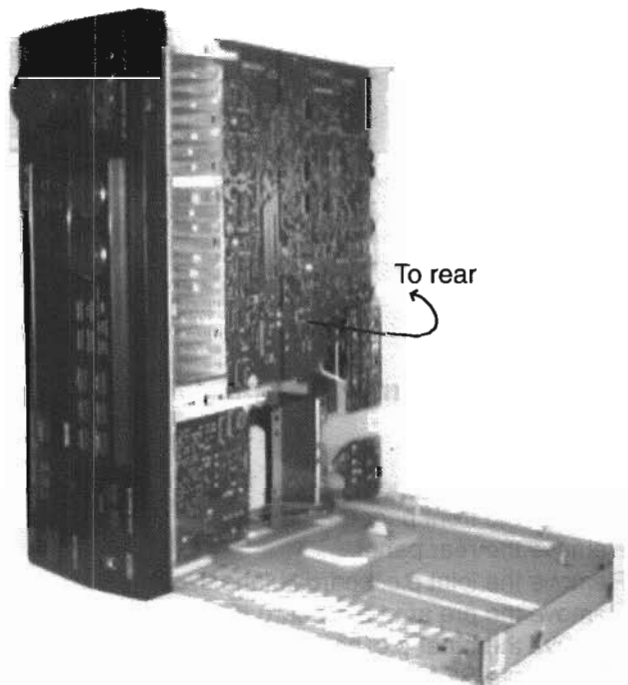
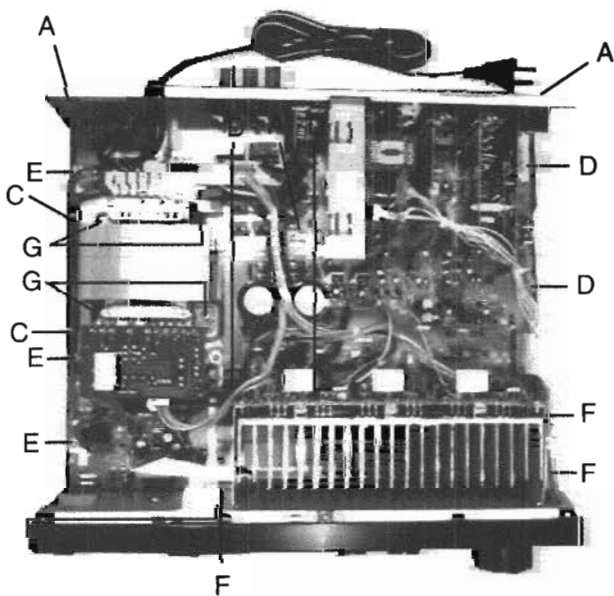
Conditions:

1. The heat sink must be installed.
2. The p.c. boards must be grounded to the rear panel.

This method (removal of the bottom chassis) allows you to replace the power transistor.

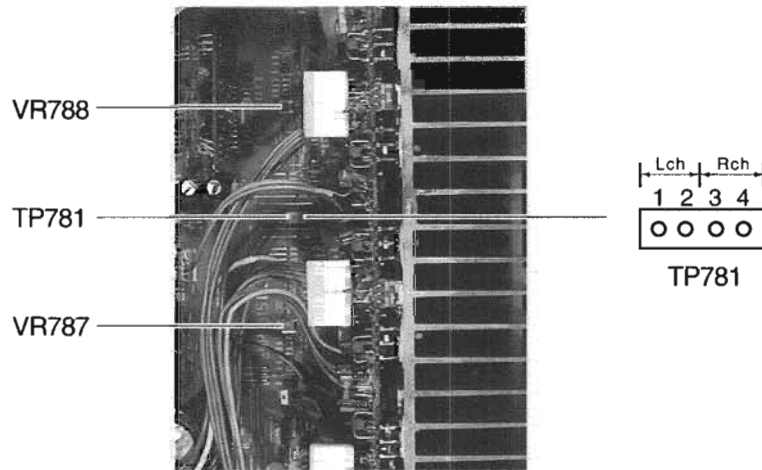
Procedures:

1. Remove the top cover.
2. Remove the four screws A securing the rear panel to the chassis.
3. Remove the seven screws B securing the front chassis to the bottom chassis, from the bottom side.
4. Cut out the two wire holders C securing the power supply wires to the bottom chassis.
5. Remove the four screws securing D the main amp p.c. board to the bottom chassis.
6. Remove the three screws E securing the primary and secondary power supply p.c. boards to the bottom chassis.
7. Remove the four screws F securing the heat sink bracket to the bottom chassis.
8. Remove the four screws G securing the power supply transformer.
9. Hold the power supply transformer and raise the amplifier p.c.board assembly. at this time, pay attention not to apply twisting stress to the preamp p.c. board.
10. Ground the C807 ground and C808 positive land to the rear panel.
11. Perform the power check.



Adjustment method

■ Power amplifier section



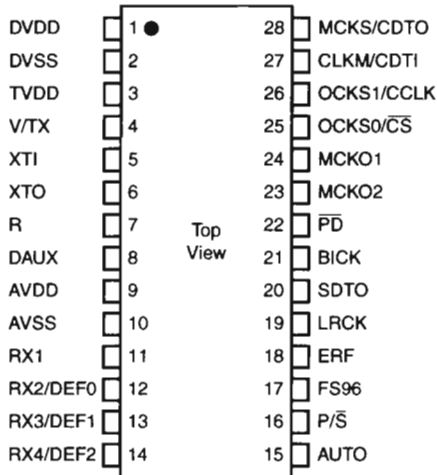
Idling current

1. Set the volume control to minimum during this adjustment. set the surround mode "OFF"
2. Turn VR787 and VR788 fully counterclockwise to warm up before adjustment.
If the heat sink is already warm from previous use the correct adjustment can not be made.
3. For L-ch, connect a DC voltmeter between TP781's pin1 and pin2 (Lch) And, connect it between pin3 and pin4(Rch).
4. 30 minutes later after power on, adjust VR787 for L-ch, or VR788 for R-ch so that the DC voltmeter value has 1mV~10mV.

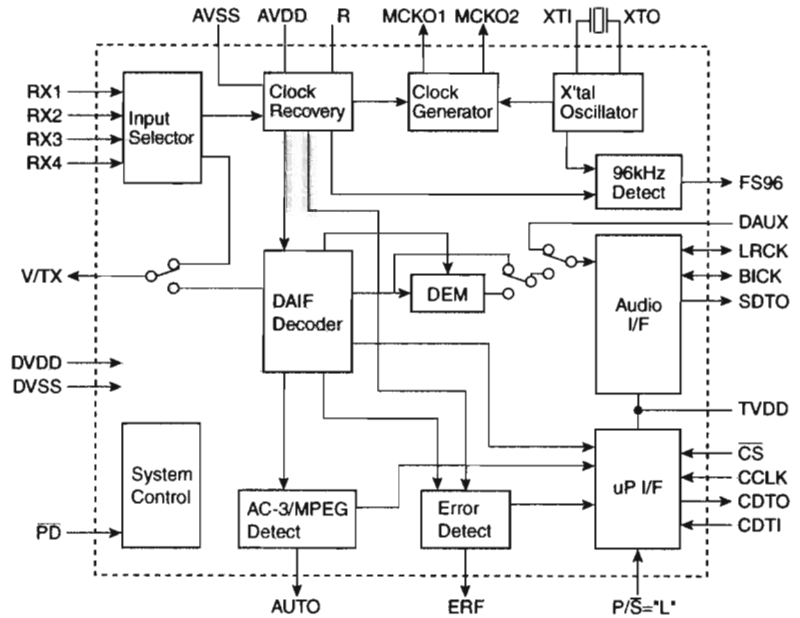
Description of major IC's

■ AK4110UF (IC551) : DIR

1. Pin Layout



2. Block diagram



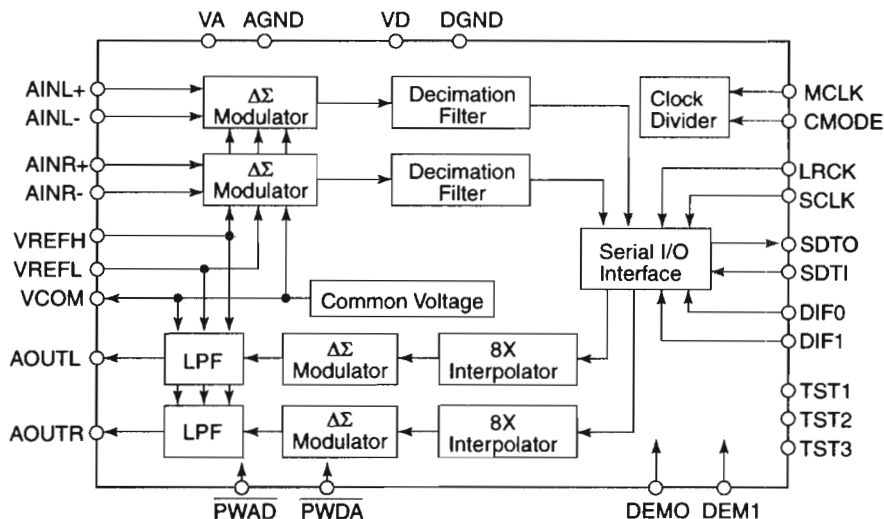
3. Pin Function

No.	Pin Name	I/O	Function
1	DVDD	-	Digital Power Supply Pin, 3.3V
2	DVSS	-	Digital Ground Pin
3	TVDD	-	I/O Buffer Power Supply Pin, 3.3V or 5V
4	V	O	Validity Flag Output Pin in parallel mode
	TX	O	Transmit channel (through data) Output Pin in serial mode
5	XTI	I	X'tal Input Pin
6	XTO	O	X'tal Output Pin
7	R	-	External Resistor Pin 9.1Kohm \pm 1% external resistor to AVSS.
8	DAUX	I	Auxiliary Audio Data input Pin
9	AVDD	-	Analog Power Supply Pin
10	AVSS	-	Analog Ground pin
11	RX1	I	Receiver Channel 1 This channel is selected by parallel mode or at reset.
12	DIF0	I	Audio Data Interface format 0 Pin in parallel mode
	RX2	I	Receiver Channel 2 in serial mode
13	DIF1	I	Audio Data Interface format 1 Pin in parallel mode
	RX3	I	Receiver Channel 3 in serial mode
14	DIF2	I	Audio Data Interface format 2 Pin in parallel mode
	RX4	I	Receiver Channel 4 in serial mode
15	AUTO	O	AC-3/MPEG Detect Pin "L": No detect, "H": Detect

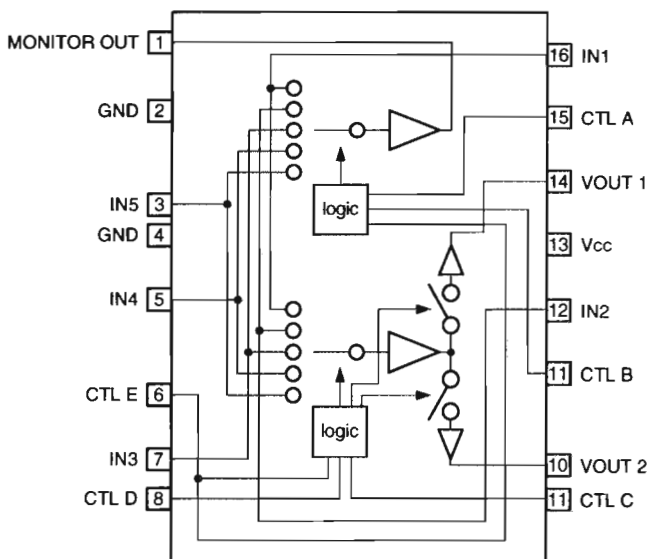
No.	Pin Name	I/O	Function
16	P/ \bar{S}	I	Parallel/Serial Select Pin "L": Serial mode, "H": Parallel mode
17	FS96	O	- ("L" up to fs, =105kHz.)
18	ERF	O	Unlock & Parity Error Output Pin "L": No error, "H": Error
19	LRCK	I/O	Output Channel Clock Pin
20	SDTO	O	Audio Serial Data Output Pin
21	BICK	I/O	Audio Serial Data Clock Pin
22	P \bar{D}	I	Power-Down Mode Pin When "L", the AK 4110 is powered-down and reset.
23	MCKO2	O	Master Clock #2 Output Pin
24	MCKO1	O	Master Clock #1 Output Pin
25	OCKS0	I	Output Clock Select 0 Pin in parallel mode
	CS	I	Chip Select Pin in serial mode
26	OCKS1	I	Output Clock Select 1 Pin in parallel mode
	CCLK	I	Control Data Clock Pin in serial mode
27	CLKM	I	Master Clock Operation Mode Pin in parallel mode
	CDTI	I	Control Date Input Pin in serial mode
28	MCKS	I	Master Clock Source select Pin in parallel mode
	CDTO	O	Control Date Output Pin in serial mode

Note: All input pins except internal pull-down pins should not be left floating.

■ AK4520A-VF-X (IC620) : A/D & D/A Converter



■ BA7625 (IC201/IC242) : Video selector

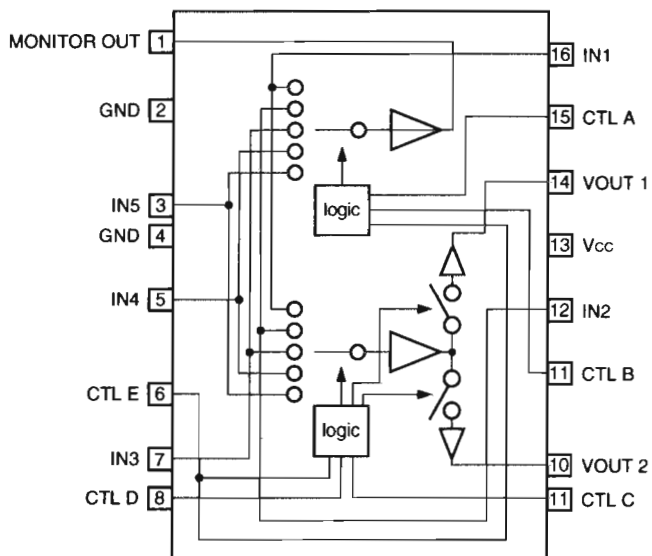


A	B	E	MONITOR OUT
L	L	*	IN1
H	L	*	IN2
L	H	*	IN3
H	H	L	IN4
H	H	H	IN5

C	D	E	VOUT1
L	L	*	--
H	L	*	IN2
L	H	*	IN3
H	H	L	IN4
H	H	H	IN5

C	D	E	VOUT2
L	L	*	IN1
H	L	*	--
L	H	*	IN3
H	H	L	IN4
H	H	H	IN5

■ BA7626 (IC241) : Video selector

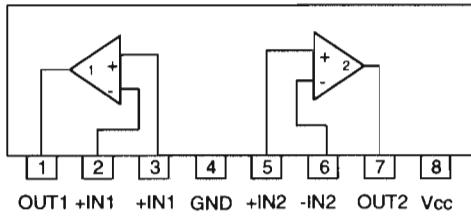


A	B	E	MONITOR OUT
L	L	*	IN1
H	L	*	IN2
L	H	*	IN3
H	H	L	IN4
H	H	H	IN5

C	D	E	VOUT1
L	L	*	--
H	L	*	IN2
L	H	*	IN3
H	H	L	IN4
H	H	H	IN5

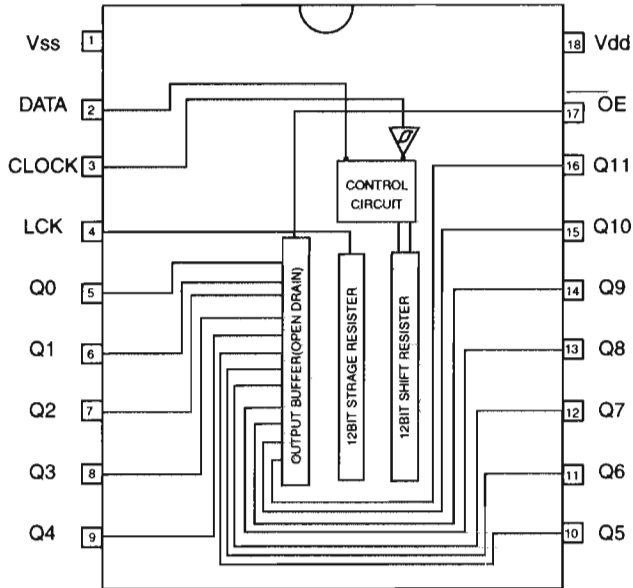
C	D	E	VOUT2
L	L	*	IN1
H	L	*	--
L	H	*	IN3
H	H	L	IN4
H	H	H	IN5

■ BA15218N (IC342/IC343/IC391/IC453/IC362/IC363)
: Dual Ope. Amp.



■ BU2092 (IC402/IC405) : Port expander

1. Terminal Layout

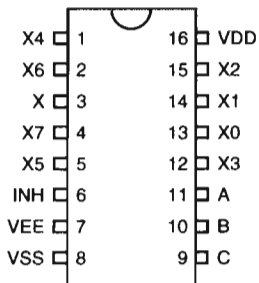


2.Pin Function

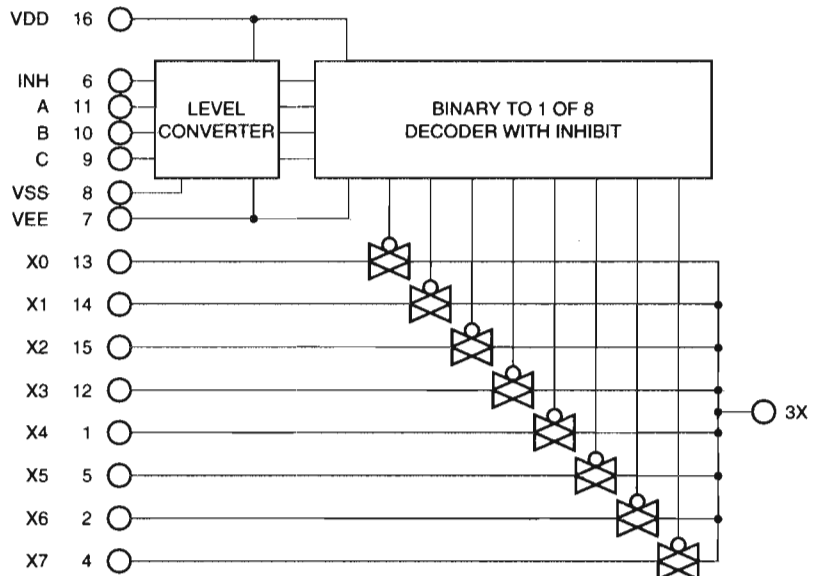
Pin No.	Symbol	I/O	Function						
1	Vss	-	Connect to GND						
2	DATA	I	Serial Data input						
3	CLOCK	I	Shift Clock of Data						
4	LCK	I	Latch Clock of Data						
5~16	Q0~Q11	O	Parallel Data Output <table border="1" style="margin-left: 20px;"> <tr> <td>Latch Data</td> <td>L</td> <td>H</td> </tr> <tr> <td>OUTPUT</td> <td>ON</td> <td>OFF</td> </tr> </table>	Latch Data	L	H	OUTPUT	ON	OFF
Latch Data	L	H							
OUTPUT	ON	OFF							
17	OE	I	Output Enable						
18	Vdd	-	Power Supply						

■ BU4051BC (IC341) : Analog multiplexers/DE multiplexers

1. Terminal

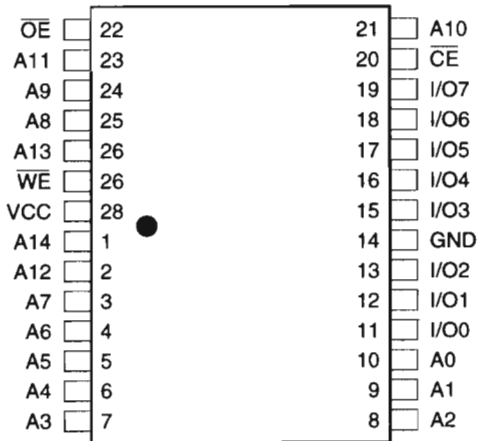


2. Block Diagram

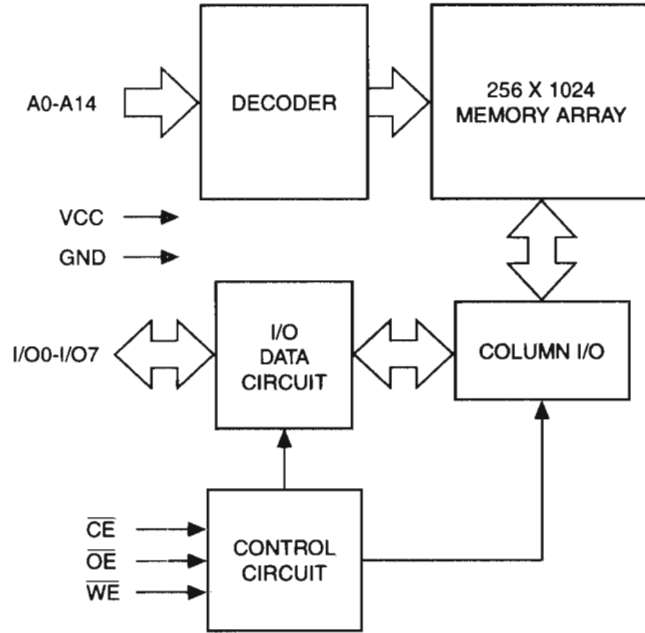


■ IS61LV256 (IC541, IC542, IC543) : L. V. Static RAM

1. Pin Layout

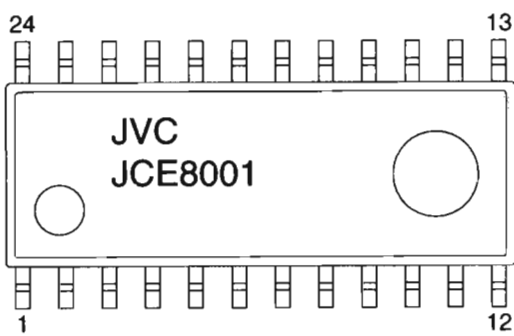


2. Block diagram



■ JCE8001 (IC571) : K2 Interface

1. Terminal Layout

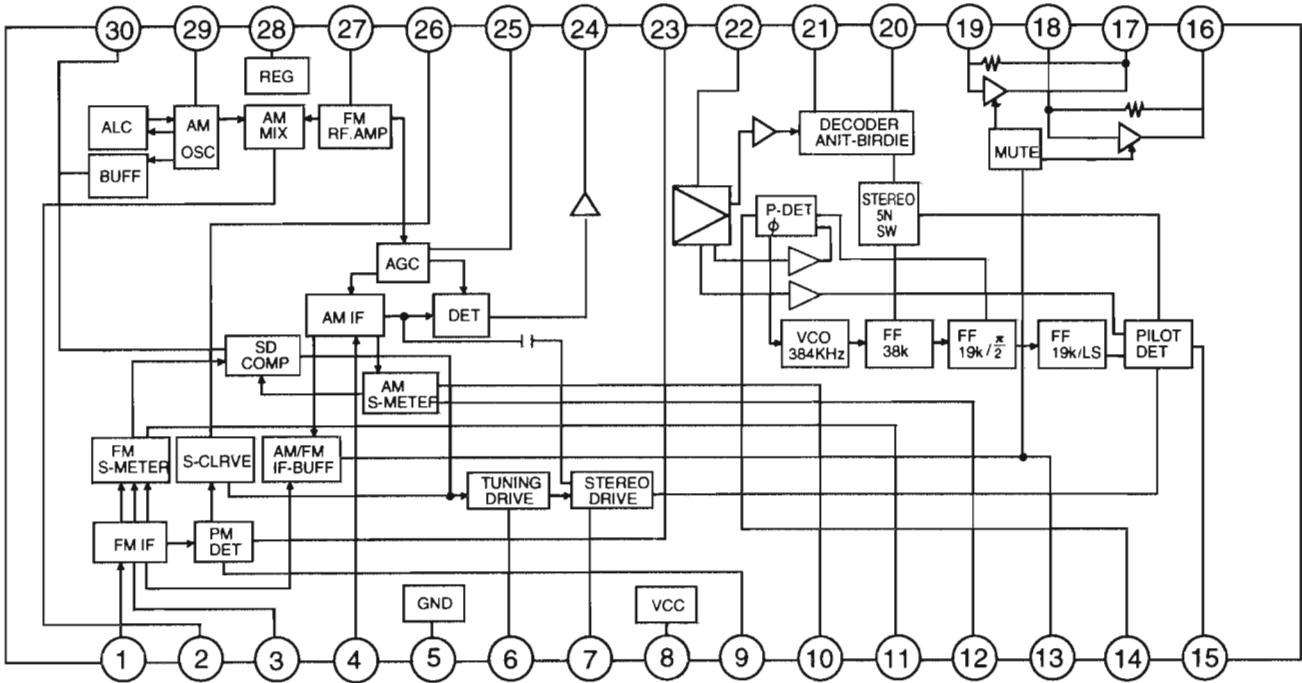


2. Pin Function

No.	Signal	I/O	Function
1	M3	I	Control signal 3
2	M5	I	Control signal 5
3	DI3	I	Data input 3
4	DI2	I	Data input 2
5	DI1	I	Data input 1
6	SYI	I	Input
7	BCI	I	Input Clock
8	M4	I	Control signal 4
9	M6	I	Control signal 6
10	CKO	O	Clock output
11	CKOB	O	Clock output
12	GND	-	Signal Ground
13	M1	I	Control signal 1
14	VDD	-	+5V power supply
15	XI	I	Clock input
16	XO	O	Clock output
17	GND	-	Signal ground
18	BCO	O	Output signal
19	SYO	O	Output signal
20	DO1	O	Data output 1
21	DO2	O	Data output 2
22	DO3	O	Data output 3
23	M2	I	Control signal 2
24	VDD	-	+5V power supply

■ LA1838(IC102) : FM AM IF AMP&detector, FM MPX Decoder

1. Block Diagram



3. Pin Function

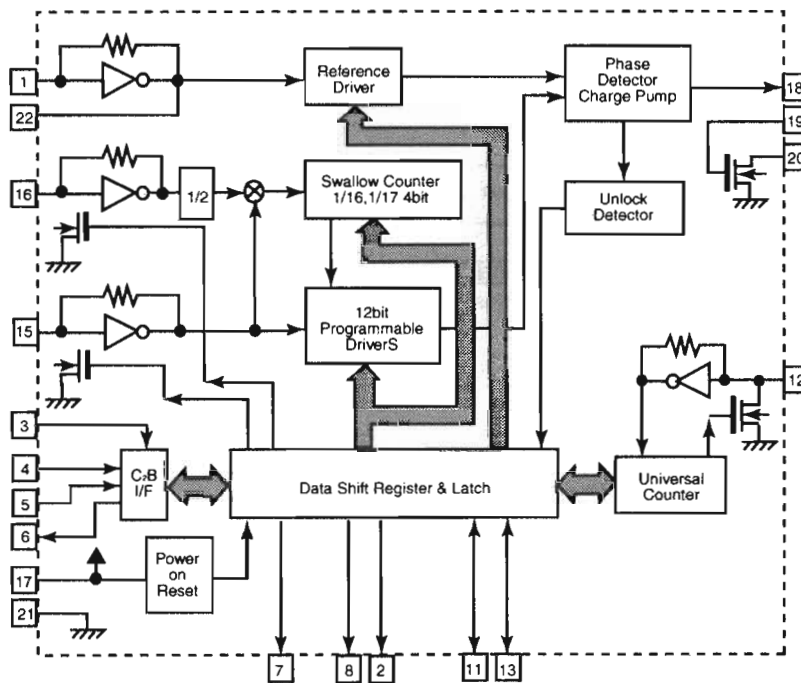
Pin No.	Symbol	I/O	Function	Pin No.	Symbol	I/O	Function
1	FM IN	I	This is an input terminal of FM IF signal.	16	L OUT	O	Left channel signal output.
2	AM MIX	O	This is an out put terminal for AM mixer.	17	R OUT	O	Right channel signal output.
3	FM IF	I	Bypass of FM IF	18	L IN	I	Input terminal of the Left channel post AMP.
4	AM IF	I	Input of AM IF Signal.	19	R IN	I	Input terminal of the Right channel post AMP.
5	GND	-	This is the device ground terminal.	20	RO	O	Mpx Right channel signal output.
6	TUNED	O	When the set is tuning,this terminal becomes "L".	21	LO	O	Mpx Left channel signal output.
7	STEREO	O	Stereo indicator output. Stereo "L", Mono: "H"	22	IF IN	I	Mpx input terminal
8	VCC	-	This is the power supply terminal.	23	FM OUT	O	FM detection output.
9	FM DET	-	FM detect transformer.	24	AM DET	O	AM detection output.
10	AM SD	-	This is a terminal of AM ceramic filter.	25	AM AGC	I	This is an AGC voltage input terminal for AM
11	FM VSM	O	Adjust FM SD sensitivity.	26	AFC	-	This is an output terminal of voltage for FM-AFC.
12	AM VSM	O	Adjust AM SD sensitivity.	27	AM RF	I	AM RF signal input.
13	MUTE	I/O	When the signal of IF REQ of IC121(LC72131) appear, the signal of FM/AM IF output. //Muting control input.	28	REG	O	Register value between pin 26 and pin28 desides the frequency width of the input signal.
14	FM/AM	I	Change over the FM/AM input. "H" :FM, "L" : AM	29	AM OSC	-	This is a terminal of AM Local oscillation circuit.
15	MONO/ST	O	Stereo : "H", Mono: "L"	30	OSC BUFFER	O	AM Local oscillation Signal output.

LC72136N(IC121) : PLL Frequency sinesizer

1. Layout

XT	1	22	XT
FM/AM	2	21	GND
CE	3	20	LPFOUT
DI	4	19	LPFIN
CLOCK	5	18	PD
DO	6	17	VCC
FM/ST/VCO	7	16	FMIN
AM/FM	8	15	AMIN
	9	14	
	10	13	IFCONT
SDIN	11	12	IFIN

2. Block



3. Function

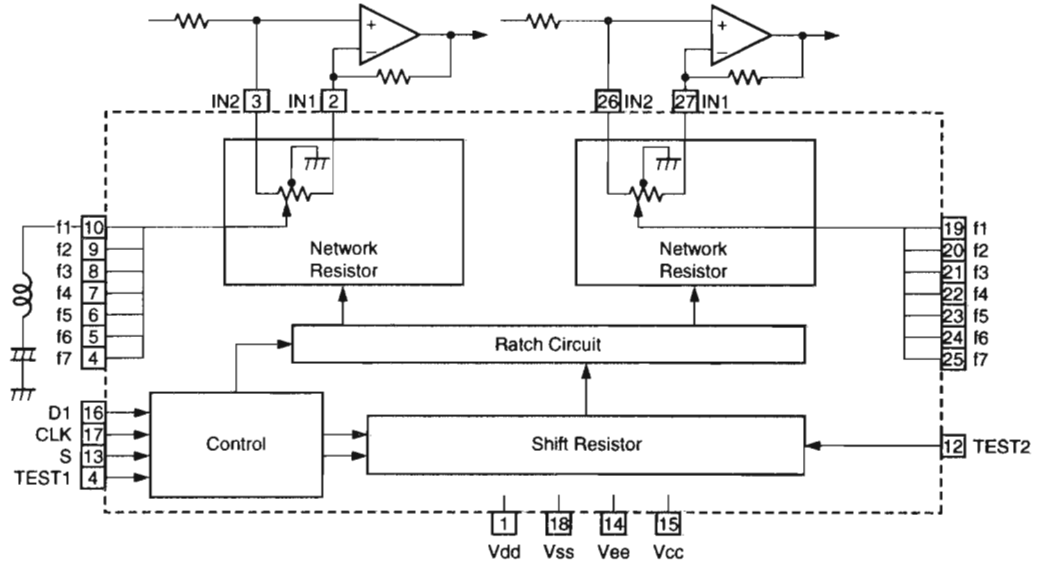
Pin No.	Symbol	I/O	Function	Pin No.	Symbol	I/O	Function
1	XT	I	X'tal oscillator connect (75kHz)	12	IFIN	I	IF counter signal input
2	FM/AM	O	LOW:FM mode	13	IFCONT	O	IF signal output
3	CE	I	When data output/input for 4pin(input) and 6pin(output): H	14		-	Not use
4	DI	I	Input for receive the serial data from controller	15	AMIN	I	AM Local OSC signal output
5	CLOCK	I	Sync signal input use	16	FMIN	I	FM Local OSC signal input
6	DO	O	Data output for Controller Output port	17	VCC	-	Power suply(VDD=4.5-5.5V) When power ON:Reset circuit move
7	FM/ST/VCO	O	*Low*: MW mode	18	PD	O	PLL charge pump output(H: Local OSC frequency Height than Reference frequency. L: Low Agreement: Height impedance)
8	AM/FM	O	Not use	19	LPFIN	I	Input for active lowpassfilter of PLL
9		-	Not use	20	LPFOUT	O	Output for active lowpassfilter of PLL
10		-	Input/output port	21	GND	-	Connected to GND
11	SDIN	I/O	Data input/output	22	XT	I	X'tal oscillator(75KHz)

■ LC7522 (IC451) : Variable resistor for SEA Control

1.Terminal



2.Block Diagram

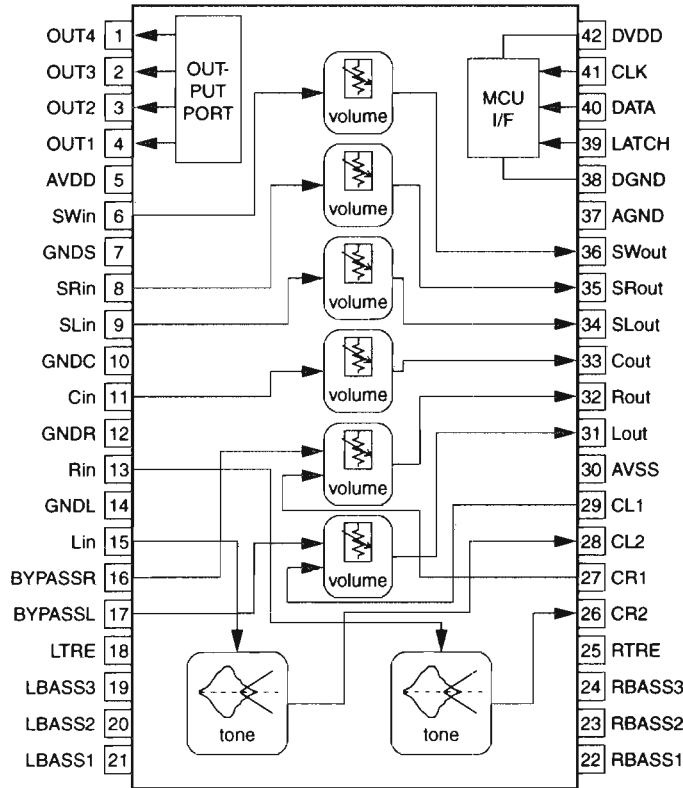


3.Function

Pin No.	Symbole	Function
1	VDD	Power Supply terminal for Audio signal +7V(typ)
18	VSS	Power Supply terminal 0V
14	VEE	Power Supply terminal for Audio signal. Single channel use, joint VSS.
15	VCC	Power Supply terminal +5V(typ)
2,27	IN 1	Audio signal Input terminal
3,26	IN 2	IN1 joint oposit input of Operation amp. IN2 joint unoposit input of Operation amp. It have Right and Left.
16	D1	Data input terminal from CPU Shumit inverter style
17	CLK	Clock input terminal from CPU Shumit inverter style
4~10 19~25	f1~f7	Joint terminal of B.P.F. f1~f7 X Right, Left Total 14 terminal
11	TEST1	Internal test terminal of IC
12	TEST2	It can use open condition
13	S	Select terminal for 2 tip use "1" input, key code 7C3→VDD joint "0" input, key code 7C2→VEE joint
28	NC	No use

■ M62446FP (IC651) : Surround volume control

1. Terminal Layout



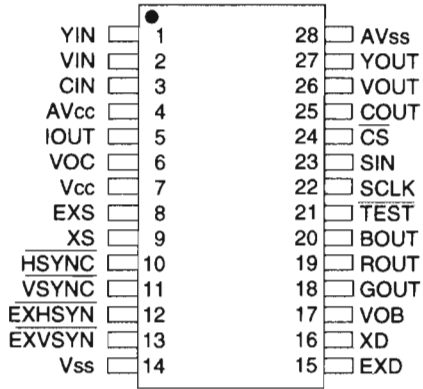
3. Pin Function

No.	Pin Name	I/O	Function or Equivalent circuit
1	OUT4	O	
2	OUT3		
3	OUT2		
4	OUT1		
5	AVDD	-	+7V
7	GNDS	-	Connects to and log GND
10	GNDC		
12	GNDR		
14	GNDL		
6	SWin	I	
8	SRin		
9	SLin		
11	Cin		
36	SWout		
13	Rin	I	
15	Lin		
16	BYPASSR	I	
17	BYPASSL		
31	Lout		
32	Rout		

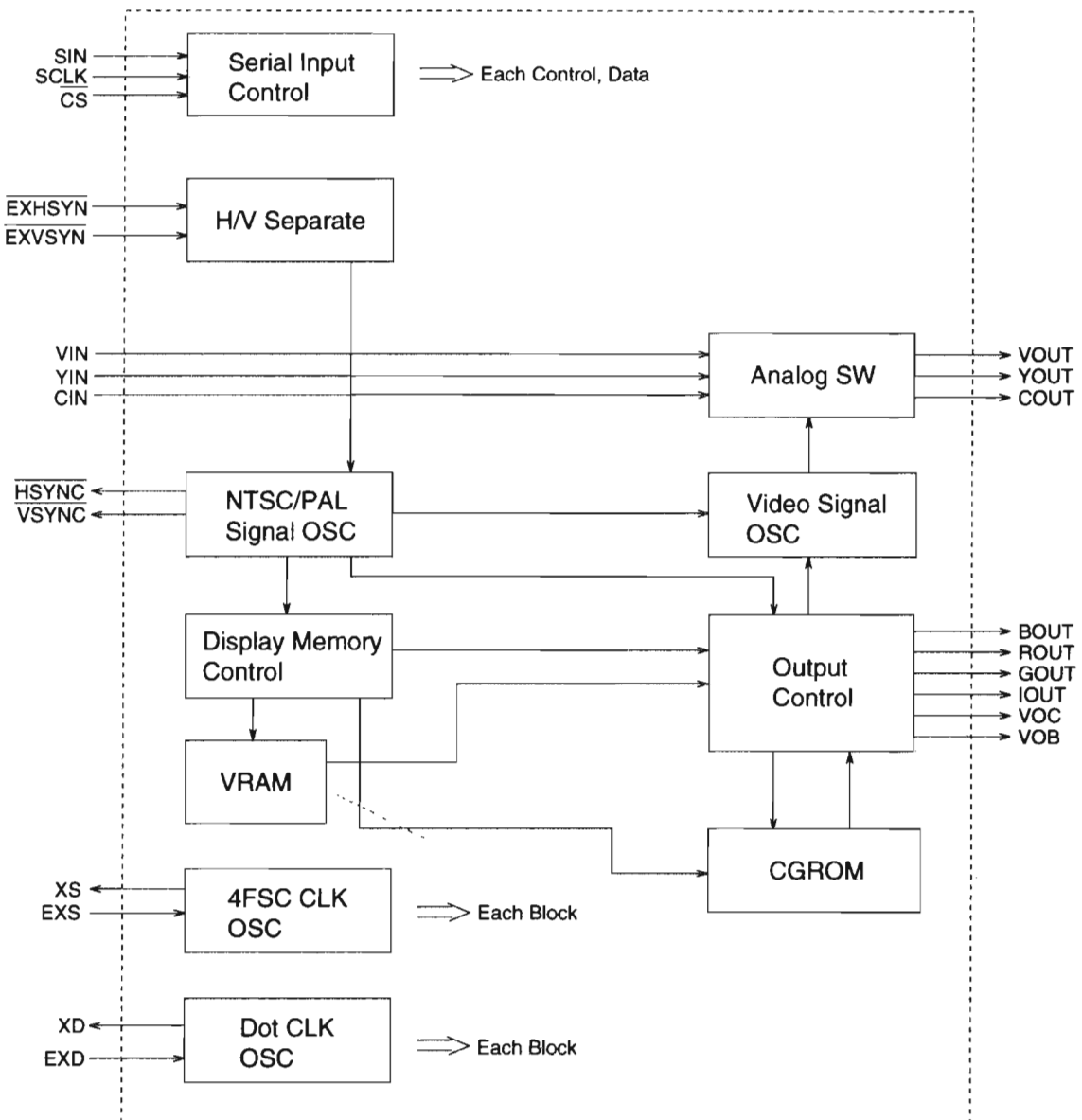
No.	Pin Name	I/O	Function or Equivalent circuit
18	LTRE	-	
25	RTRE	-	
19	LBASS3	-	
24	RBASS3		
20	LBASS2		
21	LBASS1		
22	CR2	O	
28	CL2	O	
27	CR1	I	
29	CL1		
31	Lout		
32	Rout	O	
30	AVSS	-	-7V
37	AGND	-	
38	DGND	-	
39	LATCH	I	
40	DATA		
41	CLK		
42	DVDD	-	+5V

■ MB90088 (IC203) : On screen display controller

1. Terminal Layout



2. Block Diagram

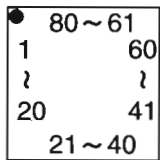


3.Functions

pin no	Symbol	I/O	Function
1	YIN	I	Lux signal Input terminal for Superinpause indication
2	VIN	I	Composite video signal input terminal for Superinpause indication
3	CIN	I	Contrast signal input terminal for Superinpause indication
4	AVcc	-	Analog power supply terminal
5	IOUT	O	Color (Lux) signal output terminal
6	VOC	O	Character output terminal
7	Vcc	-	Power supply terminal
8	EXS	I	Clock generater outside circuit terminal for color burst
9	XS	O	
10	HSYNC	O	Horizontal signal output terminal
11	VSYNC	O	Vertical signal output terminal
12	EXHSYN	I	EXT horizontal signal input terminal
13	EXVSYN	I	EXT vertical signal input terminal
14	Vss	-	GND
15	EXD	I	Dot clock generater outside circuit signal terminal for indication
16	XD	O	
17	VOB	O	Character & background signal output terminal
18	GOUT	O	Color signal (Green, Red, Blue)
19	ROUT		
20	BOUT		
21	TEST	I	Test signal input terminal
22	SCLK	I	Shift clock input terminal for serial transmission
23	SIN	I	Serial data input terminal
24	CS	I	Chip select terminal
25	COUT	O	Contrast signal output terminal
26	VOUT	O	Composite video signal output terminal
27	YOUT	O	Lux signal output terminal
28	AVss	-	Analog GND terminal

■ MN101C15FBC (IC401) : System Control Micon

1. Terminal Layout

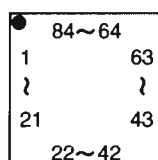


2. Pin Function

Pin No	Symbol	Functions	Pin No	Symbol	Functions
1	GND	Ground	41	VIDEO3	VIDEO 3 signal terminal
2	DVD-S/C	DVD S/C signal select terminal	42	VIDEO4	VIDEO 4 signal terminal
3	VCR1-S/C	VCR1 S/C signal select terminal	43	S.MUTE	Source mute control terminal
4	VIDEO-S/C	VIDEO S/C signal select terminal	44	—————	—————
5	TV-S/C	TV S/C select terminal	45	DSP-ACK	DSP control signal terminal
6	4/8-IN	4 ohm / 8 ohm select signal terminal	46	DSP-INT	DSP control signal terminal
7	—————	—————	47	RDS-STATUS	RDS control signal terminal
8	—————	—————	48	RDS-COMMON	RDS control signal terminal
9	PROTECT	Protect	49	INH-IN	Inhibit signal input terminal
10	GND	Ground	50	DSP-CS	DSP control signal terminal
11	VDD	Power supply	51	DSP-RESET	DSP reset signal terminal
12	OSC2	Oscillation terminal	52	M/CS	Control signal from IC400
13	OSC1	Oscillation terminal	53	M-RESET	Reset signal from IC400
14	Vss	Ground	54	STATUS	Status signal from IC400
15	XI	Ground	55	COMMAND	Command signal from IC400
16	XO	Ground	56	MCLK	Clock signal from IC400
17	GND	Ground	57	SEA-CLK	SEA clock signal from terminal
18	—————	Text signal input terminal	58	SEA-DATA	SEA data signal terminal
19	—————	Text signal output terminal	59	VL/VH	Connect to power supply board
20	—————	Master signal terminal	60	4/8 OUT	4 ohm / 8 ohm select signal terminal
21	DSP-COMMAND	DSP control signal terminal	61	SW-DADTA	Switch data signal terminal
22	DSP-STATUS	DSP control signal terminal	62	SW-CLK	Switch clock signal terminal
23	DSP-CK	DSP control signal terminal	63	VOL-STB	Volume strobo signal terminal
24	GND	Ground	64	VOL-DATA	Volume data signal terminal
25	RESET-IN	Reset signal input terminal	65	VOL-CLK	Volume clock signal terminal
26	TUNER-CE	Tuner chip enable	66	SW-STB	Switch strobo signal terminal
27	TUNER-CLK	Tuner clock signal terminal	67	OTO-LED	OTO LED signal terminal
28	TUNER-STATUS	Tuner control signal terminal	68	—————	Dolby LED (Digital)
29	TUNER-COMMAND	Tuner control signal terminal	69	FR-RELAY1	Relay 1 signal terminal
30	TUNER-MUTE	Tuner mute signal terminal	70	FR-RELAY2	Relay 2 signal terminal
31	TUNER-IN	Tuner signal input terminal	71	CNTR-RELAY	Center speaker relay terminal
32	STEREO-IN	Stereo signal input terminal	72	SUR-RELAY	Surround speaker relay terminal
33	RDS-ST	No use	73	HP-RELAY	Head Phone relay terminal
34	M-BUSY	Busy signal from IC400	74	DOLBY (PROLOGIC)	Dolby signal terminal
35	RDS-CLK	No use	75	C.TONE3	Center tone 3 signal terminal
36	OSD-DATA	OSD data signal input terminal	76	C.TONE2	Center tone 2 signal terminal
37	OSD-STB	OSD standby signal terminal	77	C.TONE1	Center tone 1 signal terminal
38	OSD-CLK	OSD clock signal terminal	78	LED-LCK	LED latch clock signal terminal
39	VIDEO1	VIDEO 1 signal terminal	79	LED-DATA	LED data signal terminal
40	VIDEO2	VIDEO 2 signal terminal	80	LED-CLK	LED clock signal terminal

■ MN172412JABZ (IC400) : FL Tube Drive Control Micon

1. Terminal Layout



2. Pin Function

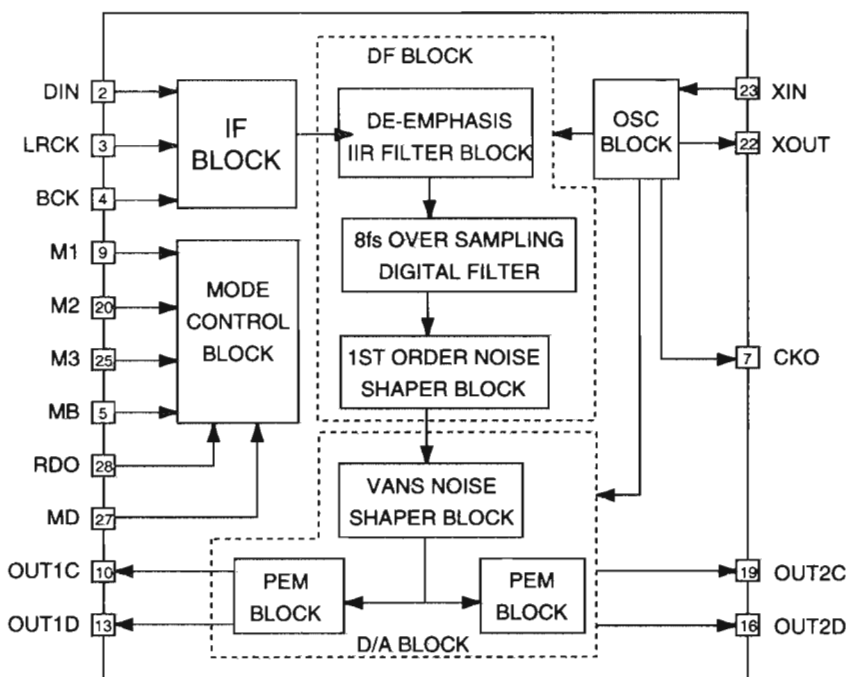
Pin No.	Symbol	Functions	Pin No.	Symbol	Functions
1	S22	Segment controlsignal output	43	JOG4	Connect to volume
2	S21	Segment controlsignal output	44	MBUSY	Busy signal to IC401
3	S20	Segment controlsignal output	45	MCLK	Clock signal to IC401
4	S19	Segment controlsignal output	46	COMMAND	Command signal to IC401
5	S18	Segment controlsignal output	47	STATUS	Status signal for IC 401
6	S17	Segment controlsignal output	48	CS	Chip signal to IC401
7	S16	Segment controlsignal output	49	RM	Remocon signal terminal
8	S15	Segment controlsignal output	50	VCRI	Compulink signal input
9	S14	Segment controlsignal output	51	DCSI	Compulink signal input
10	S13	Segment controlsignal output	52	DCSO	Compulink signal output
11	S12	Segment controlsignal output	53	VCRO	Compulink signal output
12	S11	Segment controlsignal output	54	TVO	Compulink output
13	S10	Segment controlsignal output	55	TVC	Compulink control output
14	S9	Segment controlsignal output	56	JOG5	Connect to multi jog
15	S8	Segment controlsignal output	57	JOG6	Connect to multi jog
16	S7	Segment controlsignal output	58	POWER	From power supply
17	S6	Segment controlsignal output	59	STANDBY	Standby signal terminal
18	S5	Segment controlsignal output	60	KI3	Key matrix input
19	S4	Segment controlsignal output	61	KI2	Key matrix input
20	S3	Segment controlsignal output	62	KI1	Key matrix input
21	S2	Segment controlsignal output	63	KI0	Key matrix input
22	S1	Segment controlsignal output	64	S36	Segment controlsignal output
23	VPP	Powe supply fot FL display	65	S35	Segment controlsignal output
24	G14	Grid controlsignal output	66	S34	Segment controlsignal output
25	G13	Grid controlsignal output	67	S33	Segment controlsignal output
26	G12	Grid controlsignal output	68	RST	Reset signal input
27	G11	Grid controlsignal output	69	X1	Connect to ground
28	G10	Grid controlsignal output	70	X2	No use
29	G9	Grid controlsignal output	71	VSS	Connect to ground
30	G8	Grid controlsignal output	72	OSC2	Oscillation terminal
31	G7	Grid controlsignal output	73	OSC1	Osillation terminal
32	G6	Grid controlsignal output	74	VDD	Power supply
33	G5	Grid controlsignal output	75	S32	Segment controlsignal output
34	G4	Grid controlsignal output	76	S31	Segment controlsignal output
35	G3	Grid controlsignal output	77	S30	Segment controlsignal output
36	G2	Grid controlsignal output	78	S29	Segment controlsignal output
37	————	Connect to Q408	79	S28	Segment controlsignal output
38	————	Connect to Q407	80	S27	Segment controlsignal output
39	G1	Grid controlsignal output	81	S26	Segment controlsignal output
40	JOG1	Connect to source selector	82	S25	Segment controlsignal output
41	JOG2	Connect to source selector	83	S24	Segment controlsignal output
42	JOG3	Connect to volume	84	S23	Segment controlsignal output

■ MN35503-X (IC621/IC631/IC641) : D/A CONVERTER

1. Terminal Layout

MA	1	28	RDO
DIN	2	27	MD
LRCK	3	26	MC
BCK	4	25	M3
MB	5	24	DVDD1
DVDD2	6	23	XIN
CKO	7	22	XOUT
DVSS2	8	21	DVSS1
M1	9	20	M2
OUT1C	10	19	OUT2C
NC	11	18	NC
AVDD1	12	17	AVDD2
OUT1D	13	16	OUT2D
AVSS1	14	15	AVSS2

2. Block Diagrams

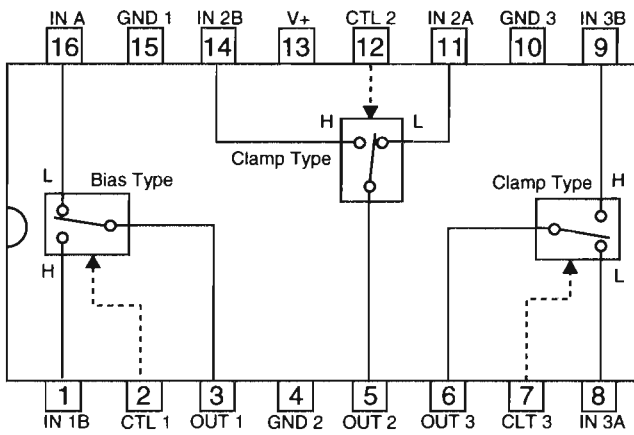


3. Pin Function

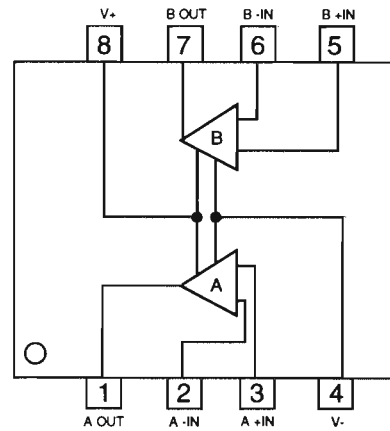
Pin No.	Symbol	I/O	Function	Pin No.	Symbol	I/O	Function
1	MA	-	Connected to ground	15	AVSS2	-	Analog ground 2
2	DIN	I	Data input	16	OUT2D	O	2D PEM output
3	LRCK	I	L/R clock input	17	AVDD2	-	Analog power supply 2
4	BCK	I	Bit clock input	18	NC	-	Non connection
5	MB	I	De-emphasis ON signal	19	OUT2C	O	2C PEM output
6	DVDD2	-	Digital power supply2	20	M2	-	Connected to ground
7	CKO	I	Clock output	21	DVSS1	-	Digital ground pin 1
8	DVSS2	-	Digital ground 2	22	XOUT	O	Crystal oscillator output
9	M1	-	Connected to ground	23	XIN	I	Crystal oscillator input
10	OUT1C	O	1C PEM output	24	DVDD1	-	Digital power supply 1
11	NC	-	Non connect	25	M3	-	Connected to ground
12	AVDD1	-	Analog power supply 1	26	MC	-	Connected to ground
13	OUT1D	O	1d PEM output	27	MD	I	Reset signal/Digital Att.control signal input
14	AVSS1	-	Analog ground 1	28	RDO	-	Not used

■ NJM2285D (IC202) : Video switch

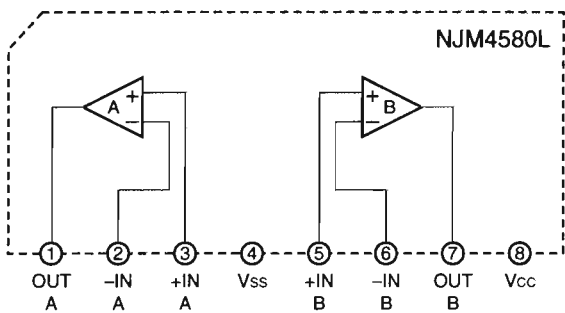
1. Terminal Layout & Block Diagram



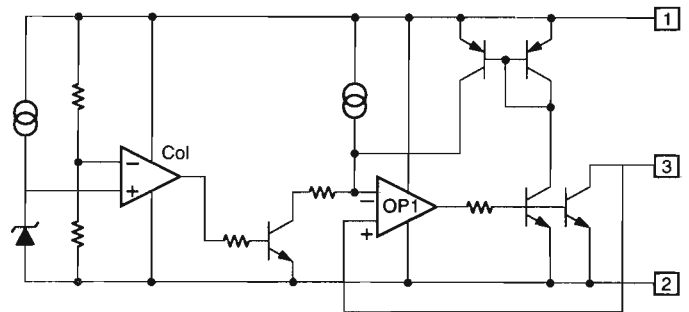
■ NJM4580D-D (IC301) : Dual Ope. Amp



■ NJM4580L (IC302/IC303/IC305/IC361) Dual operation amp.



■ PST600E (IC403) : Reset IC

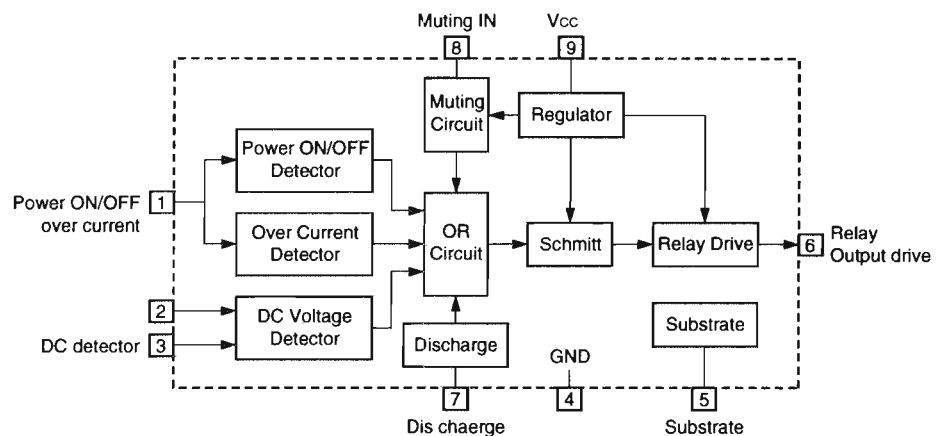


■ TA7317P (IC901) : Protector

1. Terminal layout

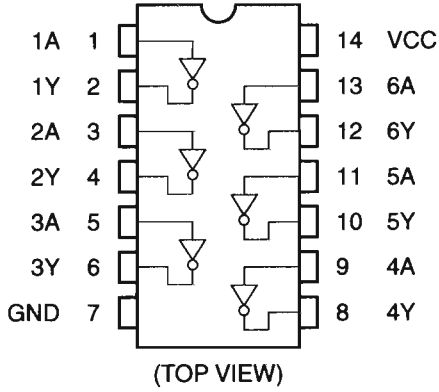


2. Block diagram



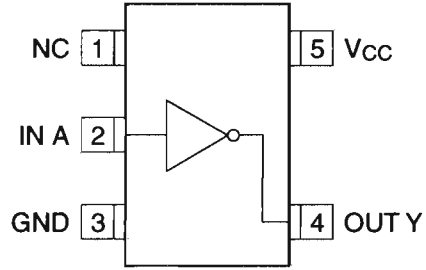
■ **TC74HCT04AF (IC652): Inverter**

1. Terminal Layout

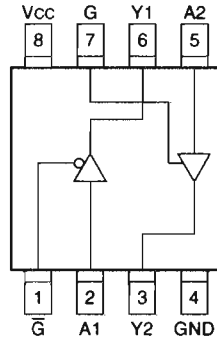


A	Y
L	H
H	L

■ **TC7S04FU (IC502, IC503): Inverter**

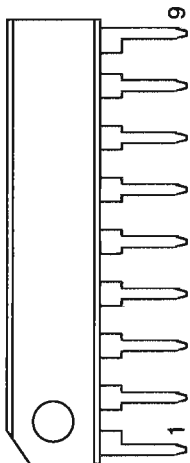


■ **TC7WH241FU (IC504): Dual bus buffer**

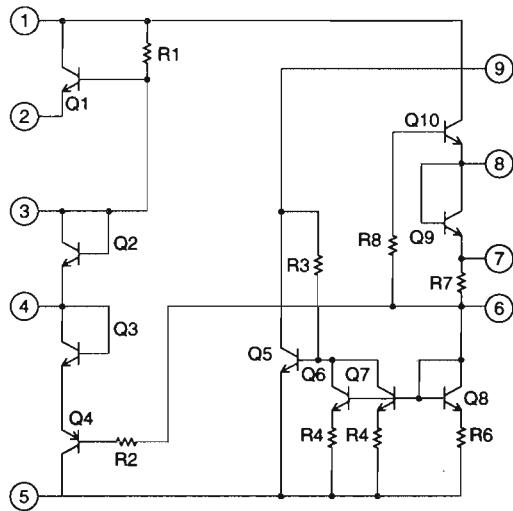


■ **VC5022-2 (IC781/IC782) : Super A**

1. Terminal Layout



2. Block diagram

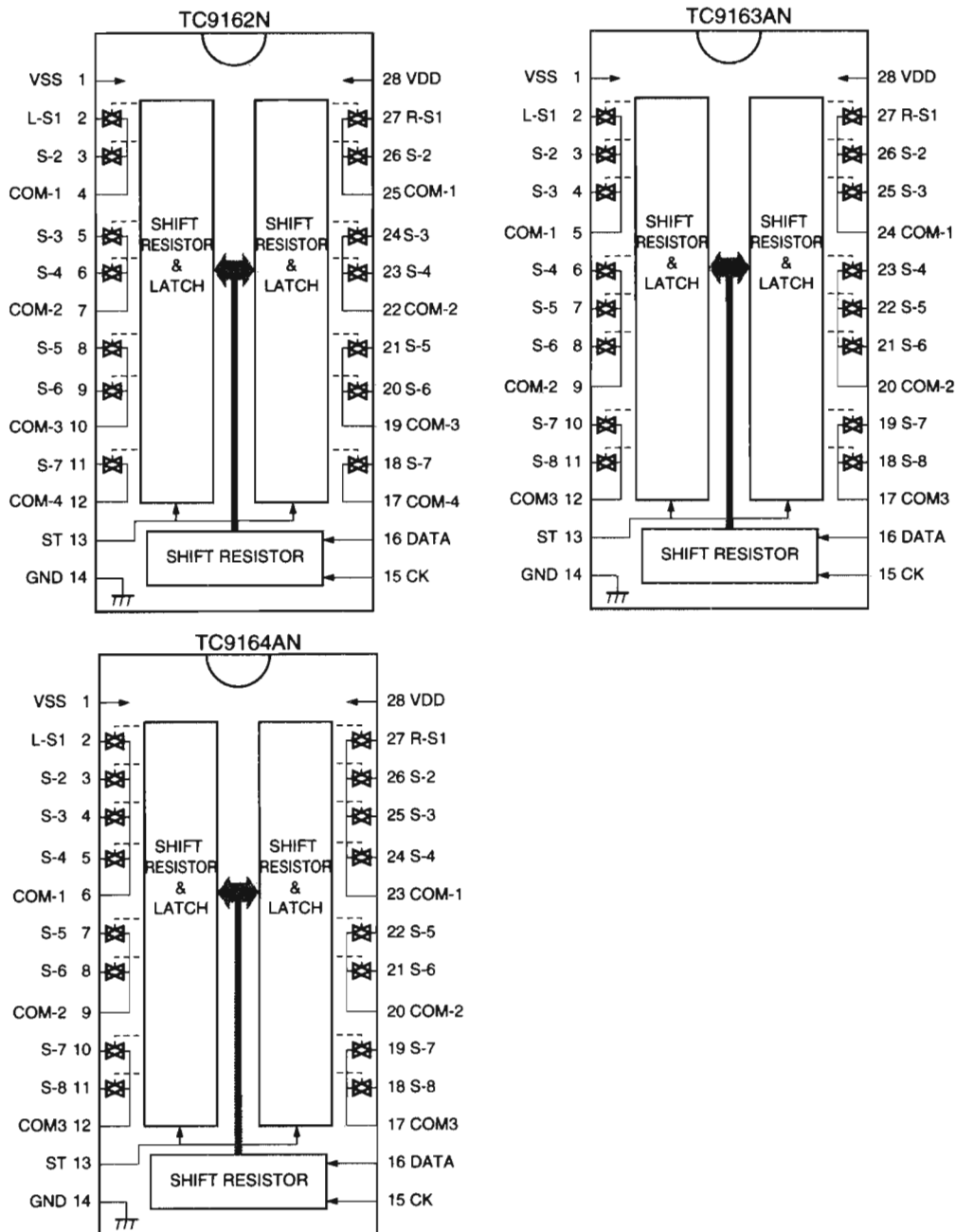


TC9162AN (IC321), TC9163AN (IC311), TC9164AN (IC304): Analog switch

1. Function

Switch to On/Off of S1 to S8 by control of LSI.

2. Terminal Lay out & Block Diagram



3. Correspondance of Switch & Data

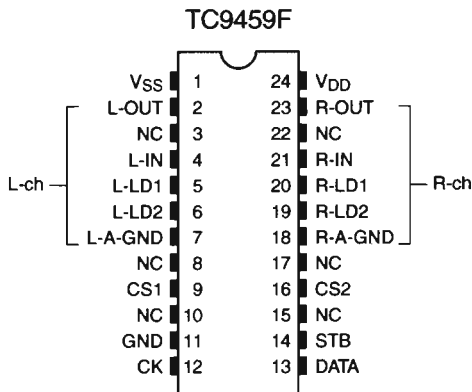
S1 ~ S8 are "1" position to ON by bit1 ~ 8 of Serial Data.

S9 is Right, S10 is Left Switch to ON/OFF. TC9162, TC9163 and TC9164 are select by bit11 ~ 14.

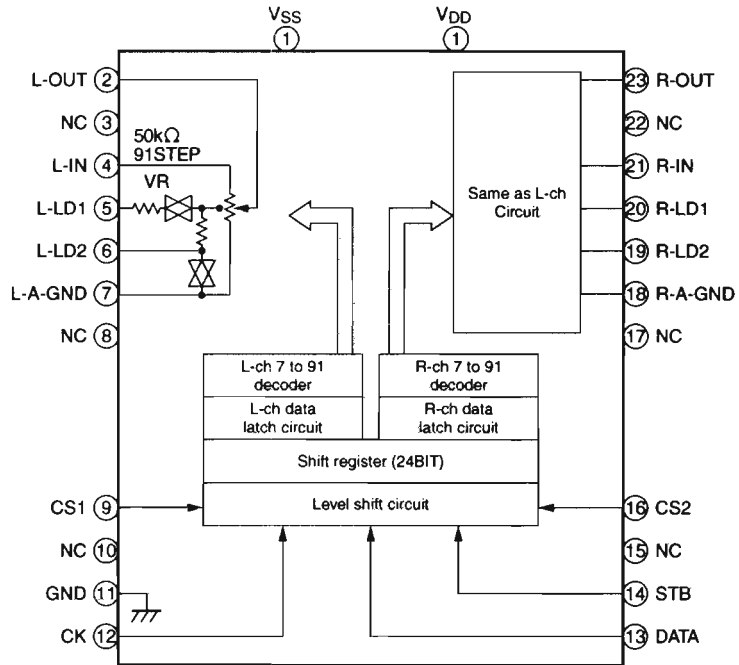
	Switch Select bit								Right Left		Switch Select bit				
	S1	S2	S3	S4	S5	S6	S7	S8	S9	S10	S11	S12	S13	S14	
TC9162N	S1 ~ S8 are "0" position to ON by bit1 ~ 8 of Serial Data.								0	0	0	0			
TC9163N	S1 ~ S8 are "1" position to ON by bit1 ~ 8 of Serial Data.								1	0	0	0			
TC9164N	S1 ~ S8 are "1" position to ON by bit1 ~ 8 of Serial Data.								0	1	0	0			

■ TC9459N/F (IC331, IC332, IC333) : Volume Control

1. Pin Layout



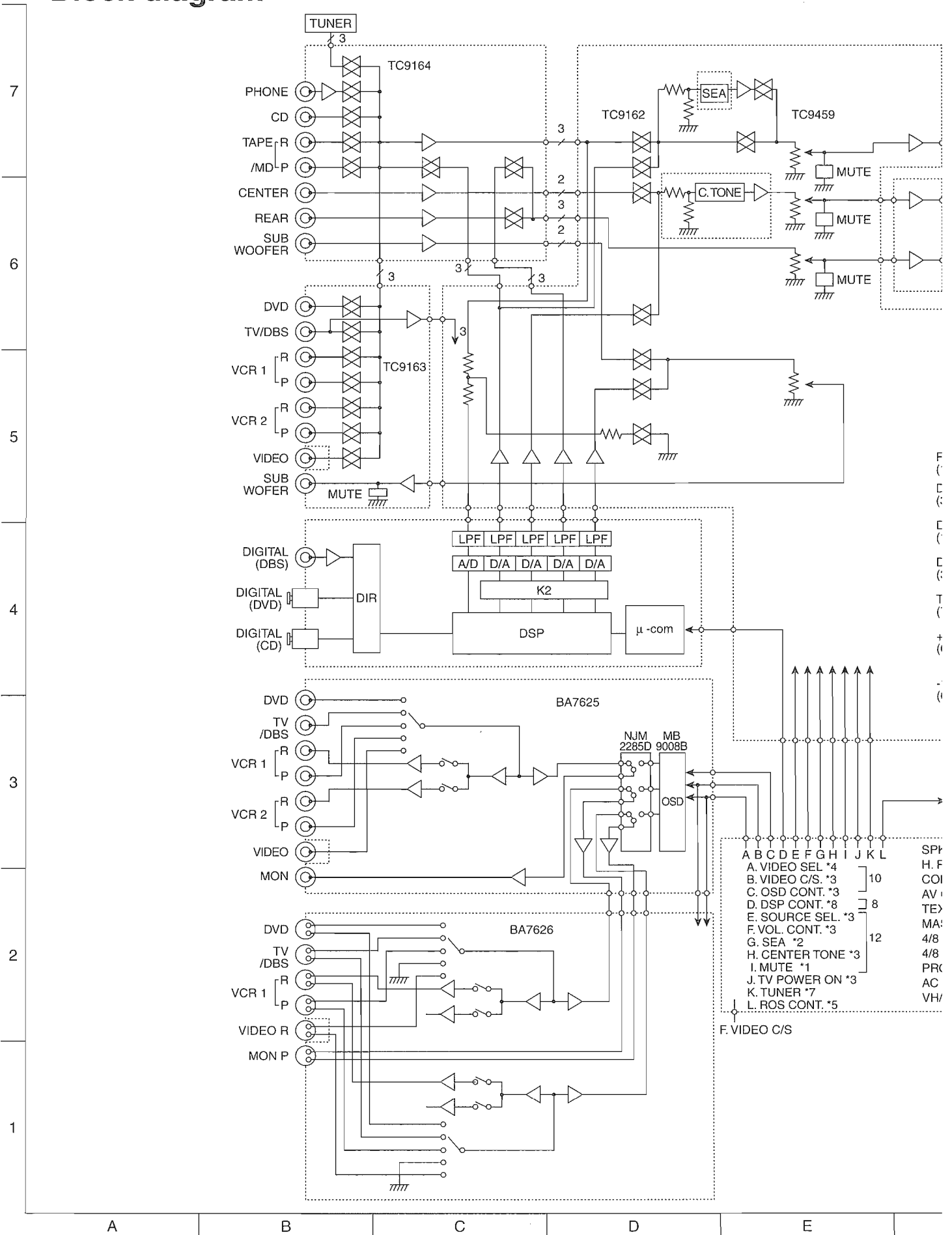
2. Block diagram

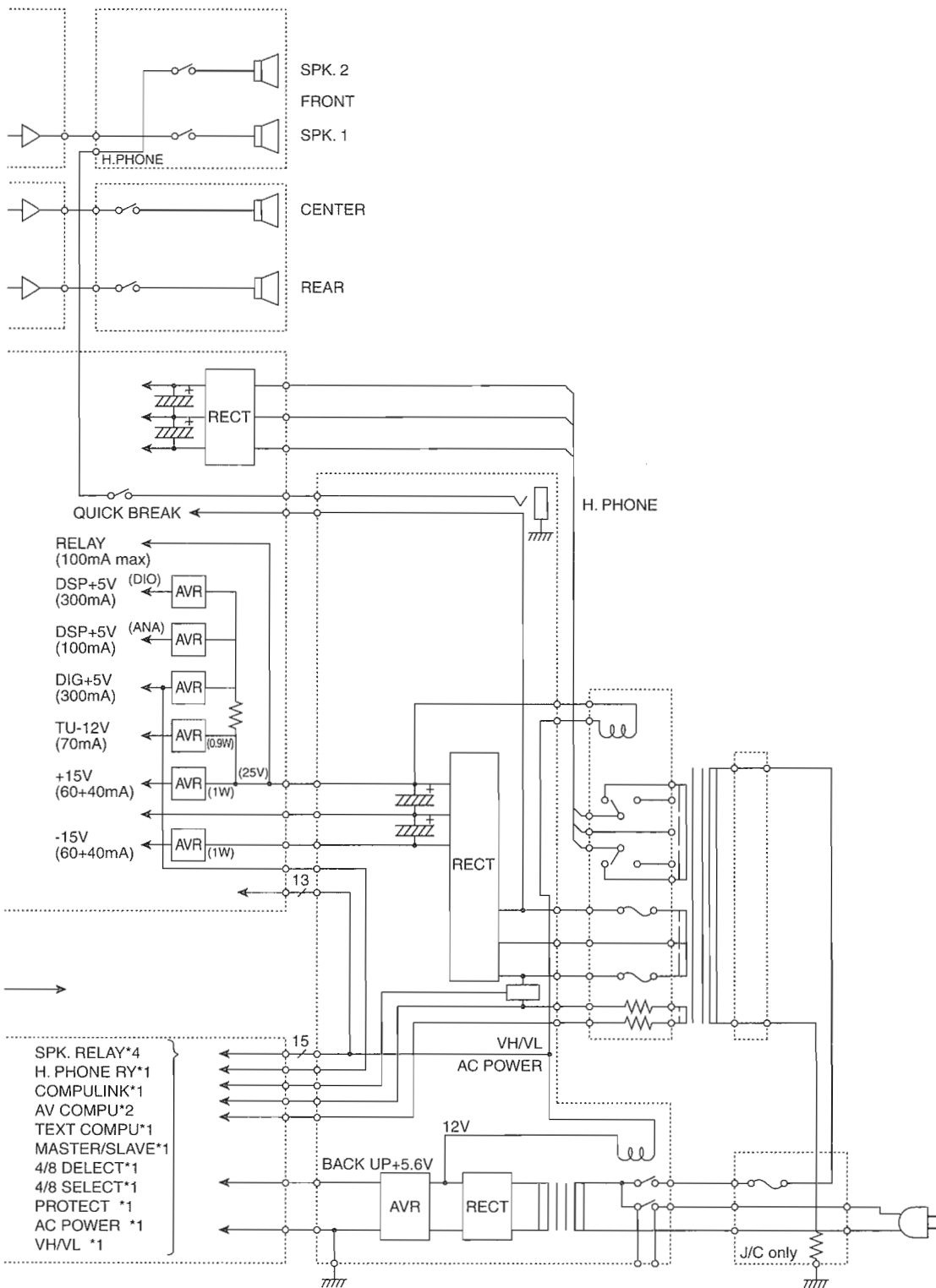


3. Pin Function

No.	Pin Name	I/O	Function
1	VSS	-	When using dual power supplies $\begin{cases} V_{DD} = 6.0 \sim 17V \\ GND = 0V \\ V_{SS} = -6.0 \sim -17V \end{cases}$ When using single power supplies $\begin{cases} V_{DD} = 6.0 \sim 18V \\ GND = V_{SS} = 0V \end{cases}$
11	GND	-	
24	VDD	-	
2	L-OUT	O	• Volume circuit
4	L-IN	I	
5	L-LD1	O	
6	L-LD2	O	
7	L-A-GND	-	
18	R-A-GND	-	
19	R-LD2	O	
20	R-LD1	O	
21	R-IN	I	
23	R-OUT	O	
9	CS1	I	Up to 4 chips on the same bus can be used by switching over chip select code.
16	CS2	I	
12	CK	I	Data transfer clock input
13	DATA	I	Volume setup serial data input
14	STB	I	Data write strobe input
3	NC	-	-
8			
10			
15			
17			
22			

Block diagram





F

G

H

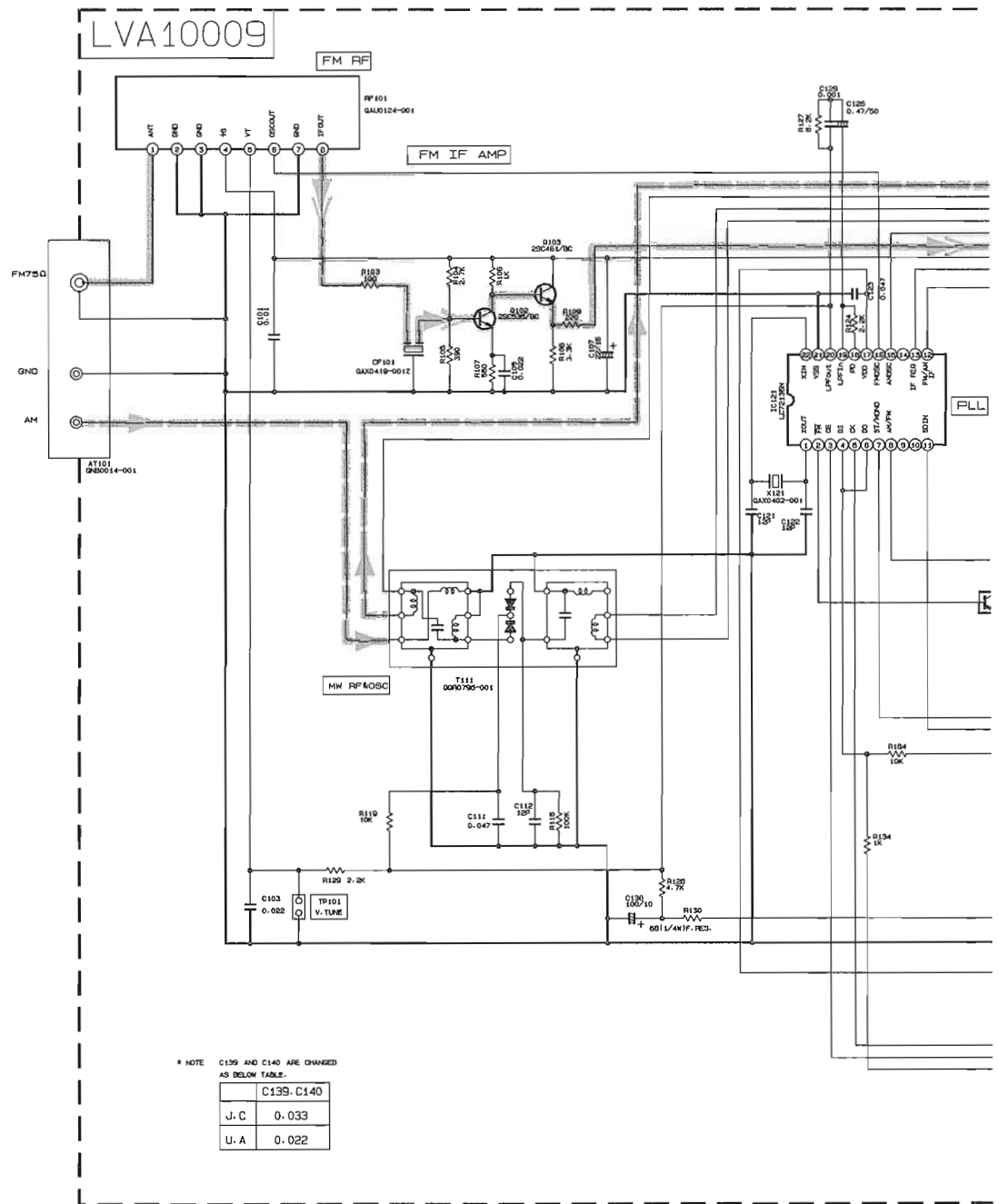
I

J

Standard schematic diagrams

■ Tuner circuit (C/J/U version)

7
6
5
4
3
2
1

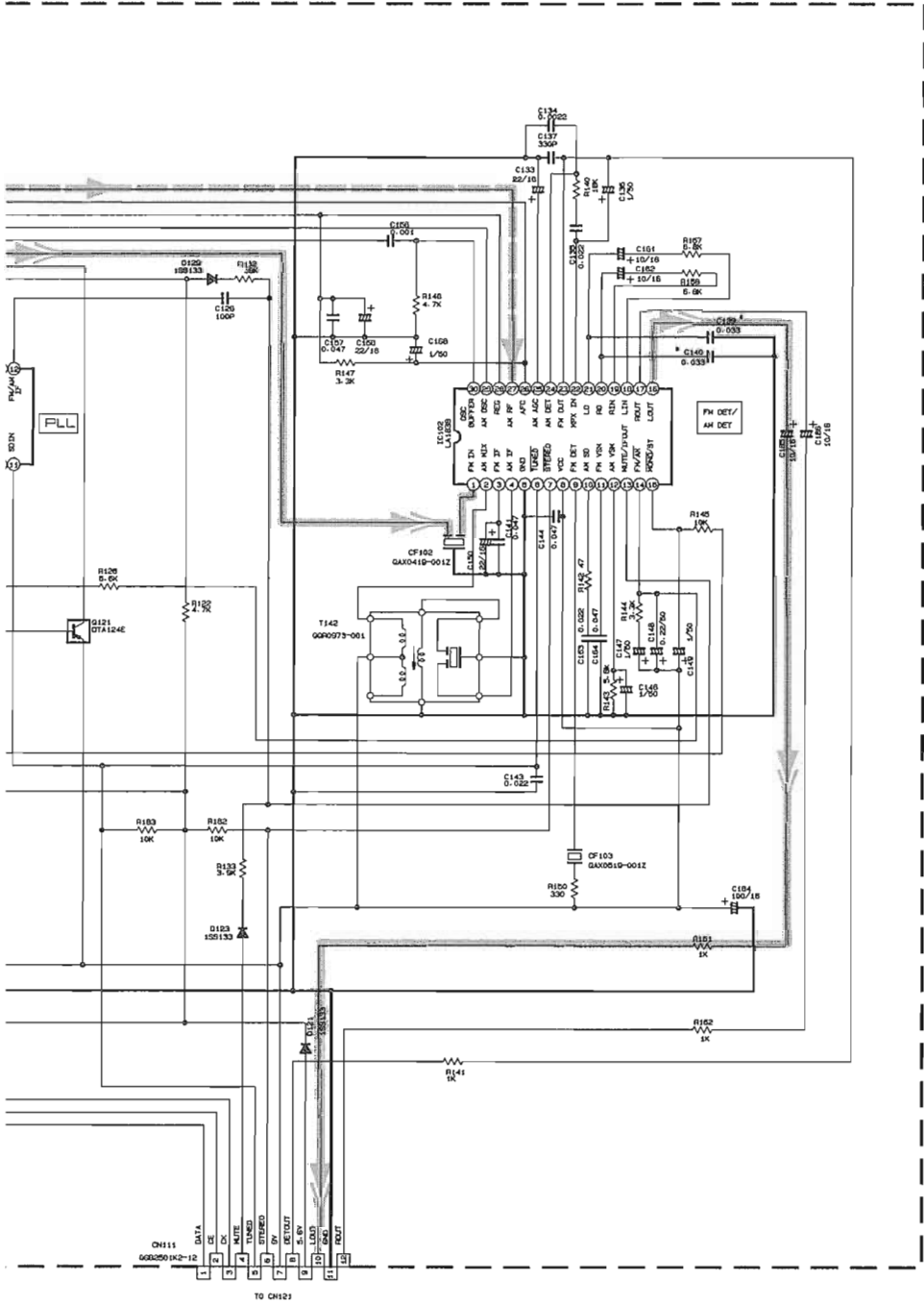




* NOTE C139 AND C140 ARE CHANGED AS BELOW TABLE.

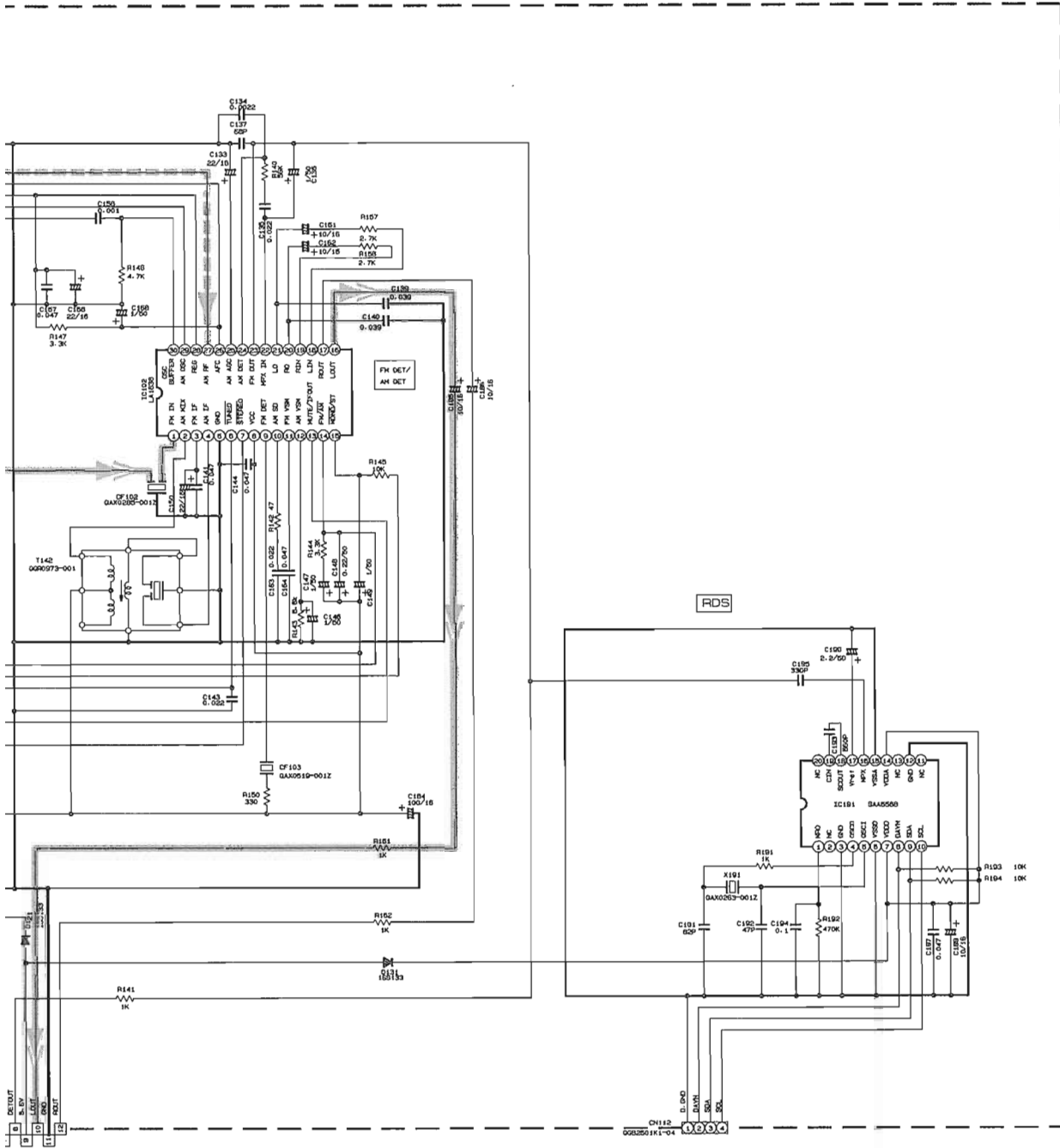
	C139, C140
J. C	0.033
U. A	0.022

Note : E911286
/s/R/STDTUPWB3

A B C D E



 AM radio signal
 FM radio signal



MW radio signal
 FM radio signal

F

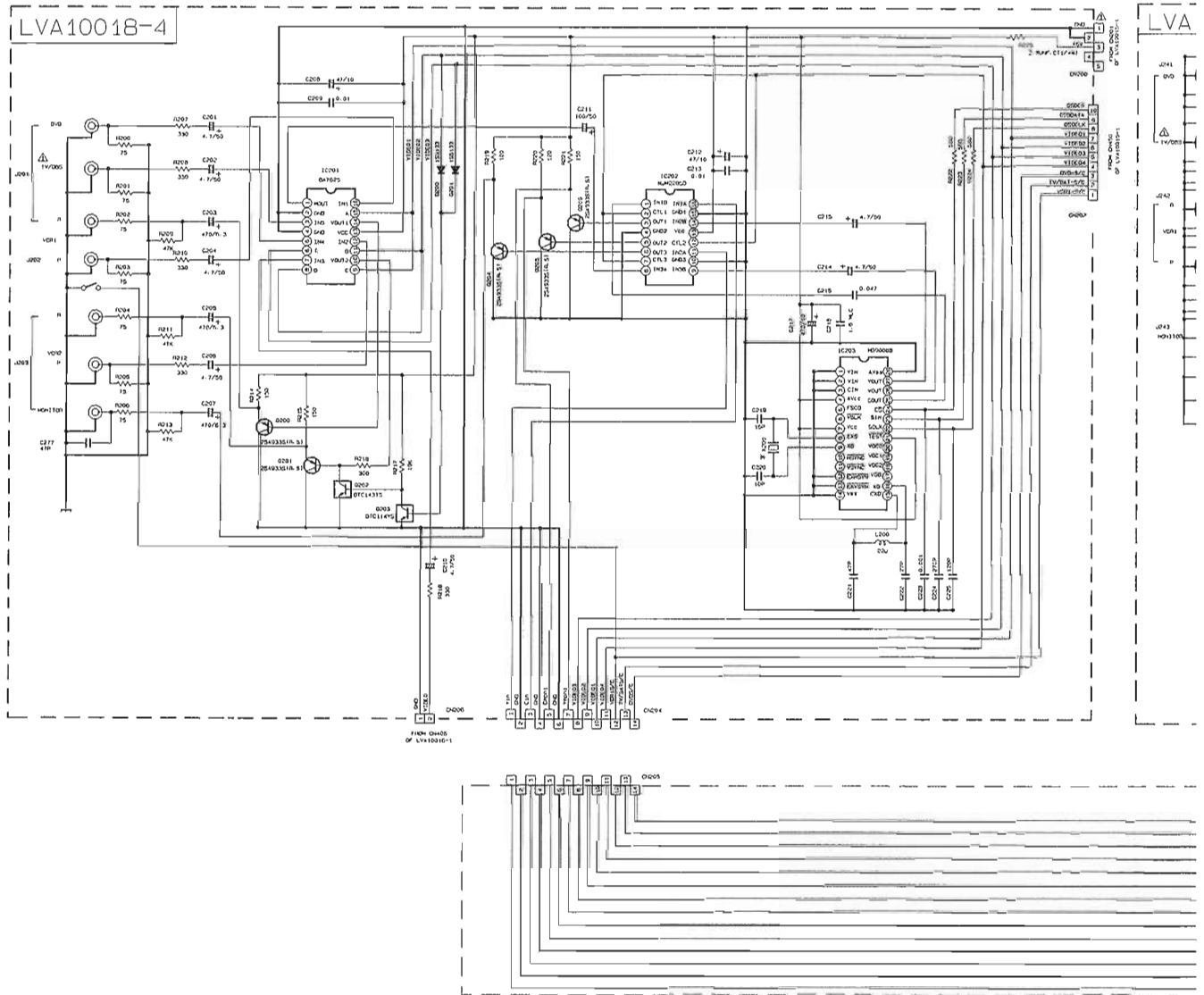
G

H

I

J

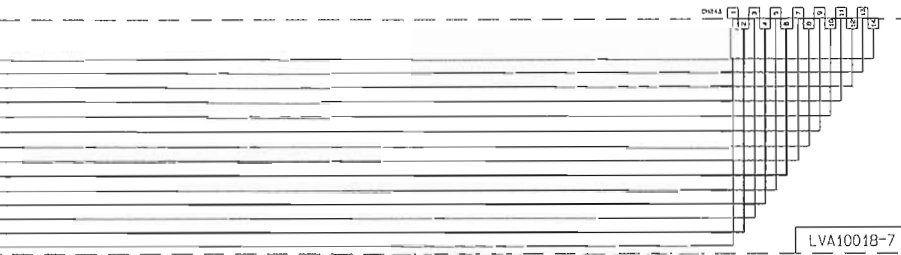
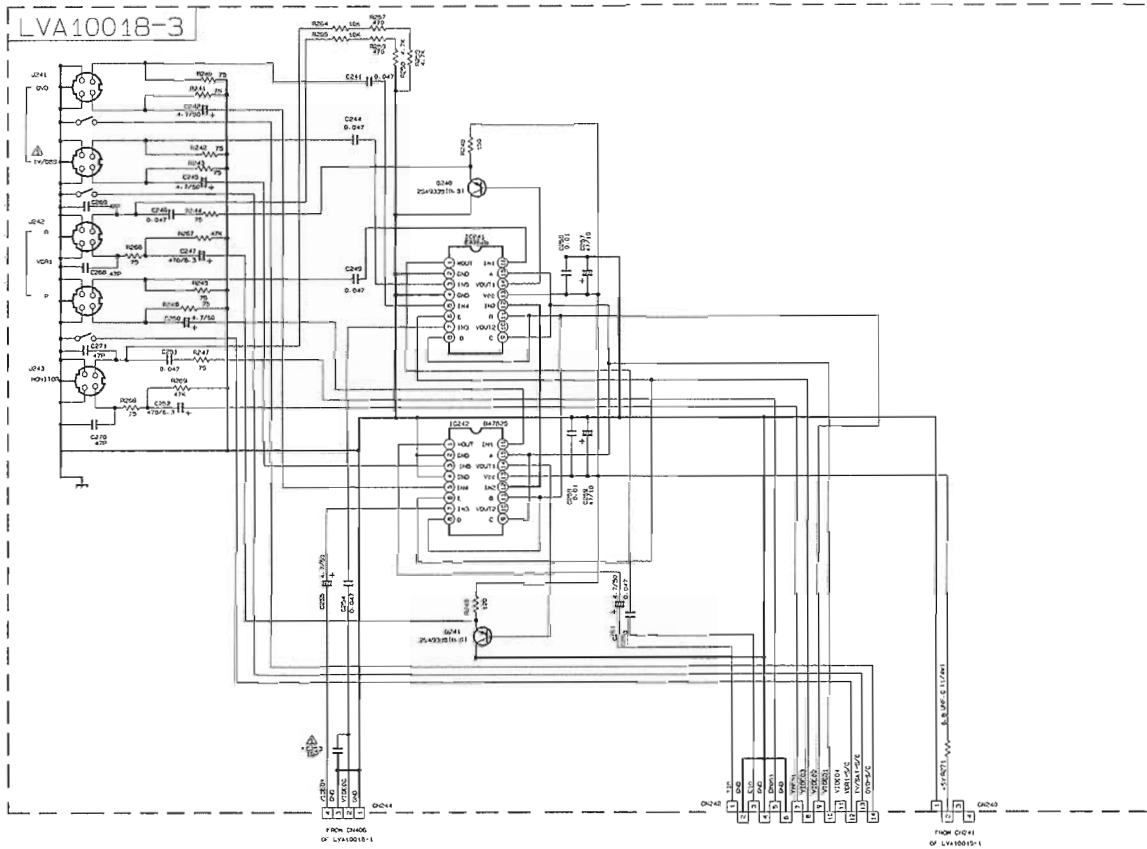
■ Video signal selector circuit



Note : LVB10010
lva10018b

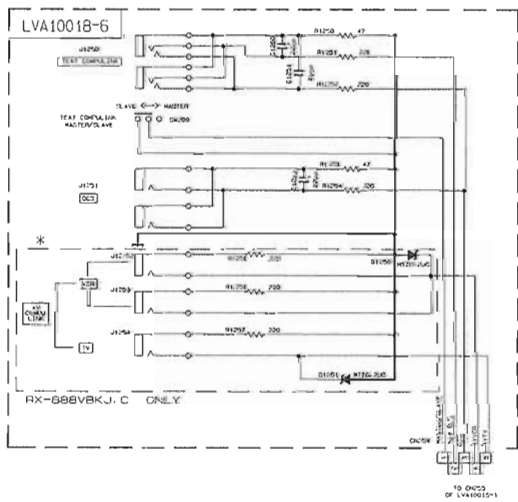
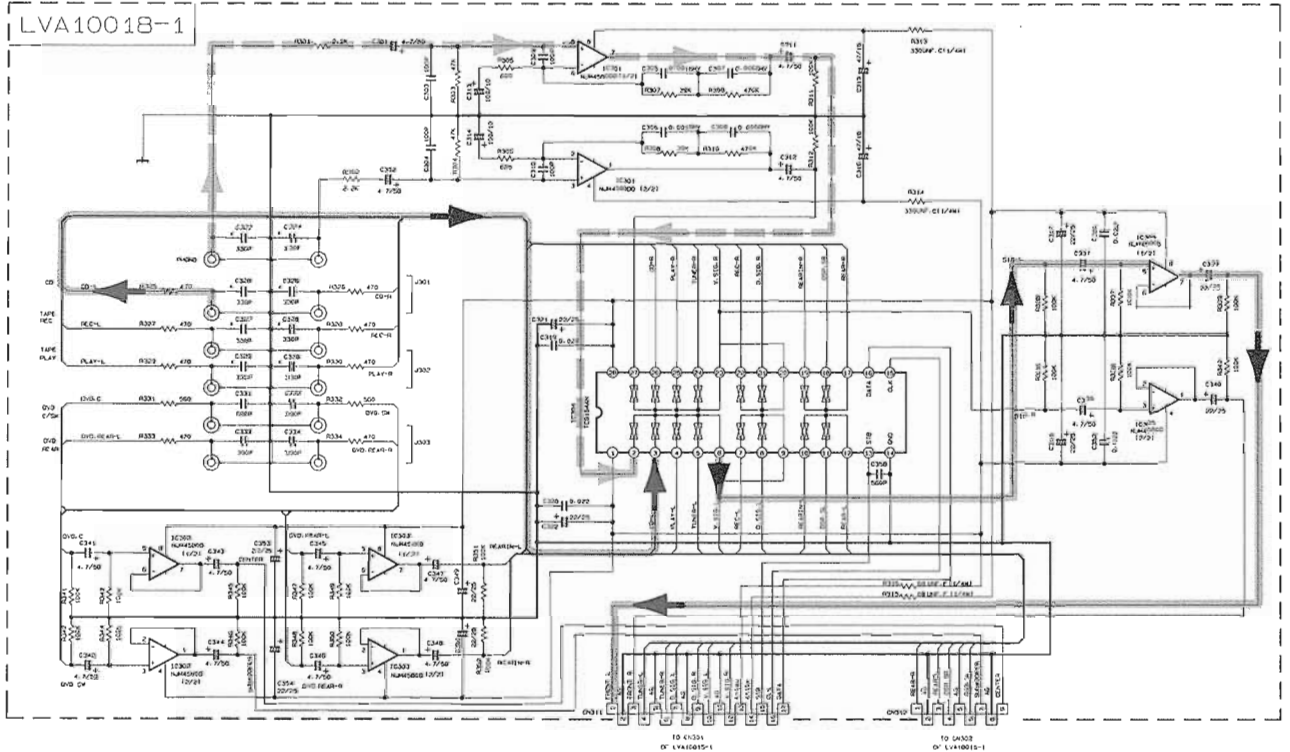
*MARK LIST

	RX-888VBK J. C	RX-8
X200	QAX0260-001Z	QAX02
C253	NONE	U:



RX-888PBK UF	RX-888RBK B. E. EN	RX-889VGD UT	RX-889PGD UB. UF. US
QAX0261-001Z	QAX0261-001Z	QAX0260-001Z	QAX0261-001Z
USED	USED	USED	USED

Audio signal selector circuit



* MARK LIST

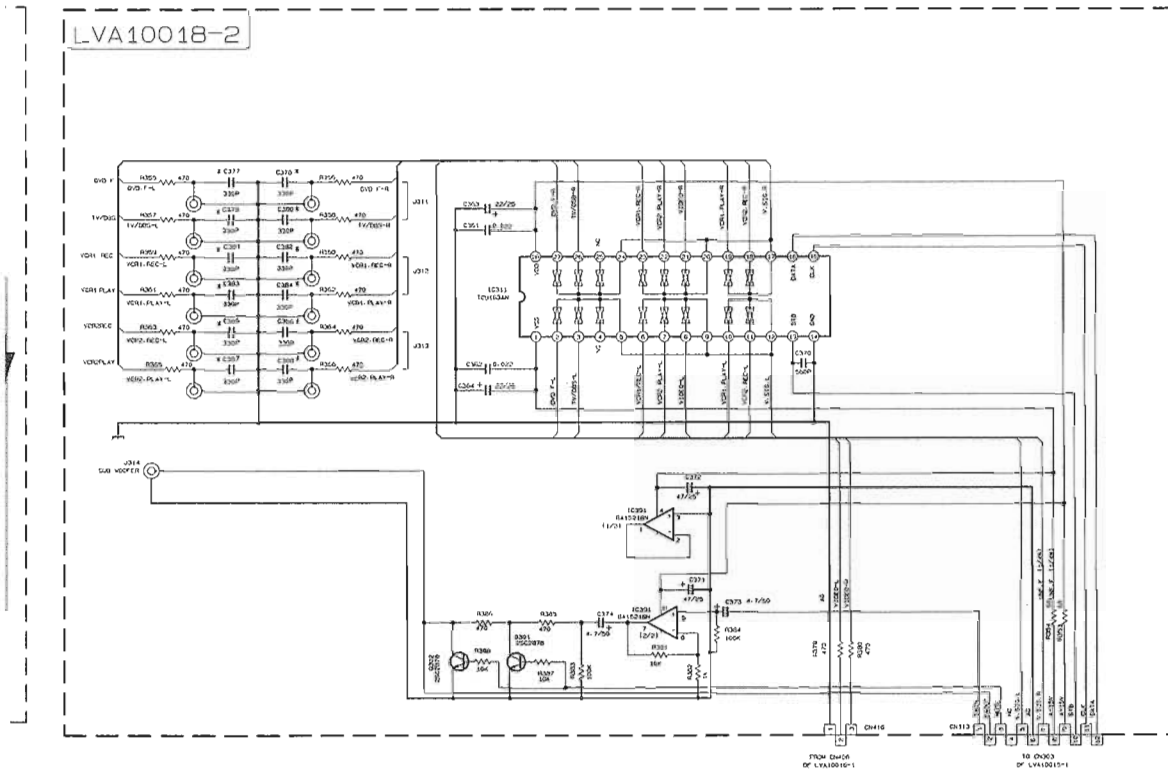
C323	C330	NONE
C377	C388	NONE

RX-888VBKJ.C

Note : LVS10010
lva10018a



7
6
5
4
3
2
1

A B C D E



J	C	B. E. EN	UB. UF. US. UT
NONE	NONE	USED	△USED
NONE	NONE	USED	△USED

3BV/BKJ. C ONLY

 CD signal line
 Phono signal line

F

G

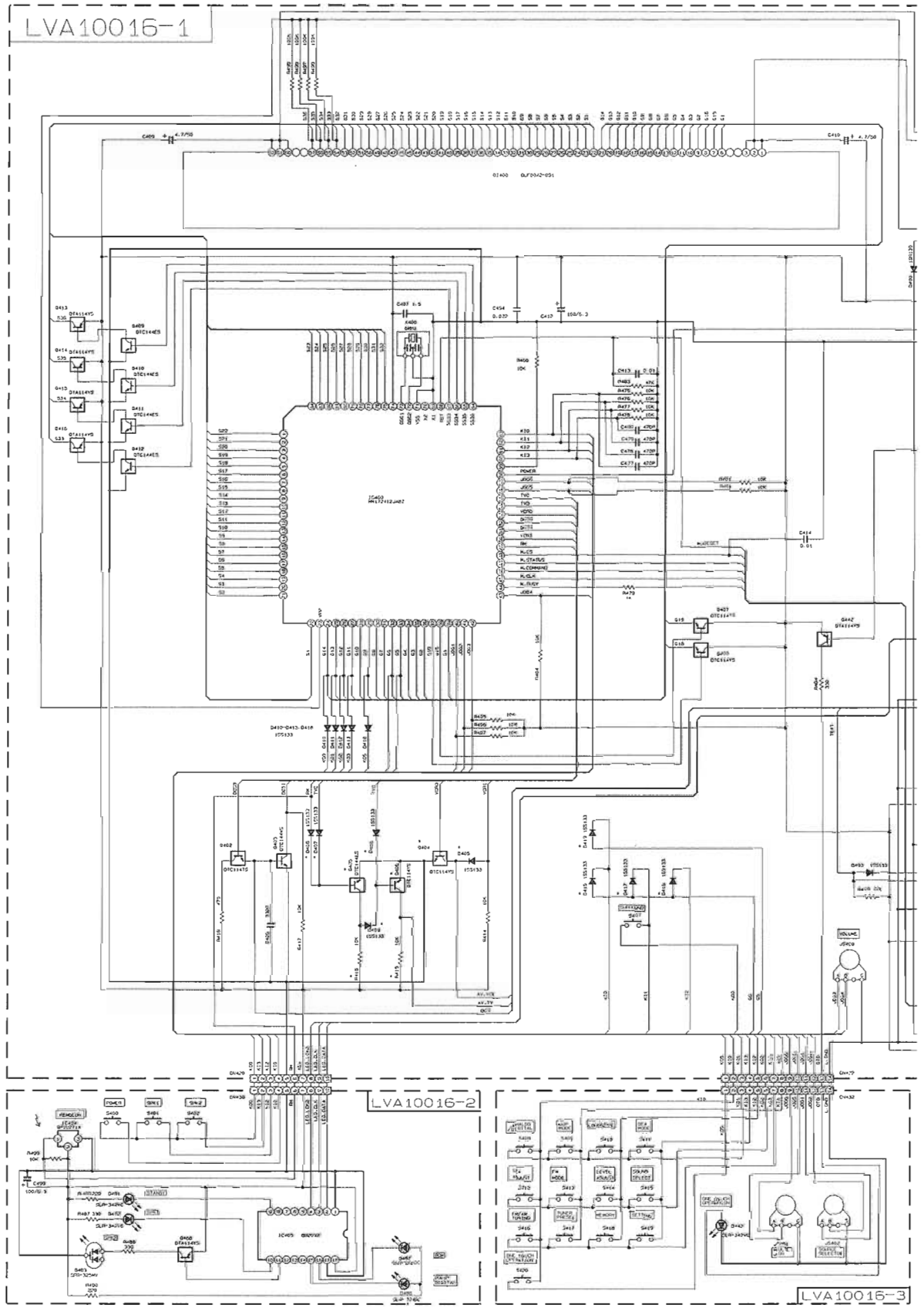
H

I

J

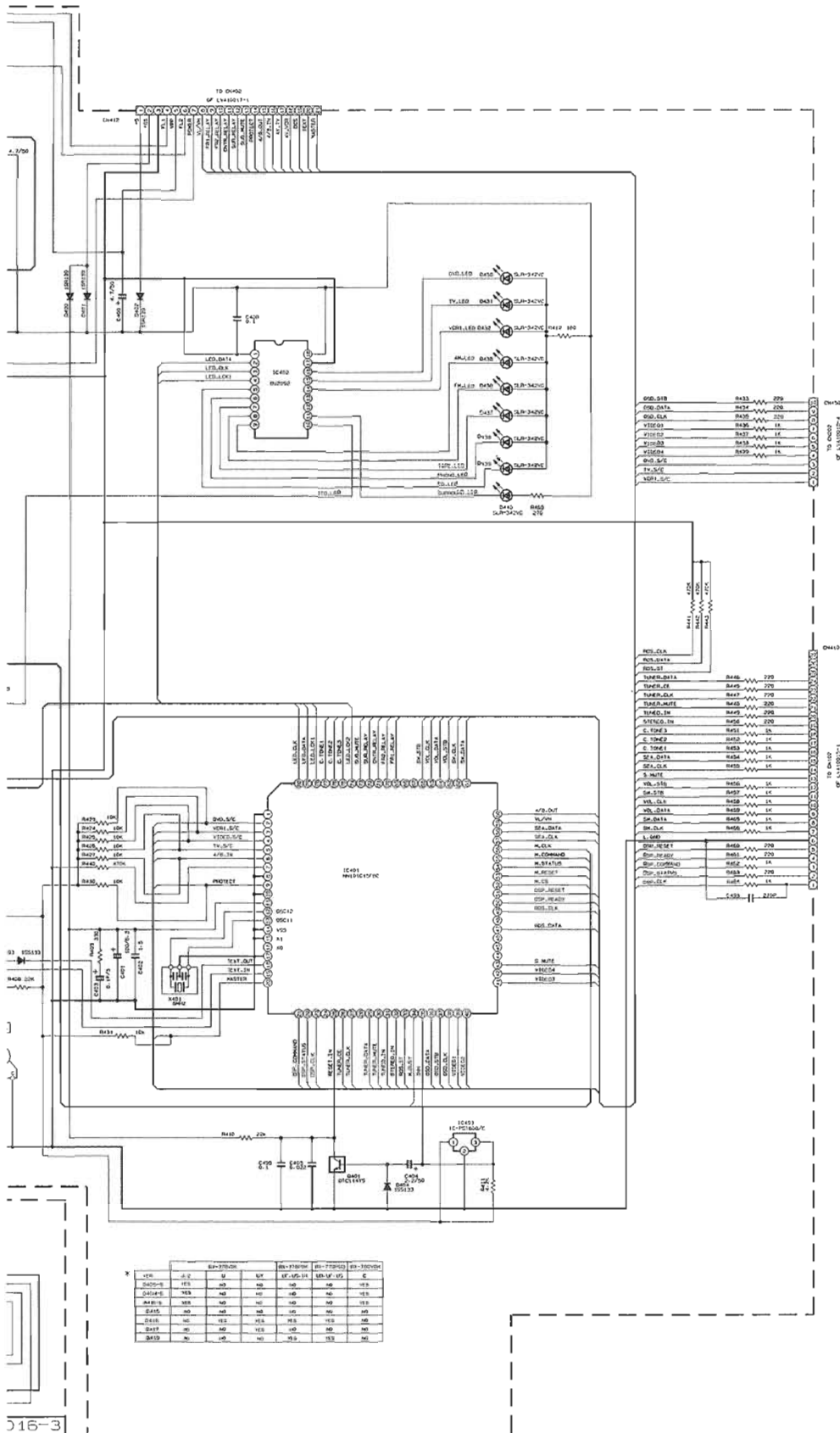
FL display / system control circuit

7
6
5
4
3
2
1



Note : LVS10011
lva10016a

A B C D E



	SA-370/CH	SA-370/CH	SA-370/CH	SA-370/CH	SA-370/CH
VTR	-1.2	0	0	0	0
SA370-S	YES	NO	NO	NO	NO
SA370-E	YES	NO	NO	NO	NO
SA370-I	YES	NO	NO	NO	NO
SA370-J	YES	NO	NO	NO	NO
SA370-K	YES	NO	NO	NO	NO
SA370-L	YES	NO	NO	NO	NO
SA370-M	YES	NO	NO	NO	NO
SA370-N	YES	NO	NO	NO	NO
SA370-O	YES	NO	NO	NO	NO
SA370-P	YES	NO	NO	NO	NO
SA370-Q	YES	NO	NO	NO	NO
SA370-R	YES	NO	NO	NO	NO
SA370-S	YES	NO	NO	NO	NO
SA370-T	YES	NO	NO	NO	NO
SA370-U	YES	NO	NO	NO	NO
SA370-V	YES	NO	NO	NO	NO
SA370-W	YES	NO	NO	NO	NO
SA370-X	YES	NO	NO	NO	NO
SA370-Y	YES	NO	NO	NO	NO
SA370-Z	YES	NO	NO	NO	NO

DSP circuit

7

6

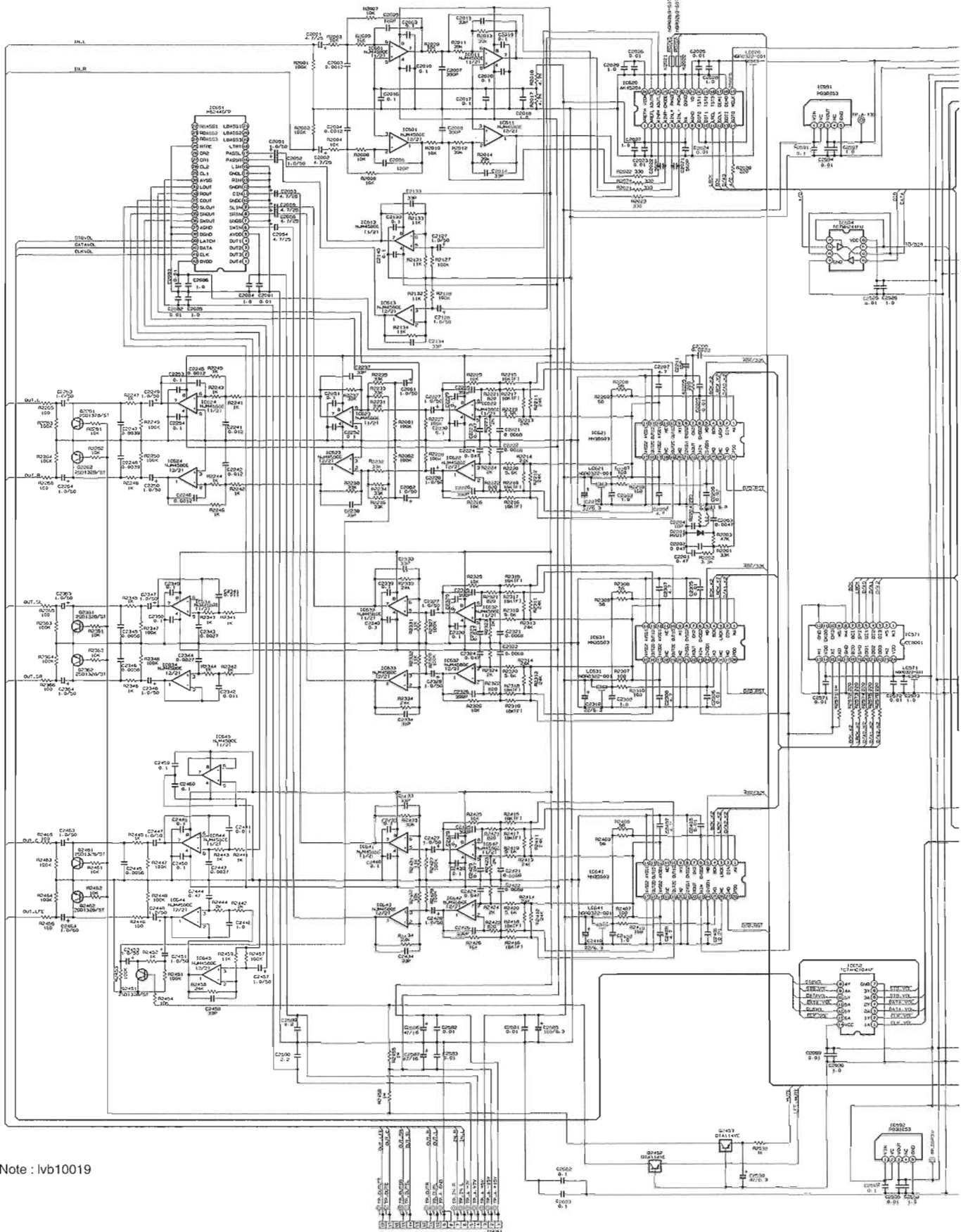
5

4

3

2

1



Note : lvb10019

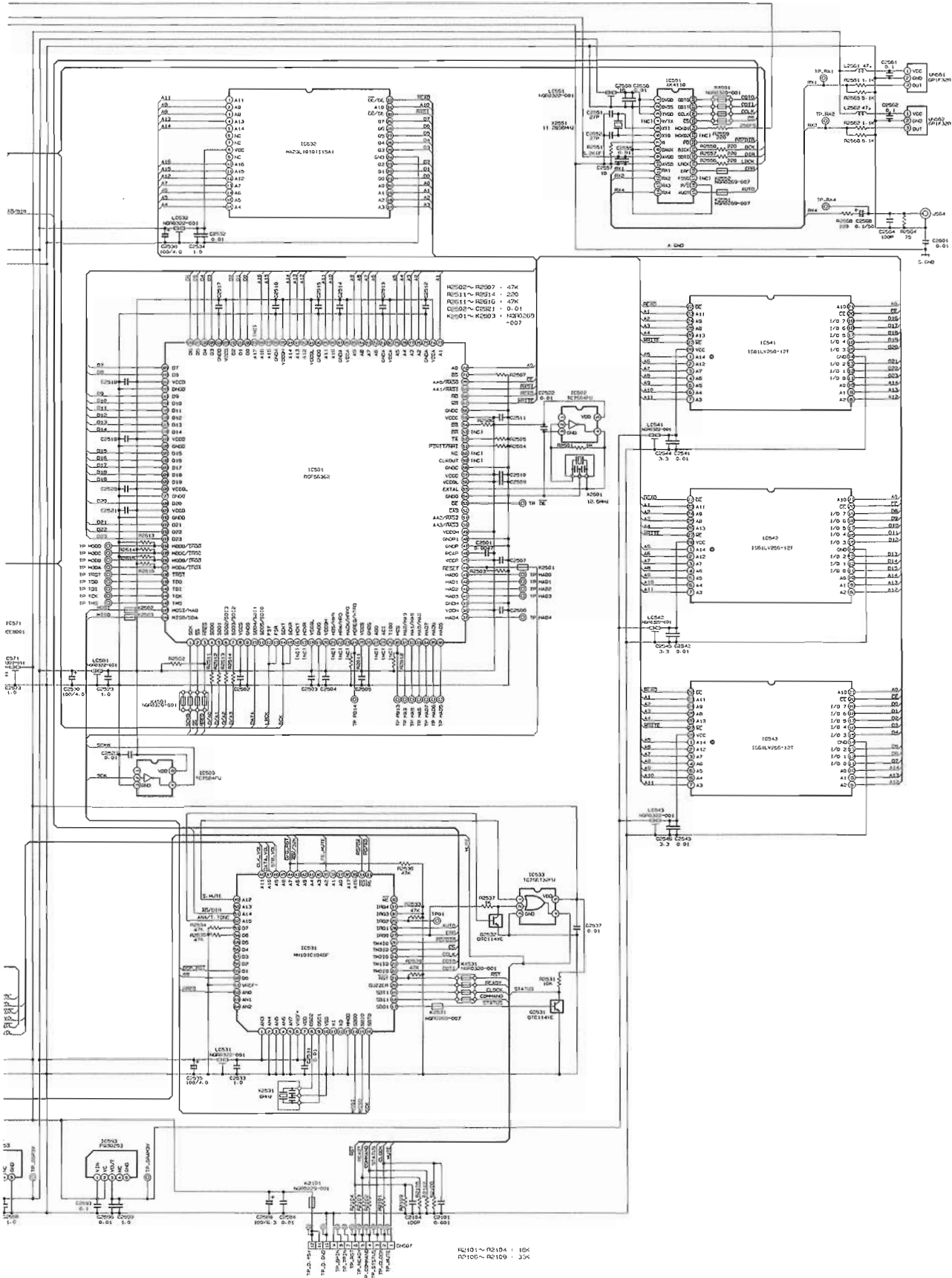
A

B

C

D

E



■ Main amplifier circuit 1/2

7

6

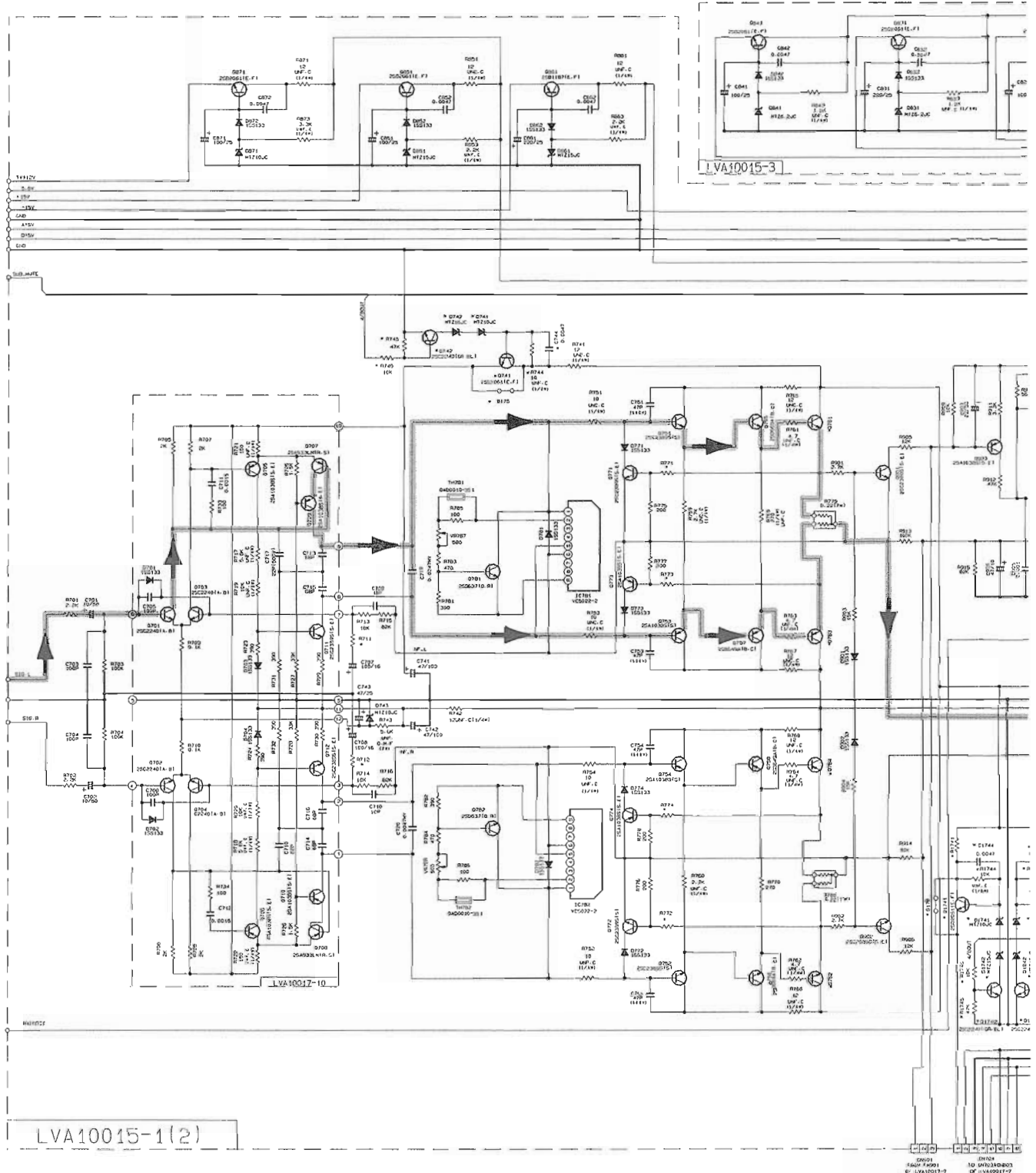
5

4

3

2

1



Note : LVS10010
lva10015b

A

B

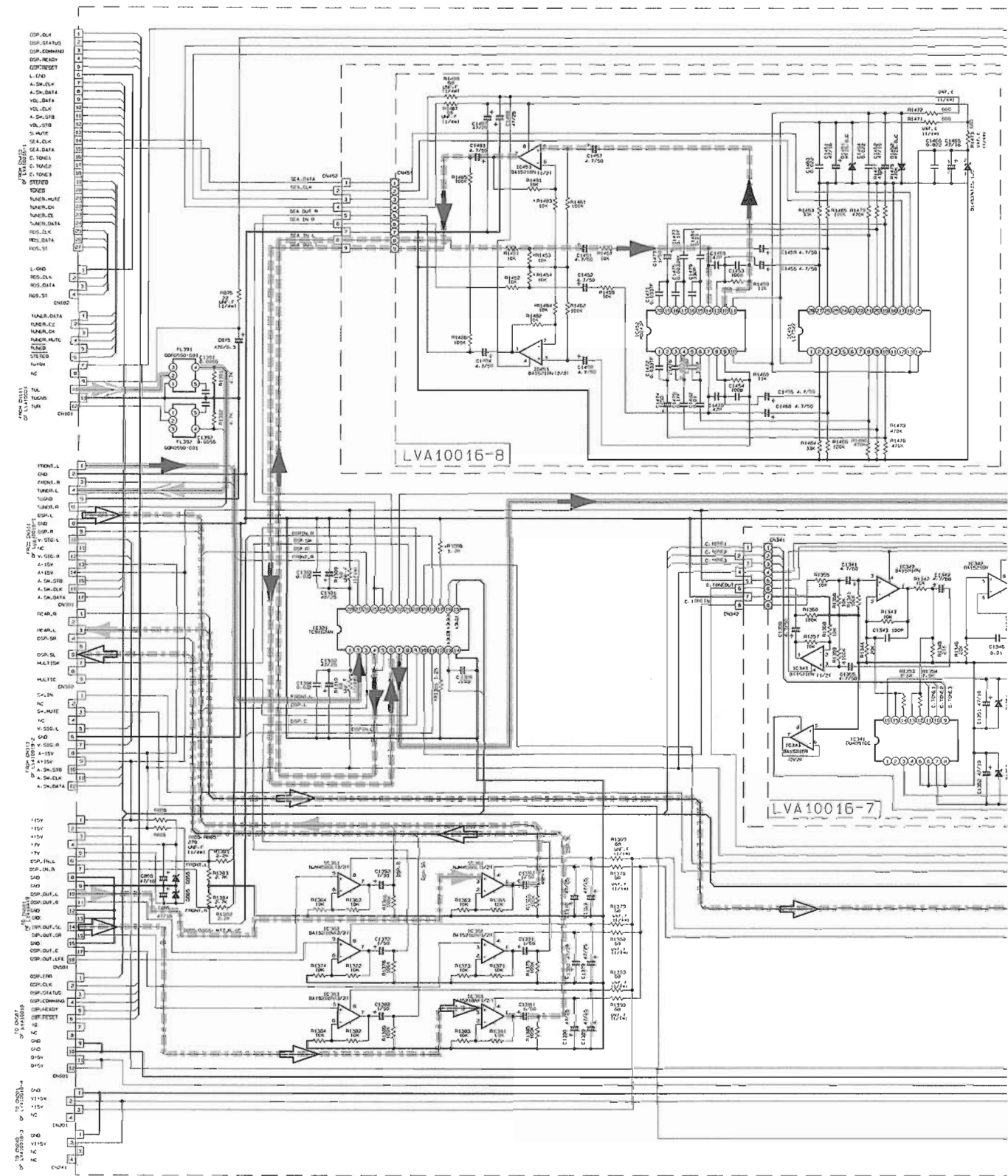
C

D

E

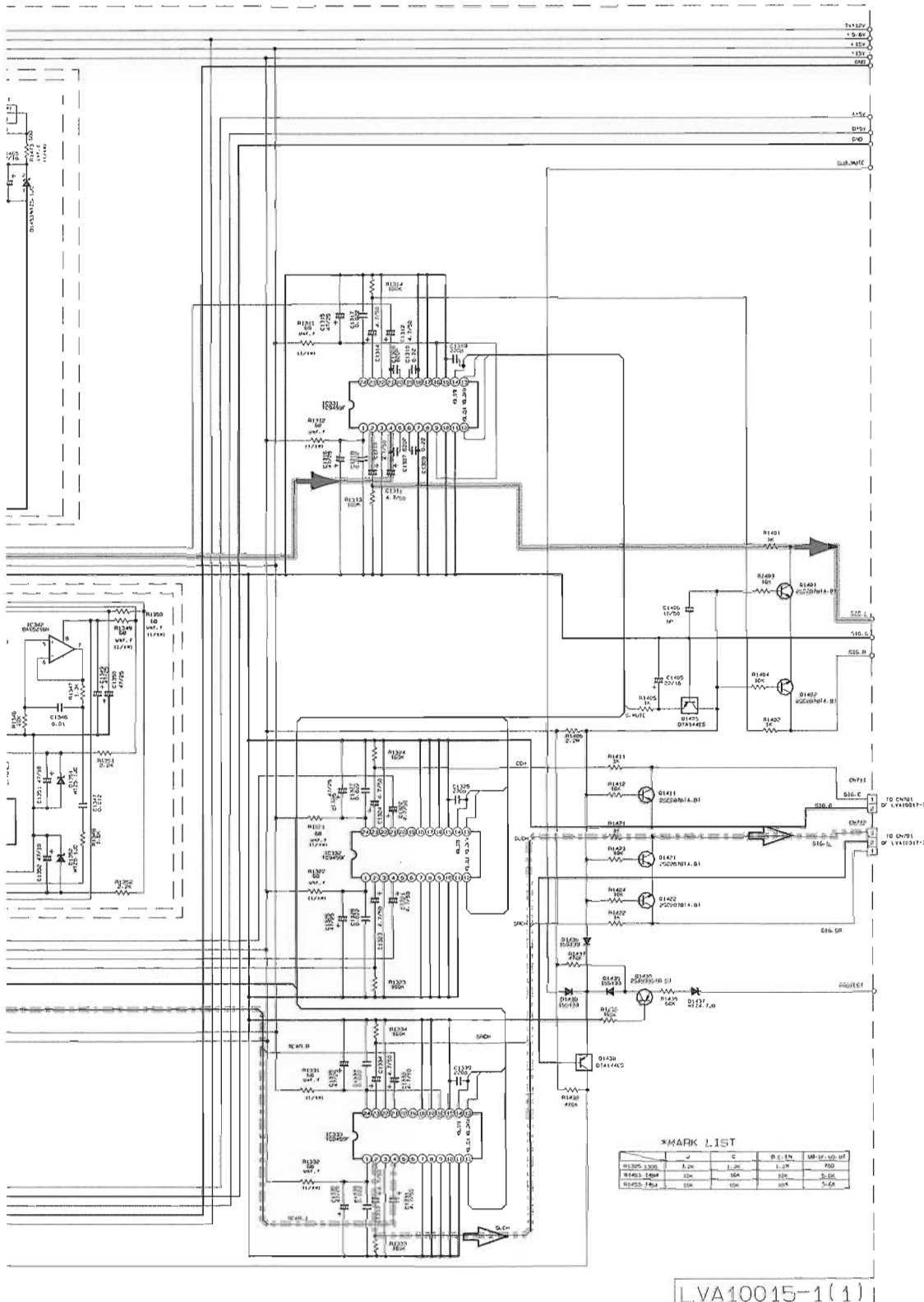
Main amplifier circuit 2/2

7
6
5
4
3
2
1



Note : LVS10010
LVA10015a

A B C D E



F

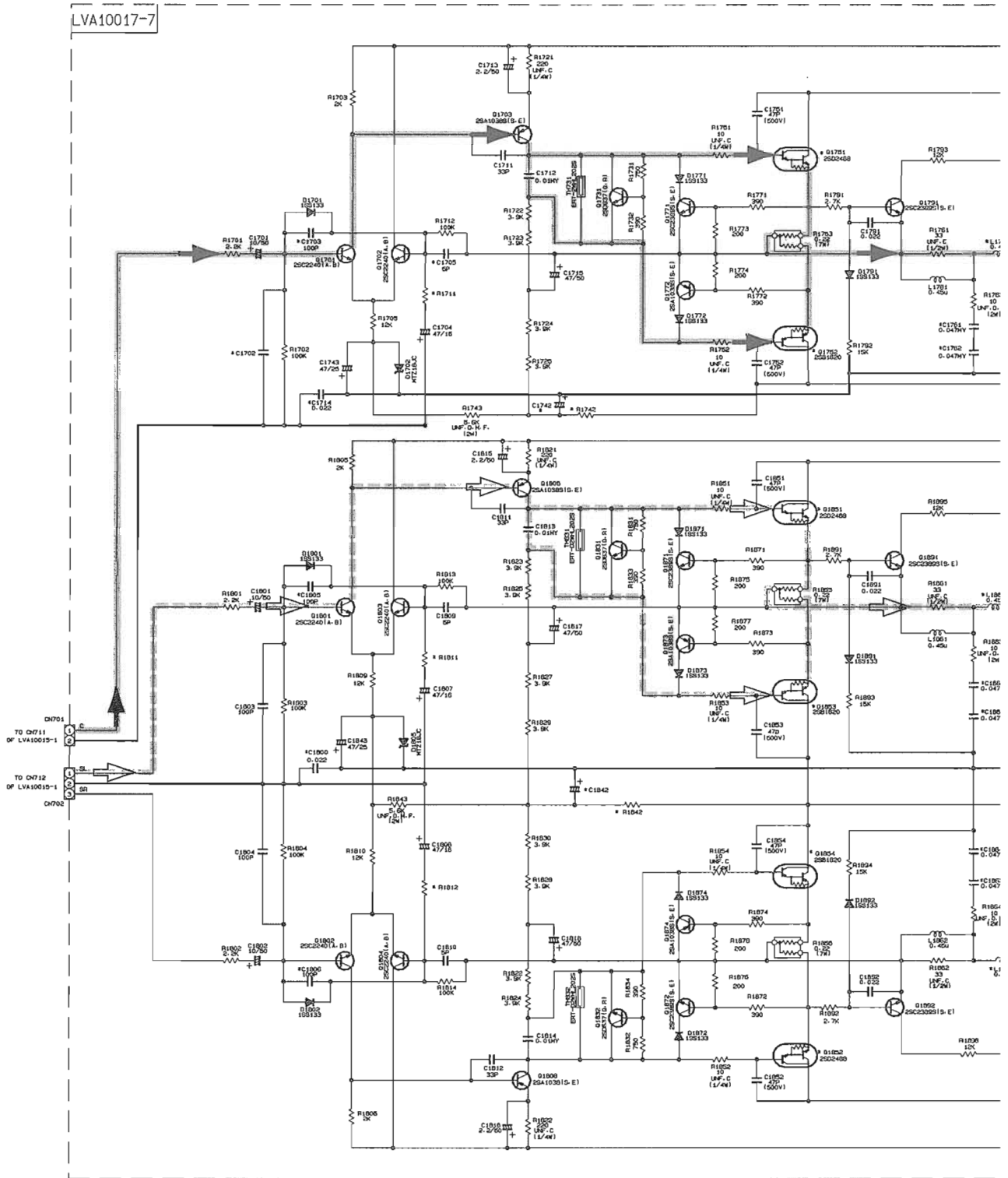
G

H

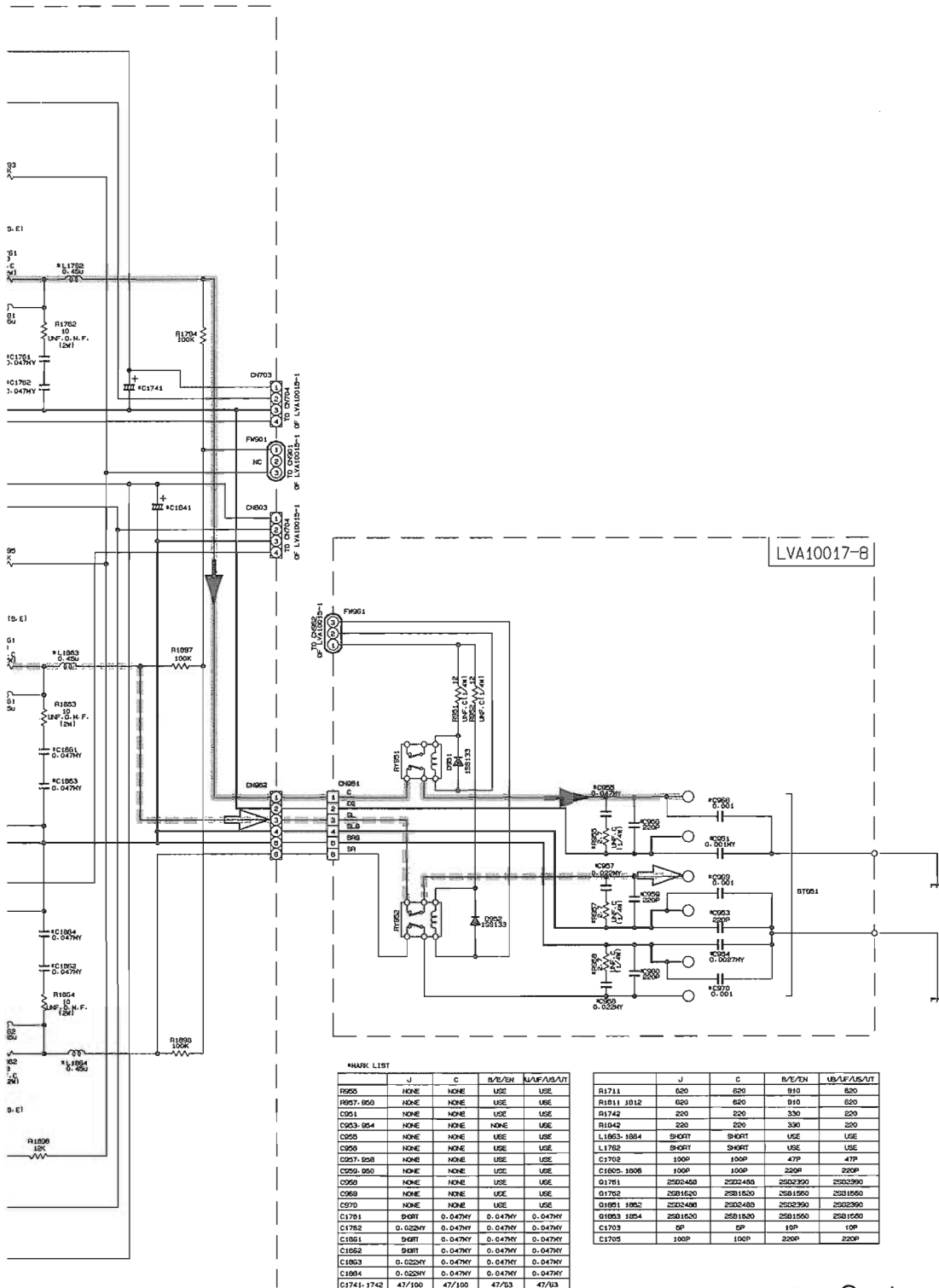
I

J

Center/rear amplifier circuit



Note : LVS10010
lva10017b



MARK LIST

	J	C	B/E/W	US/AF/US/UT
R900	NONE	NONE	USE	USE
R907-950	NONE	NONE	USE	USE
C901	NONE	NONE	USE	USE
C903-954	NONE	NONE	NONE	USE
C950	NONE	NONE	USE	USE
C955	NONE	NONE	USE	USE
C957-958	NONE	NONE	USE	USE
C959-960	NONE	NONE	USE	USE
C960	NONE	NONE	USE	USE
C969	NONE	NONE	USE	USE
C970	NONE	NONE	USE	USE
C1781	SHORT	0.047M	0.047M	0.047M
C1782	0.022M	0.047M	0.047M	0.047M
C1851	SHORT	0.047M	0.047M	0.047M
C1852	SHORT	0.047M	0.047M	0.047M
C1853	0.022M	0.047M	0.047M	0.047M
C1854	0.022M	0.047M	0.047M	0.047M
C1741-1742	47/100	47/100	47/63	47/63
C1841-1842	47/100	47/100	47/63	47/63

	J	C	B/E/W	US/AF/US/UT
R1711	620	620	610	620
R1811-1812	620	620	610	620
R1742	220	220	330	220
R1842	220	220	330	220
L1863-1864	SHORT	SHORT	USE	USE
L1762	SHORT	SHORT	USE	USE
C1705	100P	100P	47P	47P
C1805-1806	100P	100P	220P	220P
C1761	250240B	250240B	2502390	2502390
G1762	2501620	2501620	2501550	2501550
G1891-1892	250240B	250240B	2502390	2502390
G1893-1894	2501620	2501620	2501550	2501550
C1703	5P	5P	10P	10P
C1705	100P	100P	220P	220P

Center signal
 Rear signal

■ Power supply circuit (C version)

7

6

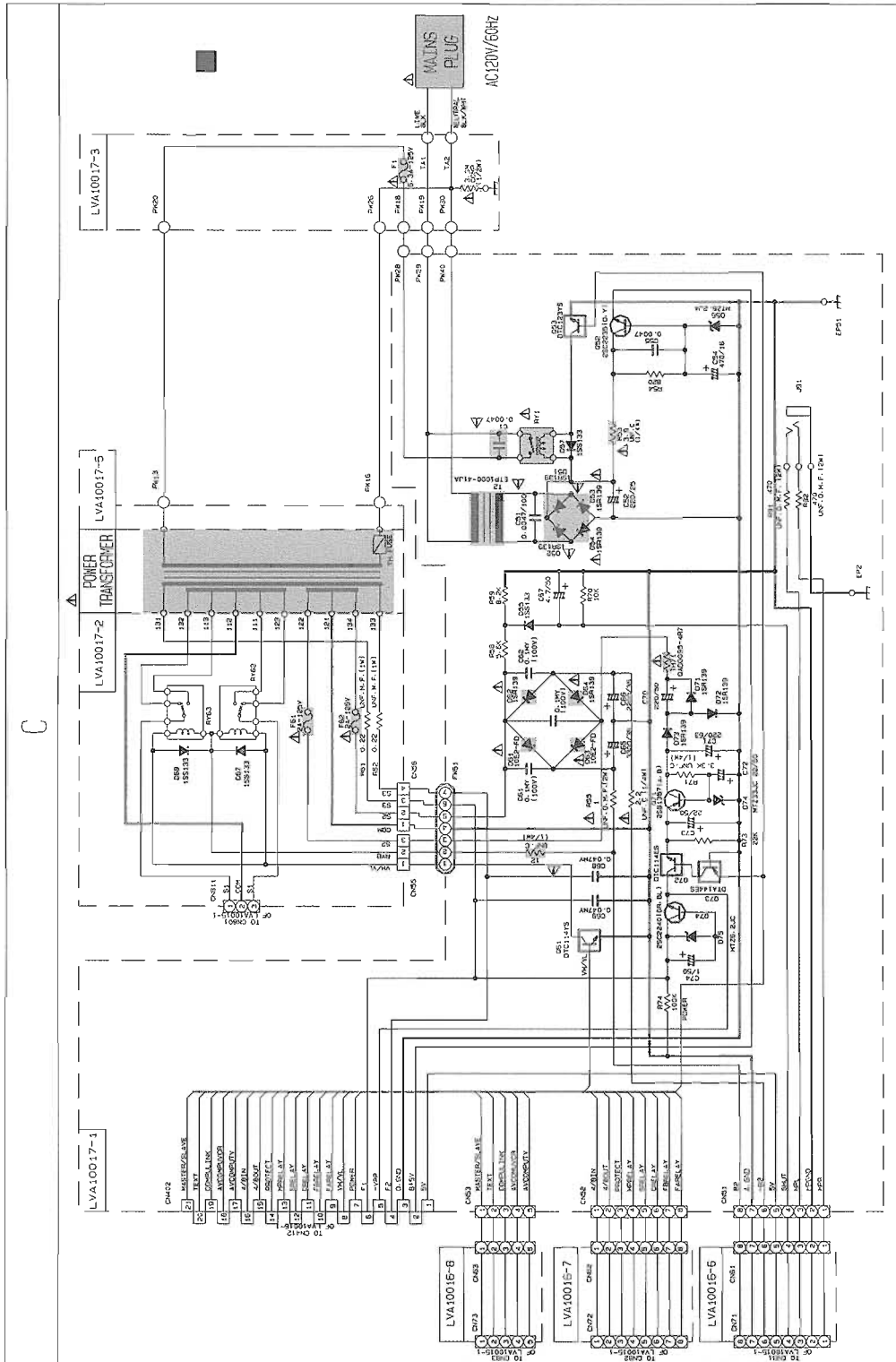
5

4

3

2

1



NOTES:
 MARK(*) IS TO SHOW DEVIATION IN VERSIONS.
 DETAILS ARE EXPLAINED NEAR THE MARK.

EXPLANATION OF OVERALL OF SCHEMA.
 RX-889VBK/RX-889FBK/RX-889PBK/RX-889VGD/RX-889PGD

▲ Parts are safety assurance parts.
 When replacing those parts make
 sure to use the specified one.

A

B

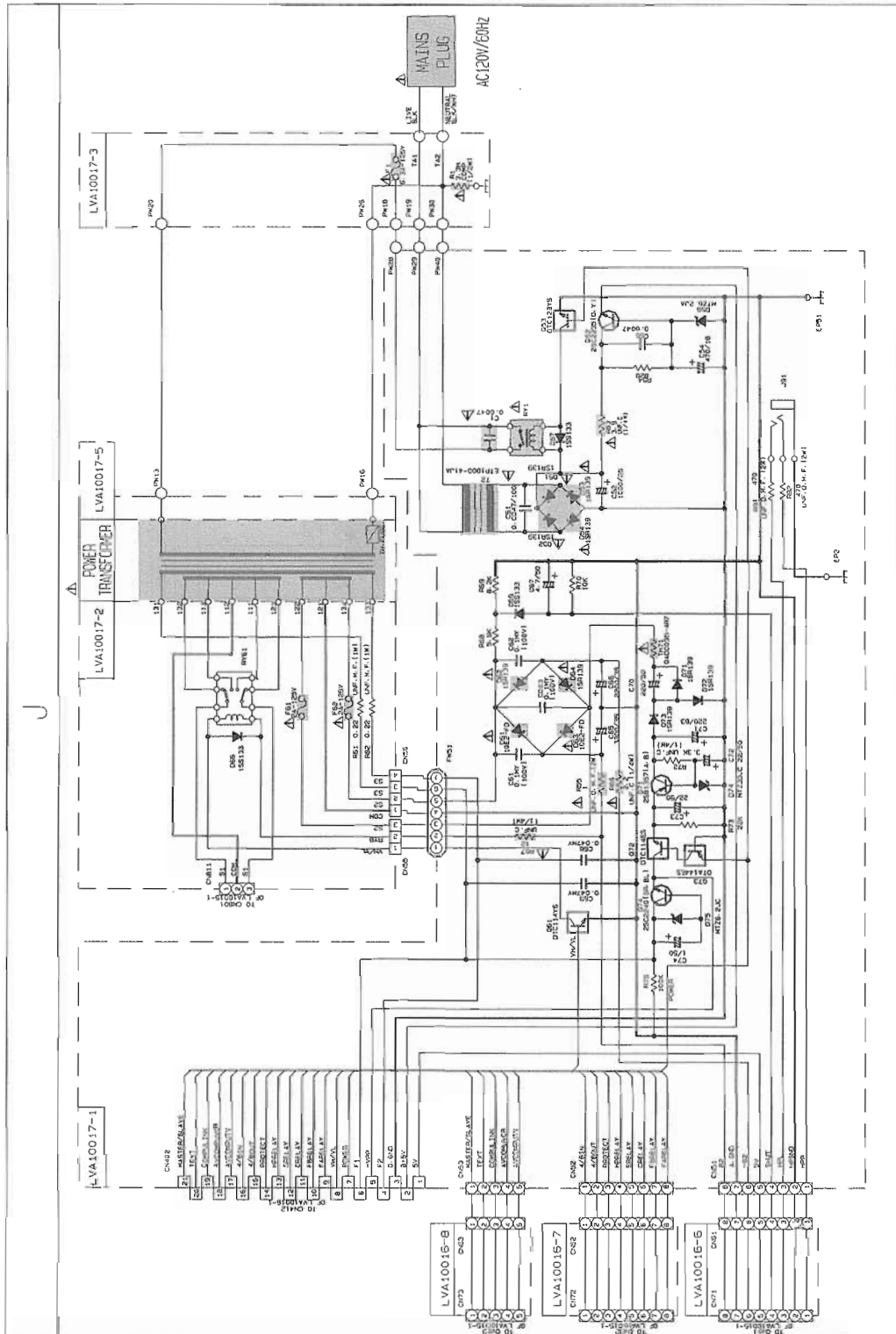
C

D

E

■ Power supply circuit (J version)

7
6
5
4
3
2
1



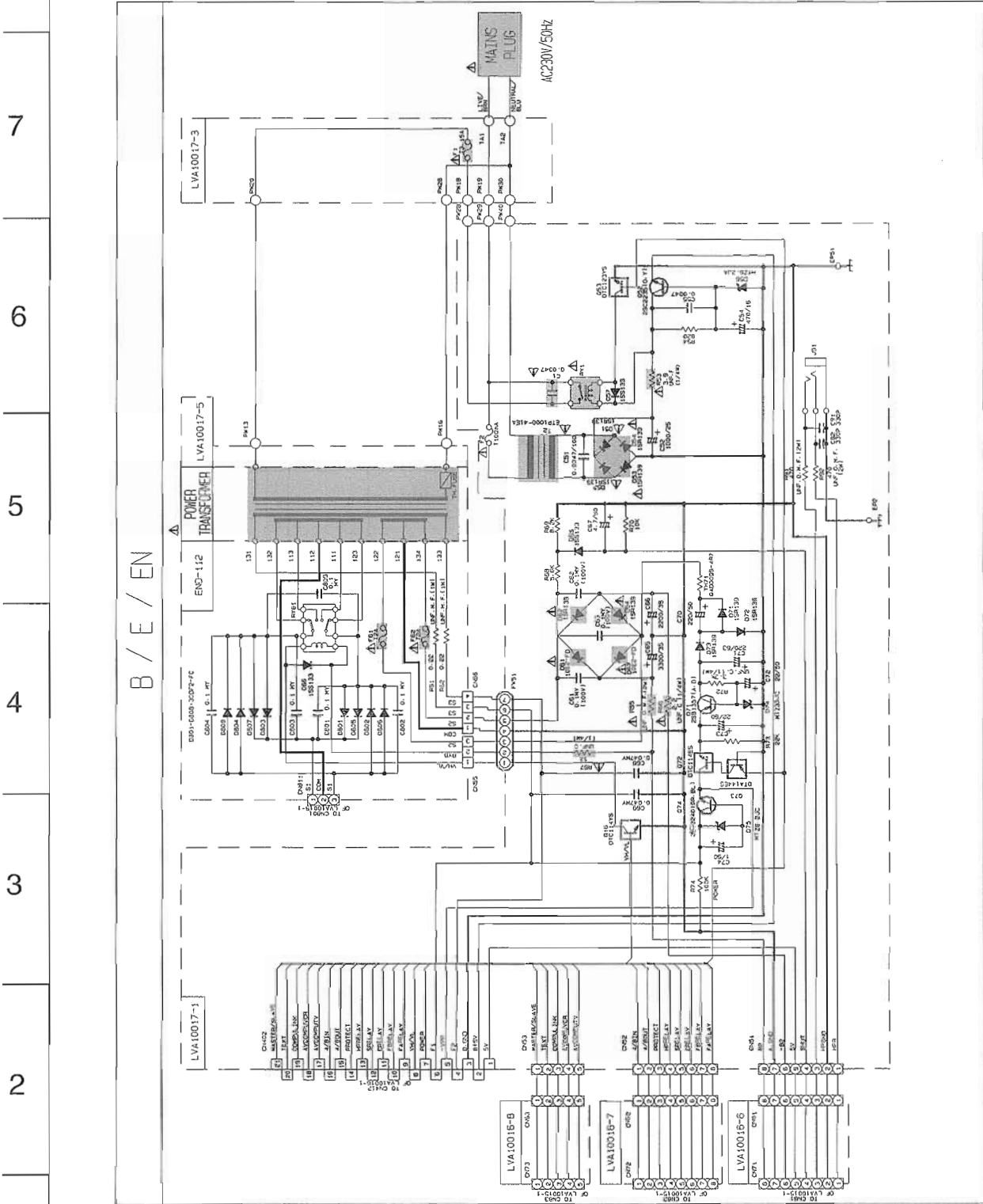
NOTES:
MARK(*) IS TO SHOW DEVIATION IN VERSIONS.
DETAILS ARE EXPLAINED NEAR THE MARK.

EXPLANATION OF OVERALL OF SCHEMA.
RX-888VBK/RX-888RBK/RX-888PBK/RX-888GD/RX-888PG

⚠ Parts are safety assurance parts.
When replacing those parts make
sure to use the specified one.

A B C D E

■ Power supply circuit (B/E/EN version)



NOTES:
 MARK(*) IS TO SHOW DEVIATION IN VERSIONS.
 DETAILS ARE EXPLAINED NEAR THE MARK.

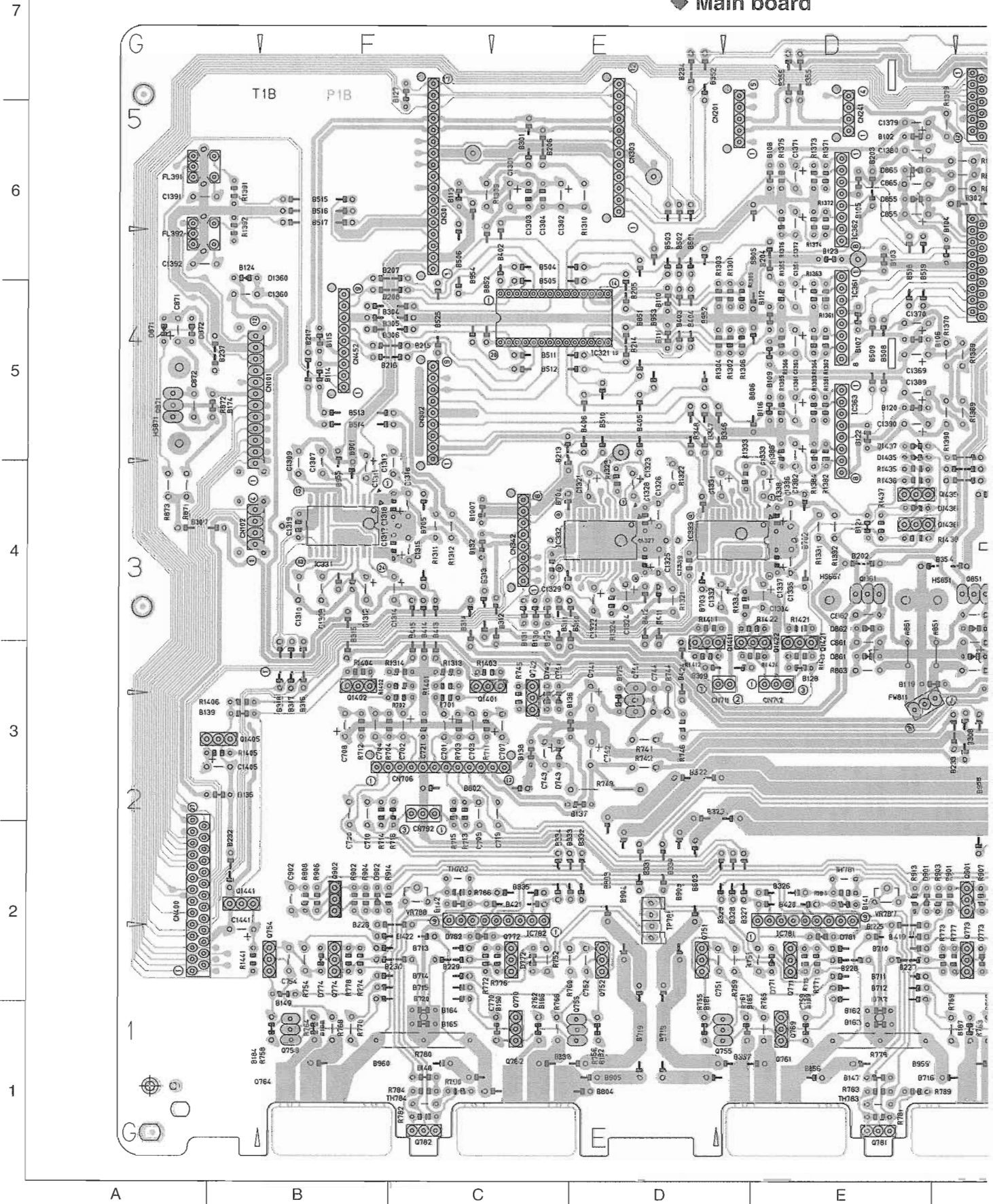
EXPLANATION OF OVERALL OF SCHEMA.
 RX-888VBK/RX-888RBK/RX-888VBK/RX-888RBK/RX-888VBK/RX-888RBK

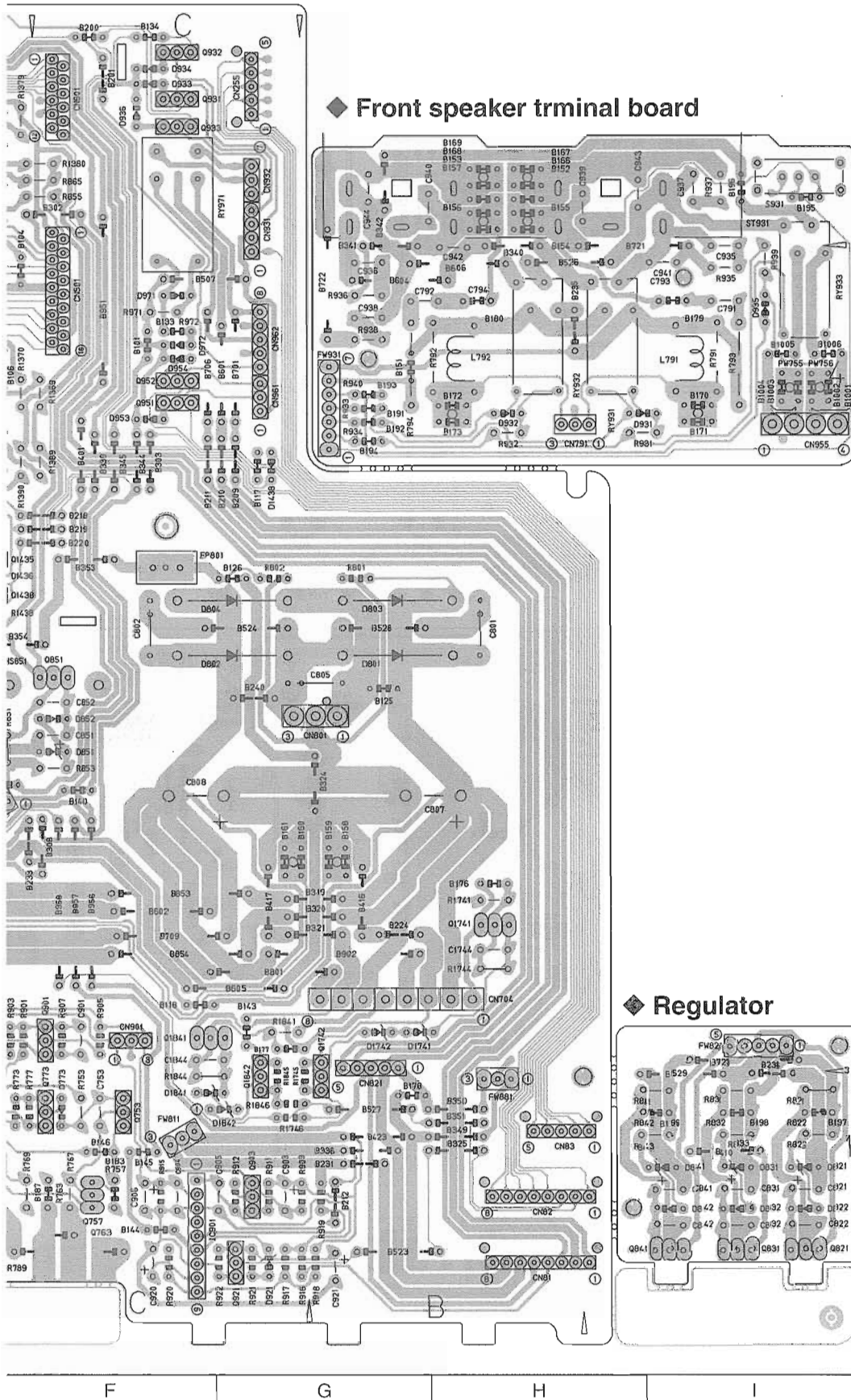
▲ Parts are safety assurance parts.
 When replacing those parts make
 sure to use the specified one.

Printed circuit boards

■ Main circuit board Block No. 0 1

◆ Main board





◆ Front speaker terminal board

◆ Regulator

■ Front circuit board Block No. 0 2

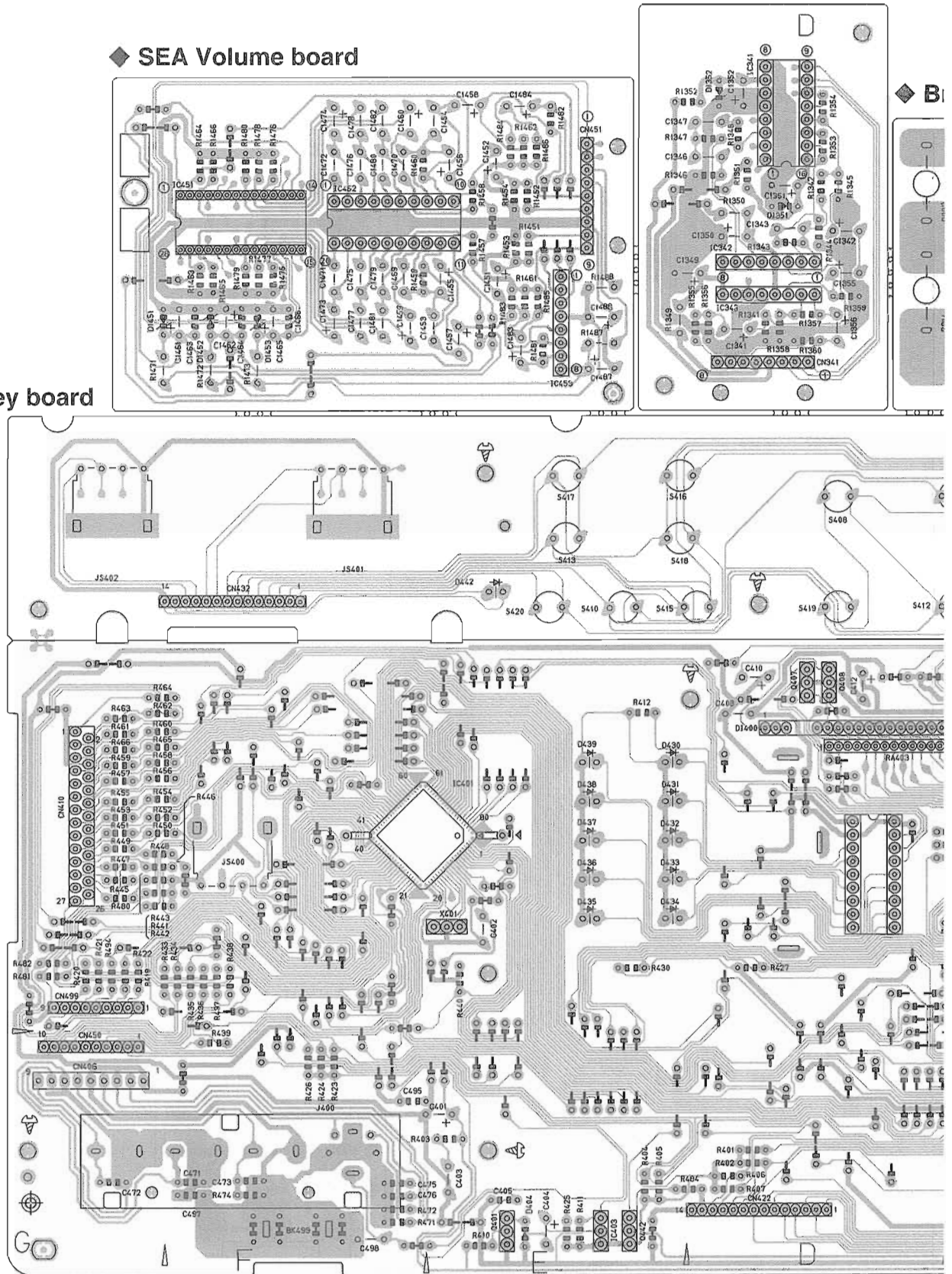
◆ Multiplexer board

◆ SEA Volume board

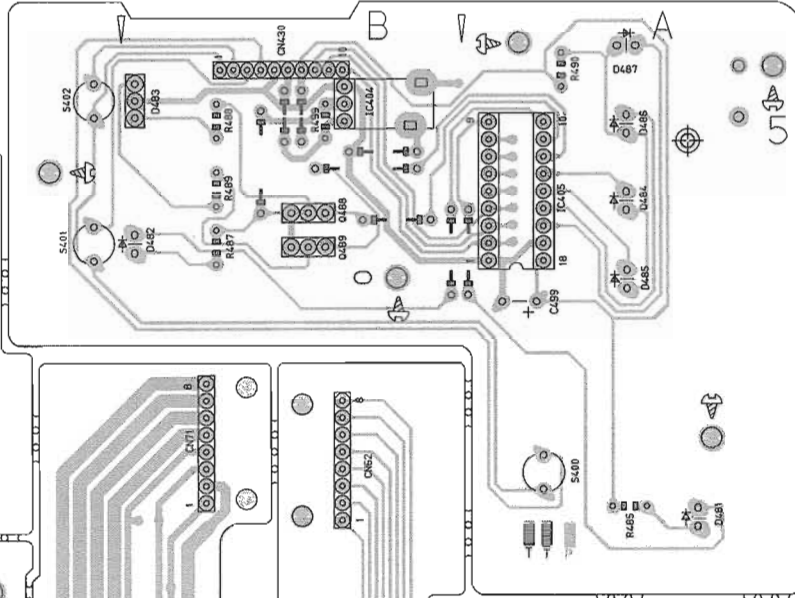
◆ Key board

◆ Front board

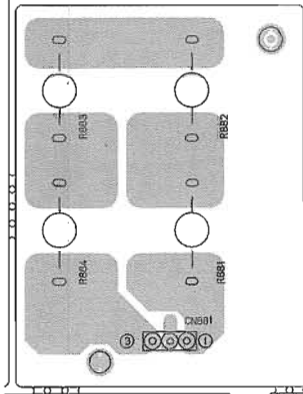
7
6
5
4
3
2
1



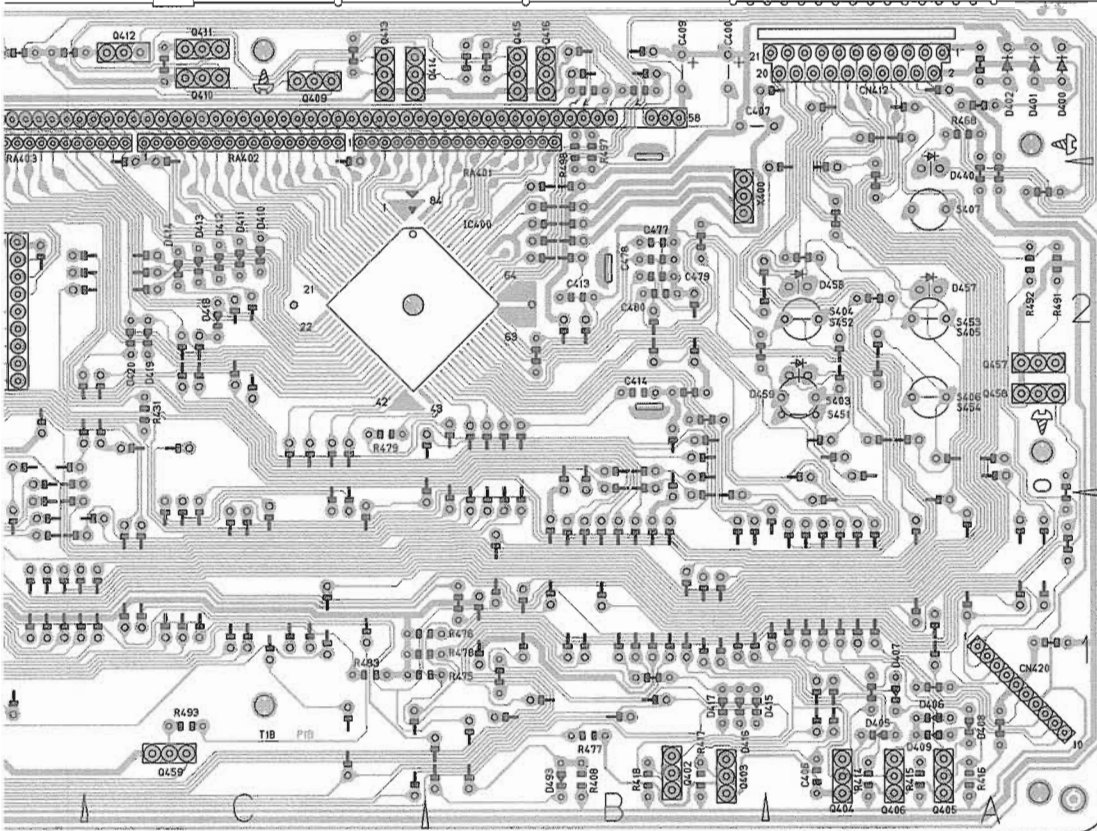
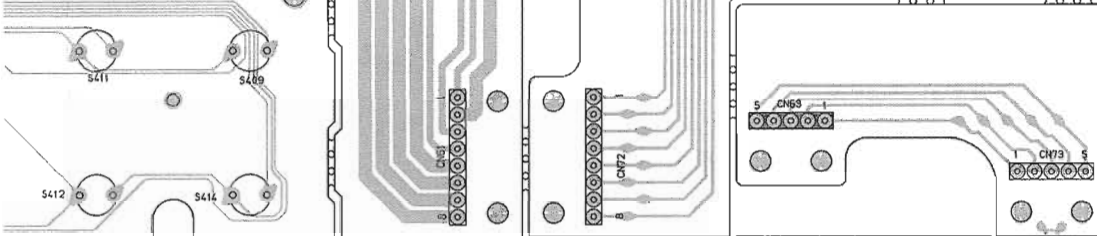
◆ Rremote sensor/Key switch board



◆ Breed board



◆ Connexion board



F

G

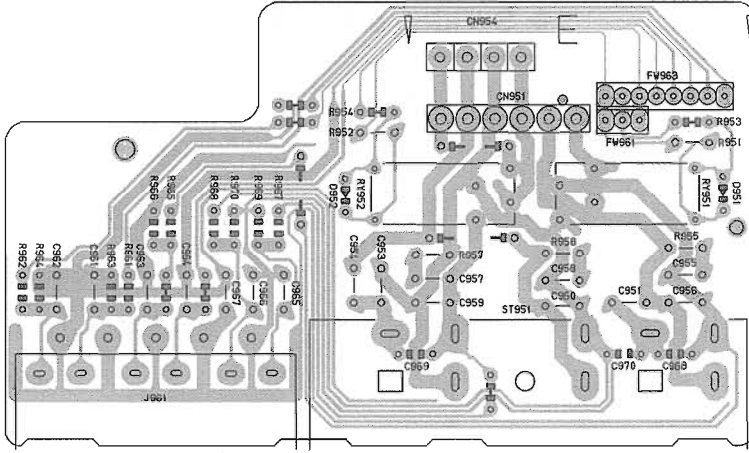
H

I

J

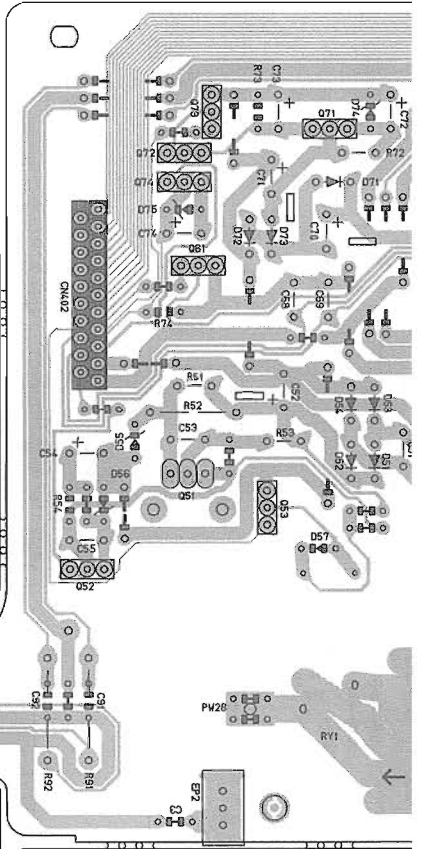
■ Surround circuit board Block No. 0 3

7



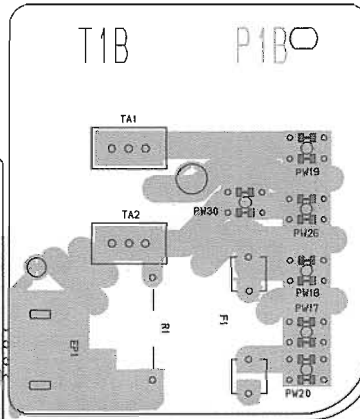
◆ Power sup

6



◆ Power In board

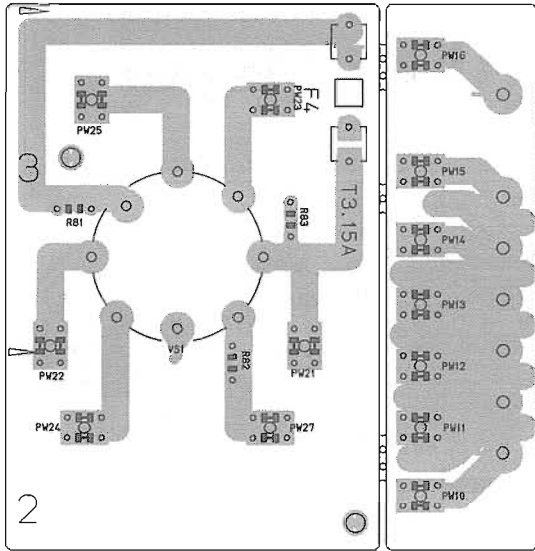
5



◆ P.T. board (1.st side)

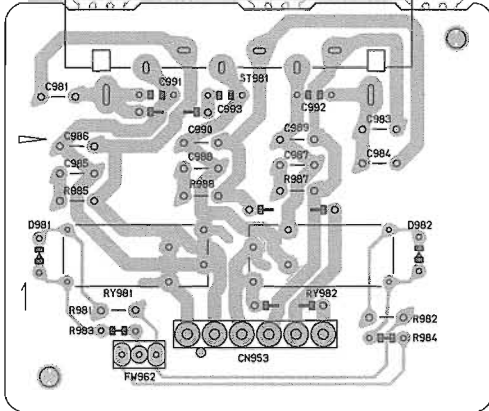
◆ V. Select board

4



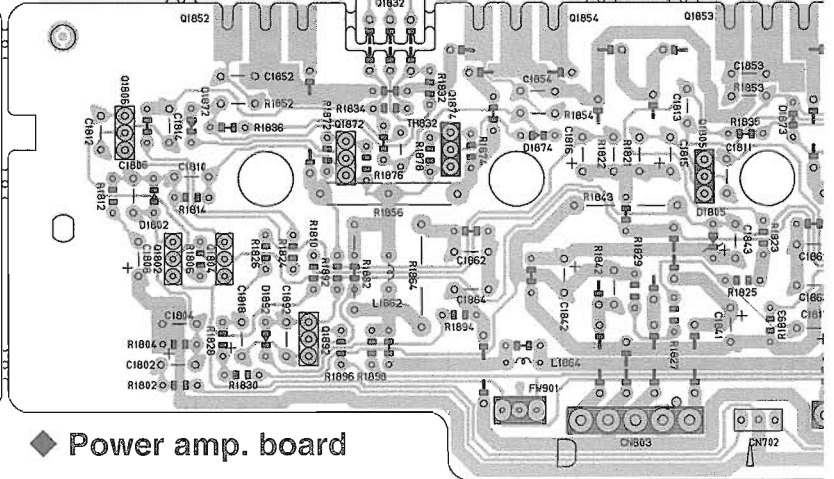
3

2



◆ Rear S.P.K board

1



◆ Power amp. board

A

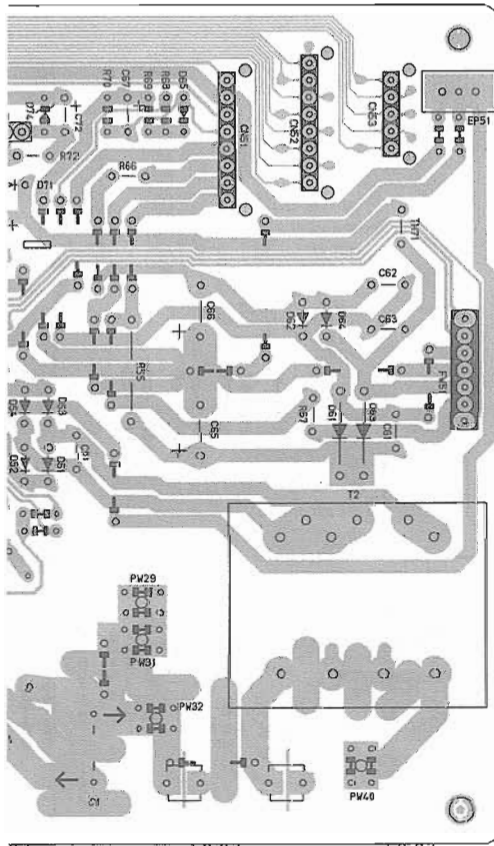
B

C

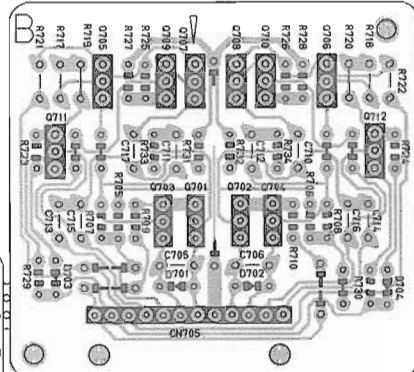
D

E

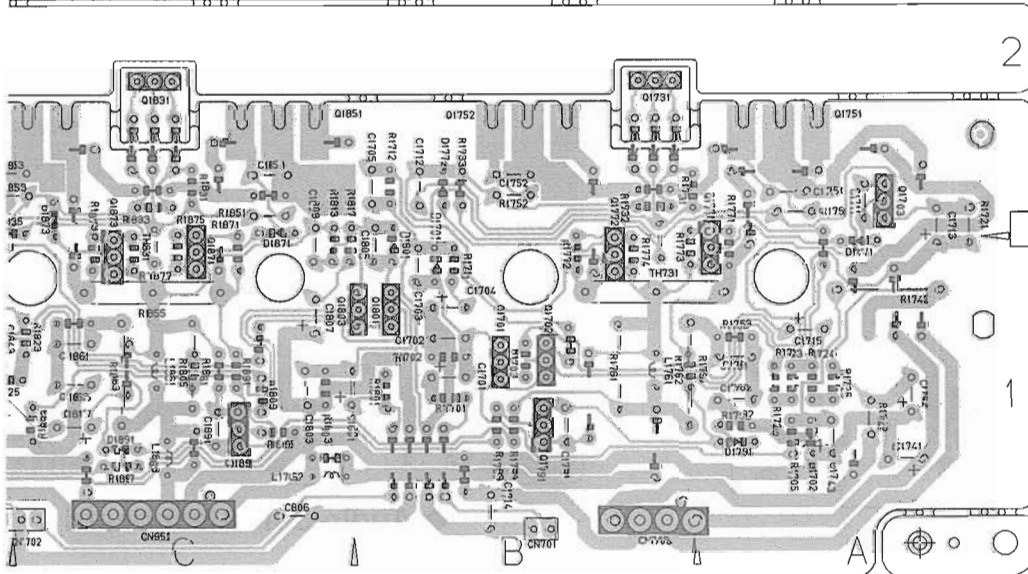
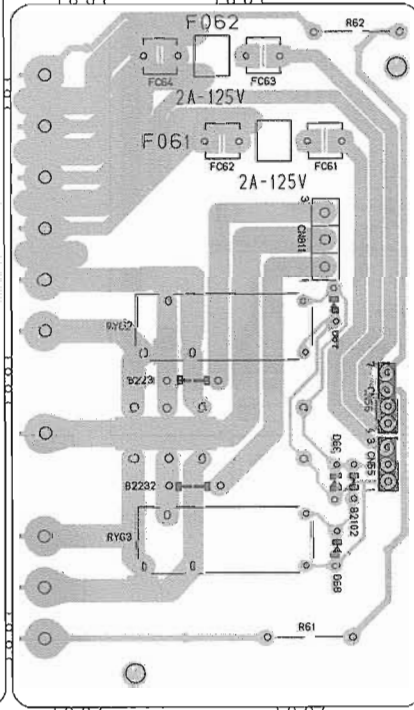
Power supply board



Signal amp. board



Power Trans. board (2nd side)

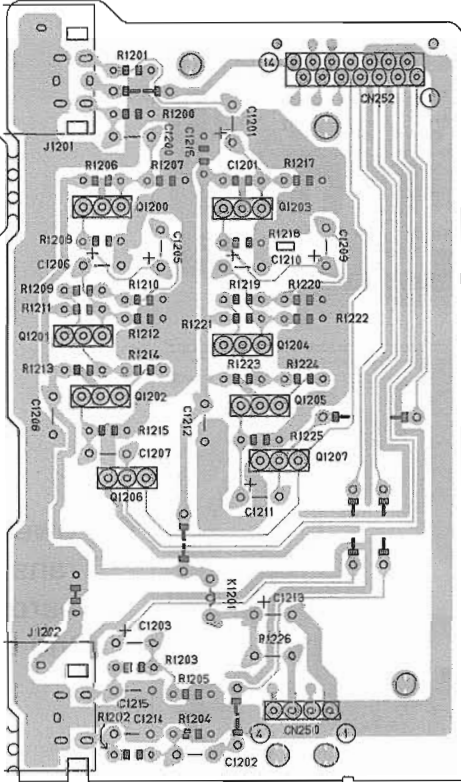
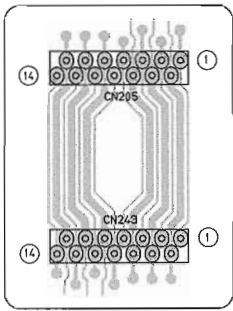


F G H I J

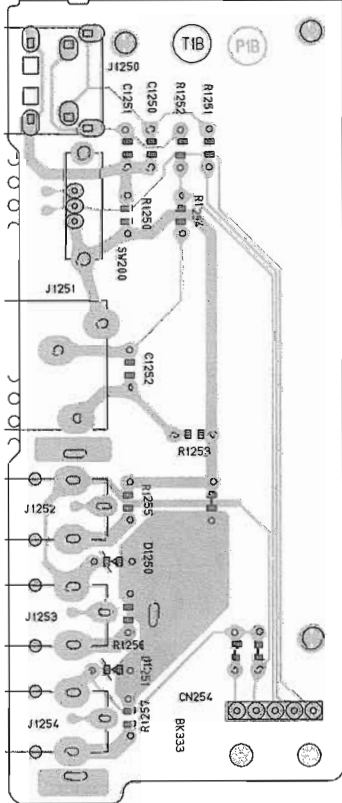
I/O circuit board Block No. 0 4

7
6
5
4
3
2
1

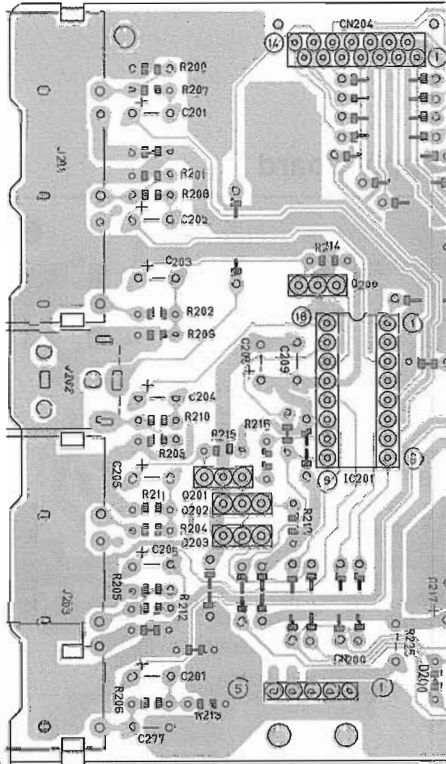
◆ Connection board



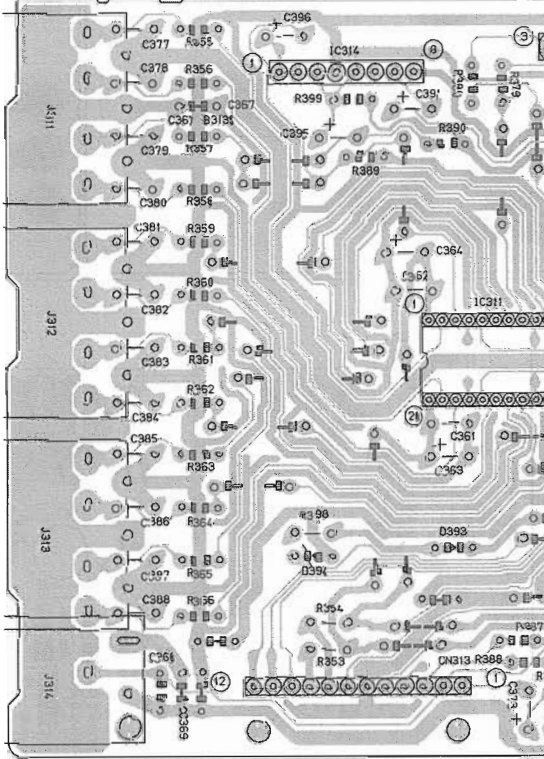
◆ Compulink board



◆ Video select board



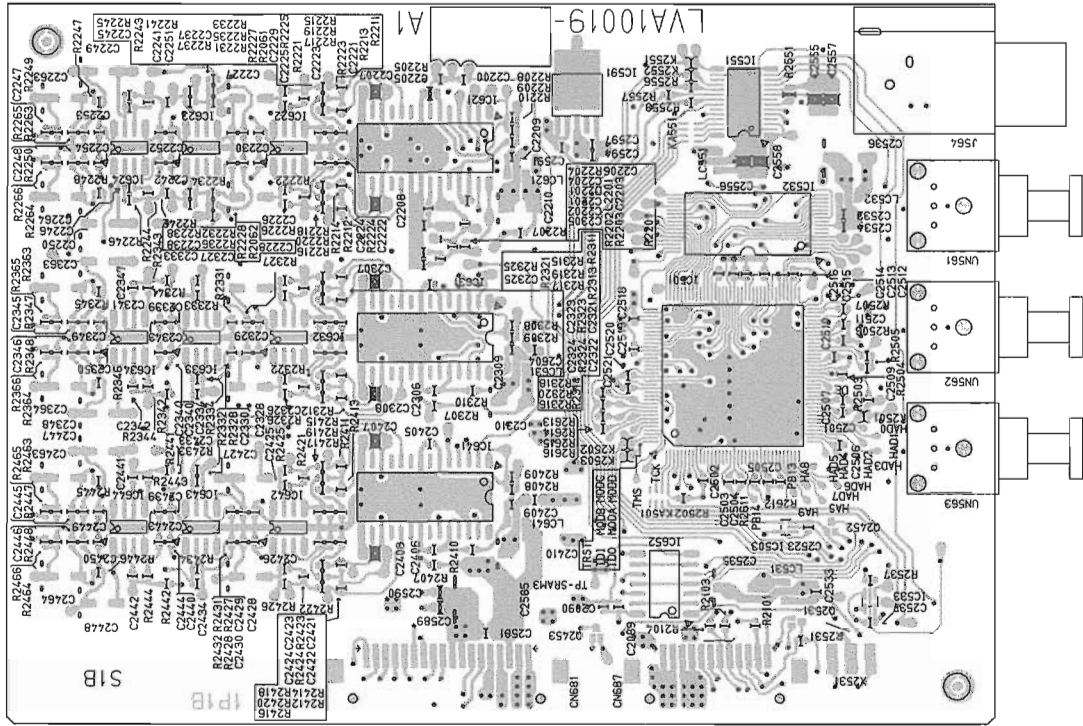
◆ Audio out select board



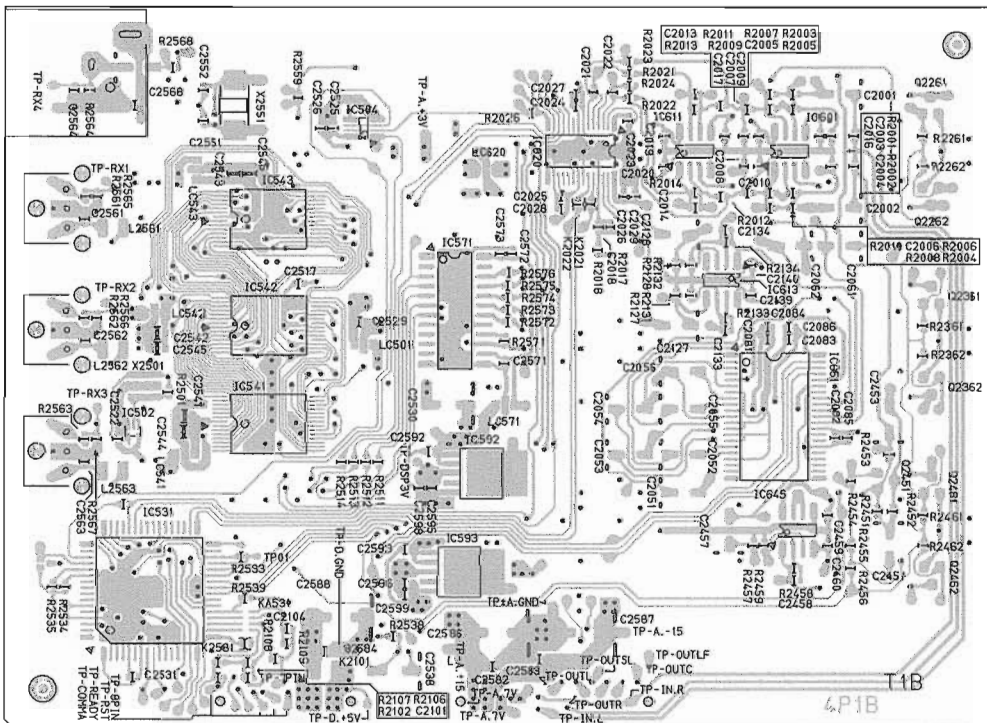
A B C D E

■ DSP circuit board Block No. 015

(bottom side)



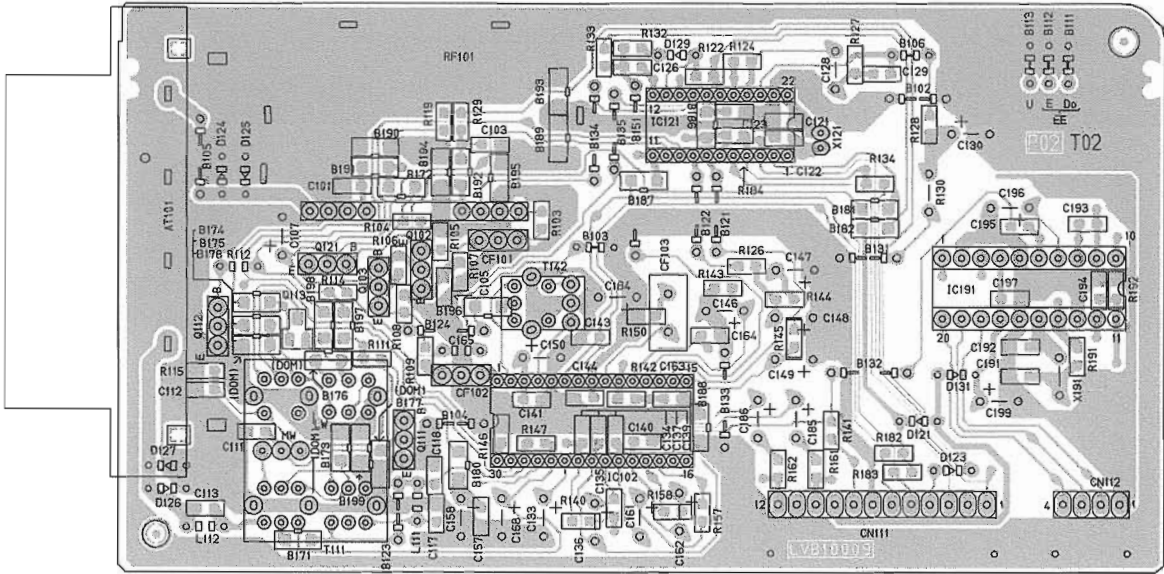
(surface side)



7
6
5
4
3
2
1

A B C D E

■ Tuner circuit board Block No. 06



F	G	H	I	J
---	---	---	---	---

— MEMO —

PARTS LIST

[**RX-888VBK**
RX-888RBK]

* All printed circuit boards and its assemblies are not available as service parts.

Areas Suffix	
RX-888VBK	
J -----	U.S.A.
C -----	Canada

Areas Suffix	
RX-888RBK	
B -----	U.K.
E -----	Continental Europe
EN -----	Northern Europe

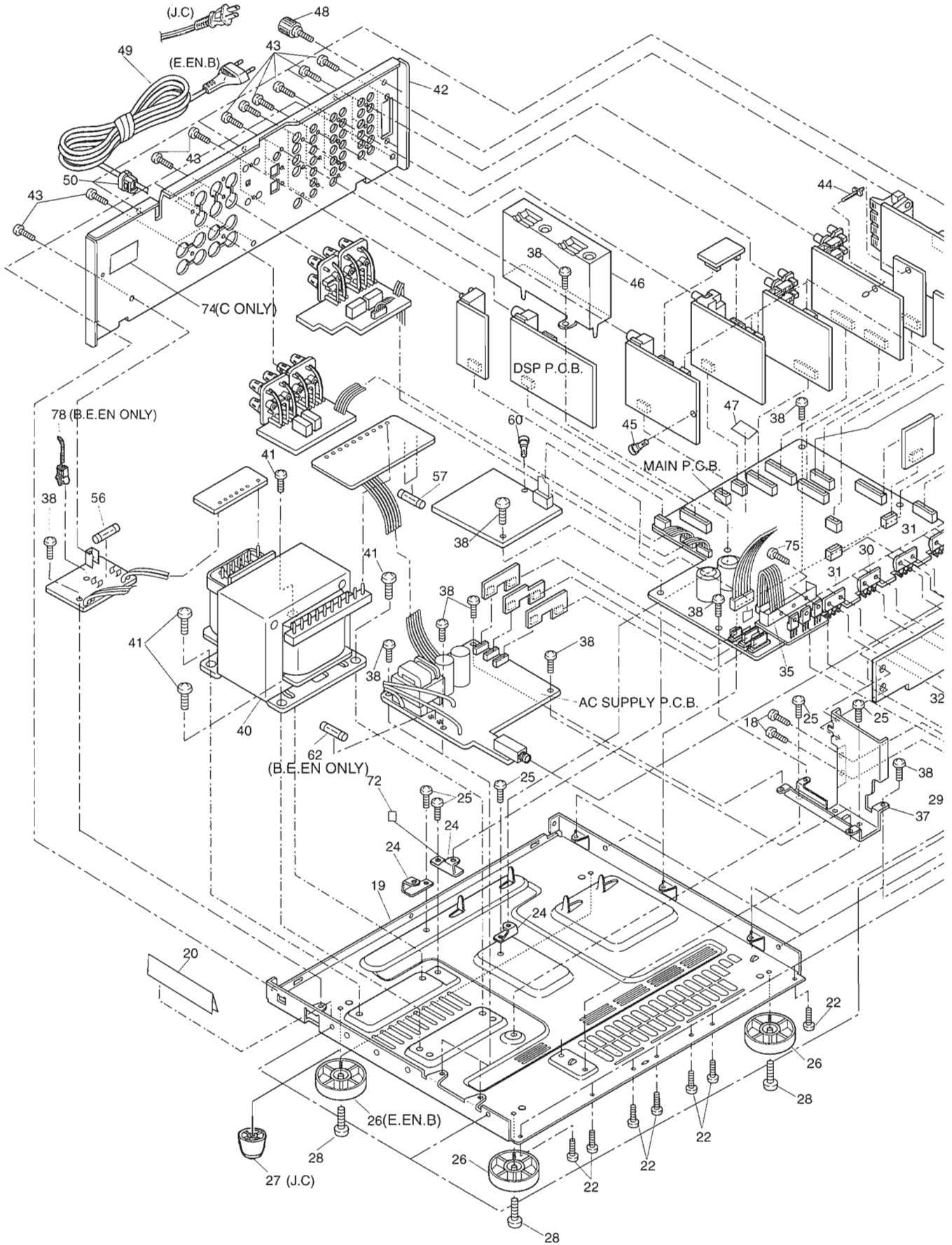
- Contents -

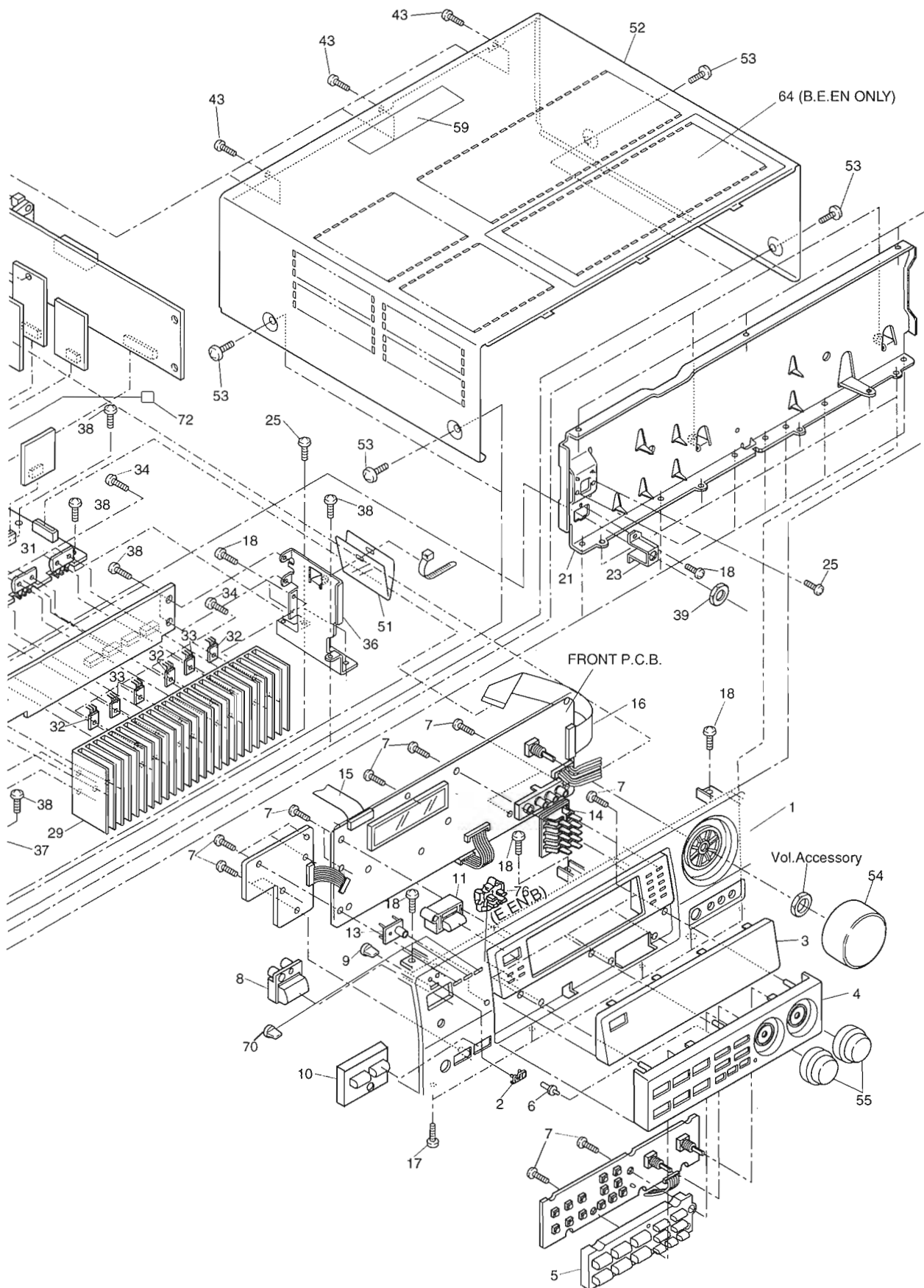
Exploded View of General Assembly and Parts List	3-3
Electrical Parts List	3-5
Packing Materials and Accessories Parts List	3-28

— MEMO —

General Exploded View and Parts List

Block No. **M 1 M M**





■ Parts List (General Assembly)

BLOCK NO.

REF.	PARTS NO.	PARTS NAME	REMARKS	QTY	SUFFIX	CLR
1	LV10018-016A	FRONT PANEL	RX-888RBK	1		
	LV10018-015A	FRONT PANEL	RX-888VBK	1		
2	VJD5429-001SS	JVC MARK		1		
3	LV20031-007A	LENS	RX-888VBK	1		
	LV20031-008A	LENS	RX-888RBK	1		
4	LV20032-005A	FRONT ESC		1		
5	LV20034-001A	PUSH BUTTON		1		
6	LV40099-001A	INDICATOR		1		
7	QYSDSF2608Z	SCREW		19		
8	LV30068-002A	P.BUTTON(POWER)	RX-888RBK	1		
	LV30068-001A	P.BUTTON(POWER)	RX-888VBK	1		
9	FSJD4001-002	INDICATOR	POWER	1		
10	LV30069-001A	P.BUTTON ASSY		1		
11	LV30071-001A	P.BUTTON ASSY	DOLBY	1		
13	E308744-002	REMOTE LENS		1		
14	LV30073-001A	SOURCE INDICATO		1		
15	QUQ412-2120CJ	FLAT WIRE ASSY		1		
16	QUQ412-2722CJ	FLAT WIRE ASSY		1		
17	QYSDSG3008M	SCREW	FRONT D	5		
18	QYSBSG3008E	T.SCREW	FRONT U	8		
19	LV10019-002A	CHASSIS BASE		1		
20	EX0150010H09S11	FELT SPACER	FOR C.BASE	1		
21	LV10020-001A	FRONT BRACKET		1		
22	QYSDSG3008E	T.SCREW	C.B-F.B	7		
23	LE40139-001A	H.P. BKT		1		
24	E68587-223SM	CB BKT		3		
25	QYSBST3006E	TAP.SCREW		9		
26	QZF6018-001	FOOT	RX-888RBK	4		
	QZF6018-001	FOOT	RX-888VBK	2		
27	E47227-036	FOOT	RX-888VBK ONLY	2		
28	QYSBST3010Z	TH TAP SCREW	FOOT	4		
29	LV30075-001A	HEAT SINK		1		
30	2SC3857/PY/-F1	TRANSISTOR	RX-888RBK	2		
	2SC3858/PG/-F1	TRANSISTOR	RX-888VBK	2		
31	2SA1494/PG/-F1	TRANSISTOR	RX-888VBK	2		
	2SA1493/PY/-F1	TRANSISTOR	RX-888RBK	2		
32	2SD2488/Z1/-F1	TRANSISTOR	RX-888VBK	3		
	2SD2390LD/OPY/	TRANSISTOR	RX-888RBK	3		
33	2SB1620/OP/-F1	TRANSISTOR	RX-888VBK	3		
	2SB1560LD/OPY/	TRANSISTOR	RX-888RBK	3		
34	E73525-003SS	SCREW		14		
35	LV40390-001A	LEAF SPRING		1		
36	LV20035-001A	H.S BRACKET(R)		1		
37	LV20036-001A	H.S BRACKET(L)		1		
38	QYSBSGG3008E	T.SCREW		17		
39	VKZ4150-001	SPECIAL NUT	H,P	1		
40	QQT0212-002	POWER TRANSF	RX-888RBK	1		
41	QQT0211-001	POWER TRANSF	RX-888VBK	1		
42	QYSDSTL4008E	SPECIAL SCREW	P.TRANS	4		
	LV10021-050A	REAR PANEL	RX-888VBK	1		
	LV10021-037A	REAR PANEL	RX-888RBK	1		
43	QYSBSGY3008E	SPECIAL SCREW		31		
44	E302321-001	FASTNER	SPACER	1		
45	E48729-008	PLASTIC RIVET	S VIDEO C.B	1		
46	LV20037-001A	SHIELD CASE		1		

Electrical Parts List

■ Main P.C.B.

BLOCK NO. 0111111111

A	REF.	PARTS NO.	PARTS NAME	REMARKS	SUFFIX
	C701	QET1HM-105Z	E CAPACITOR	10MF 20% 50V	
	C702	QET1HM-105Z	E CAPACITOR	10MF 20% 50V	
	C703	QCS11HJ-101	C CAPACITOR	100PF 5% 50V	
	C704	QCS11HJ-101	C CAPACITOR	100PF 5% 50V	
	C707	QET41CM-107	E CAPACITOR	100MF 20% 16V	
	C708	QET41CM-107	E CAPACITOR	100MF 20% 16V	
	C709	QCS11HJ-100	C CAPACITOR	10PF 5% 50V	
	C710	QCS11HJ-100	C CAPACITOR	10PF 5% 50V	
	C719	QFLC1HJ-472Z	M CAPACITOR	4700PF 5% 50V	
	C720	QFLC1HJ-472Z	M CAPACITOR	4700PF 5% 50V	
	C741	QET2AM-476Z	E CAPACITOR	47PF 20% 100V	
	C742	QET2AM-476Z	E CAPACITOR	47PF 20% 100V	
	C743	QET41EM-476	E CAPACITOR	47MF 20% 25V	
	C744	QCF31HZ-472Z	C CAPACITOR	RX-888VBK ONLY	
	C751	QCS32HJ-470Z	C CAPACITOR	47PF 5% 500V	
	C752	QCS32HJ-470Z	C CAPACITOR	47PF 5% 500V	
	C754	QCS32HJ-470Z	C CAPACITOR	47PF 5% 500V	
	C791	QFLC1HJ-223Z	M CAPACITOR	RX-888VBK J	
	C791	QFLC1HJ-473Z	M CAPACITOR	RX-888RBK	
	C791	QFLC1HJ-473Z	M CAPACITOR	RX-888VBK C	
	C792	QFLC1HJ-473Z	M CAPACITOR	RX-888RBK	
	C792	QFLC1HJ-473Z	M CAPACITOR	RX-888VBK C	
	C792	QFLC1HJ-223Z	M CAPACITOR	RX-888VBK J	
	C793	QFLC1HJ-473Z	M CAPACITOR	RX-888RBK	
	C793	QFLC1HJ-473Z	M CAPACITOR	RX-888VBK C	
	C794	QFLC1HJ-473Z	M CAPACITOR	RX-888RBK	
	C794	QFLC1HJ-473Z	M CAPACITOR	RX-888VBK C	
	C801	QFN82CK-104	C801	RX-888RBK ONLY	
	C801	QGE22HP-103	C CAPACITOR	RX-888VBK ONLY	
	C802	QGE22HP-103	C CAPACITOR	RX-888VBK ONLY	
	C802	QFN82CK-104	M CAPACITOR	RX-888RBK ONLY	
	C803	QFN82CK-104	M CAPACITOR	RX-888RBK ONLY	
	C804	QFN82CK-104	M CAPACITOR	RX-888RBK ONLY	
	C805	QFN82CK-104	M CAPACITOR	RX-888RBK ONLY	
	C805	QGE22HP-103	C CAPACITOR	RX-888VBK ONLY	
	C807	QEZ0356-129	E CAPACITOR	RX-888VBK	
	C807	QEZ0427-129	E CAPACITOR	RX-888VBK	
	C808	QEZ0427-129	E CAPACITOR	RX-888VBK	
	C808	QEZ0356-129	E CAPACITOR	RX-888VBK	
	C821	QENC1EM-107Z	E CAPACITOR	100MF 20% 25V	
	C822	QCF31HZ-472Z	E CAPACITOR	4700PF +80:-20%	
	C831	QENC1EM-107Z	E CAPACITOR	100MF 20% 25V	
	C832	QCF31HZ-472Z	E CAPACITOR	4700PF +80:-20%	
	C841	QENC1EM-107Z	E CAPACITOR	100MF 20% 25V	
	C842	QCF31HZ-472Z	E CAPACITOR	4700PF +80:-20%	
	C851	QENC1EM-107Z	E CAPACITOR	100MF 20% 25V	
	C852	QCF31HZ-472Z	E CAPACITOR	4700PF +80:-20%	
	C855	QET41EM-476	E CAPACITOR	47MF 20% 25V	
	C861	QENC1EM-107Z	E CAPACITOR	100MF 20% 25V	
	C862	QCF31HZ-472Z	E CAPACITOR	4700PF +80:-20%	
	C865	QET41EM-476	E CAPACITOR	47MF 20% 25V	
	C871	QENC1EM-107Z	E CAPACITOR	100MF 20% 25V	
	C872	QCF31HZ-472Z	E CAPACITOR	4700PF +80:-20%	
	C875	QETNOJM-477Z	E CAPACITOR	470MF 20% 6.3V	

BLOCK NO. 0111111111

A	REF.	PARTS NO.	PARTS NAME	REMARKS	SUFFIX
	C903	QER31HM-226Z	E CAPACITOR	22MF 20% 50V	
	C904	QCF11HZ-103	C CAPACITOR	.010MF +80:-20%	
	C905	QCB31HK-102Z	C CAPACITOR	1000PF 10% 50V	
	C906	QET41EM-476	E CAPACITOR	47MF 20% 25V	
	C920	QET41HM-226	E CAPACITOR	22MF 20% 50V	
	C921	QER31CM-107Z	E CAPACITOR	100MF 20% 16V	
	C935	QFLC1HJ-223Z	M CAPACITOR	RX-888RBK ONLY	
	C936	QFLC1HJ-223Z	M CAPACITOR	RX-888RBK ONLY	
	C937	QFLC1HJ-223Z	M CAPACITOR	RX-888RBK ONLY	
	C939	QFLC1HJ-223Z	M CAPACITOR	RX-888RBK ONLY	
	C940	QFLC1HJ-223Z	M CAPACITOR	RX-888RBK ONLY	
	C941	QCS31HJ-221Z	C CAPACITOR	RX-888RBK ONLY	
	C942	QCS31HJ-221Z	C CAPACITOR	RX-888RBK ONLY	
	C943	QCS31HJ-221Z	C CAPACITOR	RX-888RBK ONLY	
	C944	QCS31HJ-221Z	C CAPACITOR	RX-888RBK ONLY	
	D066	1SS133-12	DIODE	RX-888RBK ONLY	
	D741	MTJ10C-T2	Z DIODE I.M	RX-888VBK ONLY	
	D742	MTJ16C-T2	Z DIODE I.M	RX-888VBK ONLY	
	D743	MTJ18C-T2	Z DIODE I.M	RX-888VBK ONLY	
	D771	1SS133-12	DIODE		
	D772	1SS133-12	DIODE		
	D773	1SS133-12	DIODE		
	D774	1SS133-12	DIODE		
	D781	1SS133-12	DIODE		
	D782	1SS133-12	DIODE		
	D801	30DF2-FC	DIODE	RX-888VBK ONLY	
	D801	30DF2-FC	DIODE	RX-888RBK ONLY	
	D802	30DF2-FC	DIODE	RX-888VBK ONLY	
	D802	30DF2-FC	DIODE	RX-888RBK ONLY	
	D803	30DF2-FC	DIODE	RX-888VBK ONLY	
	D803	30DF2-FC	DIODE	RX-888RBK ONLY	
	D804	30DF2-FC	DIODE	RX-888VBK ONLY	
	D804	30DF2-FC	DIODE	RX-888RBK ONLY	
	D805	30DF2-FC	DIODE	RX-888VBK ONLY	
	D805	30DF2-FC	DIODE	RX-888RBK ONLY	
	D807	30DF2-FC	DIODE	RX-888VBK ONLY	
	D808	30DF2-FC	DIODE	RX-888RBK ONLY	
	D822	MTJ16.BC-T2	Z DIODE I/M	RX-888VBK ONLY	
	D831	MTJ16.2C-T2	ZENER DIODE		
	D832	1SS133-12	DIODE		
	D841	MTJ16.2C-T2	ZENER DIODE		
	D842	1SS133-12	DIODE		
	D851	MTJ15C-T2	Z DIODE		
	D852	1SS133-12	DIODE		
	D855	MTJ16.BC-T2	Z DIODE I/M		
	D861	MTJ15C-T2	Z DIODE		
	D862	1SS133-12	DIODE		
	D865	MTJ16.BC-T2	Z DIODE I/M		
	D871	MTJ10C-T2	Z DIODE I.M		
	D872	1SS133-12	DIODE		
	D901	1SS133-12	DIODE		
	D902	1SS133-12	DIODE		
	D921	MTJ14.7B-T2	Z DIODE I M		

BLOCK NO. 01111111

A	REF.	PARTS NO.	PARTS NAME	REMARKS	SUFFIX
	R744	GRK126J-103X	UNF.-C.RES. 1.M	RX-888VBK ONLY	
	R745	GRE141J-473Y	C RESISTOR	RX-888VBK ONLY	
	R746	GRE141J-103Y	C RESISTOR	RX-888VBK ONLY	
	R751	GRJ146J-100X	UNF.-C RESISTOR	10 5X 1/4W	
	R752	GRJ146J-100X	UNF.-C RESISTOR	10 5X 1/4W	
	R753	GRJ146J-100X	UNF.-C RESISTOR	10 5X 1/4W	
	R754	GRJ146J-100X	UNF.-C RESISTOR	10 5X 1/4W	
	R759	GRJ146J-272X	UNF.-C.RESISTOR	2.7K 5X 1/4W	
	R760	GRJ146J-272X	UNF.-C.RESISTOR	2.7K 5X 1/4W	
	R761	GRJ146J-4R7X	C RESISTOR	4.7 5X 1/4W	
	R762	GRJ146J-4R7X	C RESISTOR	4.7 5X 1/4W	
	R763	GRJ146J-4R7X	C RESISTOR	4.7 5X 1/4W	
	R764	GRJ146J-4R7X	C RESISTOR	4.7 5X 1/4W	
	R765	GRJ146J-120X	UNF.-C.RESISTOR	12 5X 1/4W	
	R766	GRJ146J-120X	UNF.-C.RESISTOR	12 5X 1/4W	
	R767	GRJ146J-120X	UNF.-C.RESISTOR	12 5X 1/4W	
	R768	GRJ146J-120X	UNF.-C.RESISTOR	12 5X 1/4W	
	R769	GRJ146J-271X	UNF C RESISTOR	270 5X 1/4W	
	R770	GRJ146J-271X	UNF C RESISTOR	270 5X 1/4W	
	R771	GRE141J-561Y	C RESISTOR	RX-888VBK	
	R772	GRE141J-391Y	C RESISTOR	RX-888RBK	
	R772	GRE141J-391Y	C RESISTOR	RX-888RBK	
	R773	GRE141J-561Y	C RESISTOR	RX-888VBK	
	R773	GRE141J-561Y	C RESISTOR	RX-888VBK	
	R773	GRE141J-391Y	C RESISTOR	RX-888RBK	
	R774	GRE141J-391Y	C RESISTOR	RX-888RBK	
	R774	GRE141J-561Y	C RESISTOR	RX-888VBK	
	R775	GRE141J-201Y	C.RESISTOR	200 5X 1/4W	
	R776	GRE141J-201Y	C.RESISTOR	200 5X 1/4W	
	R777	GRE141J-201Y	C.RESISTOR	200 5X 1/4W	
	R778	GRE141J-201Y	C.RESISTOR	200 5X 1/4W	
	R779	GRZ0197-R22	EMIT RESISTOR	1/1W	
	R780	GRZ0197-R22	EMIT RES.	1/1W	
	R781	GRE141J-391Y	C RESISTOR	390 5X 1/4W	
	R782	GRE141J-391Y	C RESISTOR	390 5X 1/4W	
	R783	GRE141J-471Y	C RESISTOR	470 5X 1/4W	
	R784	GRE141J-471Y	C RESISTOR	470 5X 1/4W	
	R785	GRE141J-101Y	C RESISTOR	100 5X 1/4W	
	R786	GRE141J-101Y	C RESISTOR	100 5X 1/4W	
	R791	GRJ125J-330	UNF.-C.RES.	33 5X 1/2W	
	R792	GRJ125J-330	UNF.-C.RES.	33 5X 1/2W	
	R793	GRLO22J-100	UNF.OMF.RES.	10 5X 1/2W	
	R794	GRLO22J-100	UNF.OMF.RES.	10 5X 1/2W	
	R801	GRE141J-104Y	C RESISTOR	100K 5X 1/4W	
	R802	GRE141J-104Y	C RESISTOR	100K 5X 1/4W	
	R823	GRJ146J-122X	UNF.-C.RES. I/M	1.2K 5X 1/4W	
	R833	GRJ146J-122X	UNF.-C.RES. I/M	1.2K 5X 1/4W	
	R843	GRJ146J-122X	UNF.-C.RES. I/M	1.2K 5X 1/4W	
	R851	GRK126J-120X	UNF.-C.RES. I-M	12 5X 1/2W	
	R853	GRJ146J-222X	UNF.-C.RES. I/M	2.2K 5X 1/4W	
	R855	GRZ9005-271K	F.RESISTOR	270 1/4W	
	R861	GRK126J-120X	UNF.-C.RES. I-M	12 5X 1/2W	
	R863	GRJ146J-222X	UNF.-C.RES. I/M	2.2K 5X 1/4W	
	R865	GRZ9005-271X	F.RES. I-M	270 1/4W	
	R871	GRJ146J-120X	UNF.-C.RES. I/M	12 5X 1/4W	

BLOCK NO. 01111111

A	REF.	PARTS NO.	PARTS NAME	REMARKS	SUFFIX
	D931	1SS133-T2	DIODE		
	D932	1SS133-T2	DIODE		
	D933	1SS133-T2	DIODE		
	D934	1SS133-T2	DIODE		
	D953	1SS133-T2	DIODE		
	D954	1SS133-T2	DIODE		
	D971	1SS133-T2	DIODE		
	D972	1SS133-T2	DIODE		
	L791	QGL2003-1R0	INDUCTOR		
	L792	QGL2003-1R0	INDUCTOR		
	Q741	2SD2061/EF/	TRANSISTOR	RX-888VBK ONLY	
	Q742	2SC2240/GL/-T	TRANSISTOR I/M	RX-888VBK ONLY	
	Q751	2SC2389S/S/-T	TRANSISTOR		
	Q752	2SC2389S/S/-T	TRANSISTOR		
	Q753	2SA1038S/S/-T	TRANSISTOR		
	Q754	2SA1038S/S/-T	TRANSISTOR		
	Q755	2SD669A/BC/	TRANSISTOR		
	Q756	2SD669A/BC/	TRANSISTOR		
	Q757	2SB649A/BC/	TRANSISTOR		
	Q758	2SB649A/BC/	TRANSISTOR		
	Q771	2SC2389S/SE/-T	TRANSISTOR		
	Q772	2SC2389S/SE/-T	TRANSISTOR		
	Q773	2SA1038S/SE/-T	TRANSISTOR		
	Q774	2SA1038S/SE/-T	TRANSISTOR		
	Q781	2SD637/GR/	TRANSISTOR		
	Q782	2SD637/GR/	TRANSISTOR		
	Q821	2SD2061/EF/	TRANSISTOR		
	Q831	2SD2061/EF/	TRANSISTOR		
	Q841	2SD2061/EF/	TRANSISTOR		
	Q851	2SD2061/EF/	TRANSISTOR		
	Q861	2SB1187/EF/	TRANSISTOR		
	Q871	2SD2061/EF/	TRANSISTOR		
	Q901	2SC2389S/SE/-T	TRANSISTOR		
	Q902	2SC2389S/SE/-T	TRANSISTOR		
	Q903	2SA1038S/SE/-T	TRANSISTOR		
	Q921	2SC17405/RS/-T	TRANSISTOR		
	Q931	DTC123YSA-T	D.TRANSISTOR		
	Q932	DTC123YSA-T	D.TRANSISTOR		
	Q951	DTC123YSA-T	D.TRANSISTOR		
	Q952	DTC123YSA-T	D.TRANSISTOR		
	R701	GRE141J-222Y	C RESISTOR	2.2K 5X 1/4W	
	R702	GRE141J-222Y	C RESISTOR	2.2K 5X 1/4W	
	R703	GRE141J-104Y	C RESISTOR	100K 5X 1/4W	
	R704	GRE141J-104Y	C RESISTOR	100K 5X 1/4W	
	R711	GRE141J-621Y	C RESISTOR	RX-888VBK	
	R711	GRE141J-911Y	C RESISTOR	RX-888RBK	
	R712	GRE141J-911Y	C RESISTOR	RX-888RBK	
	R712	GRE141J-621Y	C RESISTOR	RX-888VBK	
	R713	GRE141J-183Y	C RESISTOR	18K 5X 1/4W	
	R714	GRE141J-183Y	C RESISTOR	18K 5X 1/4W	
	R715	GRE141J-823Y	C RESISTOR	82K 5X 1/4W	
	R716	GRE141J-823Y	C RESISTOR	82K 5X 1/4W	
	R741	GRJ146J-120X	UNF.-C.RES. I/M	12 5X 1/4W	
	R742	GRJ146J-120X	UNF.-C.RES. I/M	12 5X 1/4W	
	R743	GRLO22J-562	UNF.OMF.RES.	5.6K 5X 1/2W	

BLOCK NO. 01111111

A	REF.	PARTS NO.	PARTS NAME	REMARKS	SUFFIX
	C1301	QET41EM-476	E CAPACITOR	47MF 20X 25V	
	C1302	QET41EM-476	E CAPACITOR	47MF 20X 25V	
	C1303	QDV81E2-223Y	C CAPACITOR		
	C1304	QDV81E2-223Y	C CAPACITOR		
	C1307	QFLC1HJ-821Z	M. CAPACITOR	820PF 5X 50V	
	C1308	QFLC1HJ-821Z	M. CAPACITOR	820PF 5X 50V	
	C1309	QFV41HJ-224	CAPACITOR	-22MF 5X 50V	
	C1310	QFV41HJ-224	CAPACITOR	-22MF 5X 50V	
	C1311	QET41EM-475	E CAPACITOR	4.7MF 20X 50V	
	C1312	QET41EM-475	E CAPACITOR	4.7MF 20X 50V	
	C1313	QET41EM-475	E CAPACITOR	4.7MF 20X 50V	
	C1314	QET41EM-475	E CAPACITOR	4.7MF 20X 50V	
	C1315	QET41EM-476	E CAPACITOR	47MF 20X 25V	
	C1316	QET41EM-476	E CAPACITOR	47MF 20X 25V	
	C1317	QDV81E2-223Y	C CAPACITOR		
	C1318	QDV81E2-223Y	C CAPACITOR		
	C1319	QCBB1HK-221Y	C CAPACITOR	220PF 10X 50V	
	C1321	QET41EM-475	E CAPACITOR	4.7MF 20X 50V	
	C1322	QET41EM-475	E CAPACITOR	4.7MF 20X 50V	
	C1323	QET41EM-475	E CAPACITOR	4.7MF 20X 50V	
	C1324	QET41EM-475	E CAPACITOR	4.7MF 20X 50V	
	C1325	QET41EM-476	E CAPACITOR	47MF 20X 25V	
	C1326	QET41EM-476	E CAPACITOR	47MF 20X 25V	
	C1327	QDV81E2-223Y	C CAPACITOR		
	C1328	QDV81E2-223Y	C CAPACITOR		
	C1329	QCBB1HK-221Y	C CAPACITOR	220PF 10X 50V	
	C1331	QET41EM-475	E CAPACITOR	4.7MF 20X 50V	
	C1332	QET41EM-475	E CAPACITOR	4.7MF 20X 50V	
	C1333	QET41EM-475	E CAPACITOR	4.7MF 20X 50V	
	C1334	QET41EM-475	E CAPACITOR	4.7MF 20X 50V	
	C1335	QET41EM-476	E CAPACITOR	47MF 20X 25V	
	C1336	QET41EM-476	E CAPACITOR	47MF 20X 25V	
	C1337	QDV81E2-223Y	C CAPACITOR		
	C1338	QDV81E2-223Y	C CAPACITOR		
	C1339	QCBB1HK-221Y	C CAPACITOR	220PF 10X 50V	
	C1361	QET41EM-105	E CAPACITOR	1.0MF 20X 50V	
	C1362	QET41EM-105	E CAPACITOR	1.0MF 20X 50V	
	C1369	QET41EM-476	E CAPACITOR	47MF 20X 25V	
	C1370	QET41EM-476	E CAPACITOR	47MF 20X 25V	
	C1371	QET41EM-105	E CAPACITOR	1.0MF 20X 50V	
	C1372	QET41EM-105	E CAPACITOR	1.0MF 20X 50V	
	C1379	QET41EM-476	E CAPACITOR	47MF 20X 25V	
	C1380	QET41EM-476	E CAPACITOR	47MF 20X 25V	
	C1381	QET41EM-105	E CAPACITOR	1.0MF 20X 50V	
	C1382	QET41EM-105	E CAPACITOR	1.0MF 20X 50V	
	C1389	QET41EM-476	E CAPACITOR	47MF 20X 25V	
	C1390	QET41EM-476	E CAPACITOR	47MF 20X 25V	
	C1391	QFLC1HJ-562Z	M CAPACITOR	5600PF 5X 50V	
	C1392	QFLC1HJ-562Z	M CAPACITOR	5600PF 5X 50V	
	C1405	QET41EM-226	E CAPACITOR	22MF 20X 16V	
	C1406	QEN41EM-106	NP E CAPACITOR	10MF 20X 50V	
	C1744	QCF31HZ-472Z	C CAPACITOR	RX-888VBK ONLY	
	C1844	QCF31HZ-472Z	C CAPACITOR	RX-888VBK ONLY	
	D1435	1SS133-T2	DIODE		
	D1436	1SS133-T2	DIODE		

BLOCK NO. 01111111

A	REF.	PARTS NO.	PARTS NAME	REMARKS	SUFFIX
	R875	QRJ146J-332X	UNF.C.RES. 1/M	3.3K 5X 1/4W	
	R875	QR29005-220X	F.RES. I.M	22 1/4W	
	R901	QR141J-272V	C RESISTOR	2.7K 5X 1/4W	
	R902	QR141J-272V	C RESISTOR	2.7K 5X 1/4W	
	R903	QR141J-153Y	C RESISTOR	15K 5X 1/4W	
	R904	QR141J-153Y	C RESISTOR	15K 5X 1/4W	
	R905	QR141J-123Y	C RESISTOR	12K 5X 1/4W	
	R906	QR141J-123Y	C RESISTOR	12K 5X 1/4W	
	R909	QR141J-103Y	C RESISTOR	10K 5X 1/4W	
	R911	QR141J-332Y	C RESISTOR	3.3K 5X 1/4W	
	R912	QR141J-473Y	C RESISTOR	47K 5X 1/4W	
	R913	QR141J-104Y	C RESISTOR	100K 5X 1/4W	
	R914	QR141J-823Y	C RESISTOR	82K 5X 1/4W	
	R915	QR141J-823Y	C RESISTOR	82K 5X 1/4W	
	R916	QR141J-563Y	C RESISTOR	56K 5X 1/4W	
	R917	QR141J-683Y	C RESISTOR	68K 5X 1/4W	
	R918	QR141J-822Y	C RESISTOR	8.2K 5X 1/4W	
	R919	QR141J-822Y	C RESISTOR	8.2K 5X 1/4W	
	R920	QR141J-224Y	C RESISTOR	220K 5X 1/4W	
	R921	QR141J-473Y	C RESISTOR	47K 5X 1/4W	
	R922	QR141J-222Y	C RESISTOR	2.2K 5X 1/4W	
	R931	QRJ146J-120X	UNF.C.RES. 1/M	12 5X 1/4W	
	R932	QRJ146J-120X	UNF.C.RES. 1/M	12 5X 1/4W	
	R935	QR29005-100X	F RESISTOR	RX-888RBK ONLY	
	R936	QR29005-100X	F RESISTOR	RX-888RBK ONLY	
	R937	QR29005-100X	F RESISTOR	RX-888RBK ONLY	
	R938	QR29005-100X	F RESISTOR	RX-888RBK ONLY	
	R971	QRJ146J-120X	UNF.C.RES. 1/M	12 5X 1/4W	
	S931	QSW0509-001	SLIDE SW.		
	CN B1	QGB2510J1-08	CONNECTOR		
	CN B2	QGB2510J1-08	CONNECTOR		
	CN B3	QGB2510J1-05	CONNECTOR		
	CN101	QGB2501J1-12	CONNECTOR		
	CN102	QGB2501J1-04	CONNECTOR		
	CN201	QGB2510J1-05	CONNECTOR		
	CN241	QGB2510J1-04	CONNECTOR		
	CN255	QGB2510J1-05	CONNECTOR		
	CN301	QGB2510J1-17	CONNECTOR		
	CN302	QGB2510J1-09	CONNECTOR		
	CN303	QGB2510J1-12	CONNECTOR		
	CN342	QGB2510J1-08	CONNECTOR		
	CN400	QGF1205C1-27	CONNECTOR		
	CN452	QGB2510J1-09	CONNECTOR		
	CN501	QGB1214J3-18S	CONNECTOR		
	CN601	QGB1214J3-12S	CONNECTOR		
	CN704	QGA3901C1-08	BP CONNECTOR		
	CN706	QGB2510J1-12	CONNECTOR		
	CN711	QGA2501C1-02	2P CONNECTOR		
	CN712	QGA2501C1-03	3P CONNECTOR		
	CN801	QJK012-032803	SKT WIRE ASSY		
	CN821	QGD2501C1-05Z	SOCKET I.M		
	CN901	QGD2501C1-03Z	SOCKET I.M		
	CN931	QGD2501C1-04Z	SOCKET I.M		
	CN932	QGD2501C1-03Z	SOCKET I.M		
	CN961	QGD2501C1-03Z	SOCKET I.M		

BLOCK NO. 01111111

REF.	PARTS NO.	PARTS NAME	REMARKS	SUFFIX
R1313	QR141J-104Y	C RESISTOR	100K 5% 1/4W	
R1314	QR141J-104Y	C RESISTOR	100K 5% 1/4W	
R1322	QR29005-680X	F RESISTOR	68 1/4W	
R1323	QR141J-104Y	C RESISTOR	100K 5% 1/4W	
R1324	QR141J-104Y	C RESISTOR	100K 5% 1/4W	
R1331	QR29005-680X	F RESISTOR	68 1/4W	
R1332	QR29005-680X	F RESISTOR	68 1/4W	
R1333	QR141J-104Y	C RESISTOR	100K 5% 1/4W	
R1334	QR141J-104Y	C RESISTOR	100K 5% 1/4W	
R1361	QR141J-103Y	C RESISTOR	10K 5% 1/4W	
R1362	QR141J-103Y	C RESISTOR	10K 5% 1/4W	
R1363	QR141J-103Y	C RESISTOR	10K 5% 1/4W	
R1364	QR141J-103Y	C RESISTOR	10K 5% 1/4W	
R1365	QR141J-104Y	C RESISTOR	100K 5% 1/4W	
R1366	QR141J-104Y	C RESISTOR	100K 5% 1/4W	
R1369	QR29005-680X	F RESISTOR	68 1/4W	
R1370	QR29005-680X	F RESISTOR	68 1/4W	
R1371	QR141J-103Y	C RESISTOR	10K 5% 1/4W	
R1372	QR141J-103Y	C RESISTOR	10K 5% 1/4W	
R1373	QR141J-103Y	C RESISTOR	10K 5% 1/4W	
R1374	QR141J-103Y	C RESISTOR	10K 5% 1/4W	
R1375	QR141J-104Y	C RESISTOR	100K 5% 1/4W	
R1376	QR141J-104Y	C RESISTOR	100K 5% 1/4W	
R1379	QR29005-680X	F RESISTOR	68 1/4W	
R1380	QR29005-680X	F RESISTOR	68 1/4W	
R1381	QR141J-103Y	C RESISTOR	10K 5% 1/4W	
R1382	QR141J-103Y	C RESISTOR	10K 5% 1/4W	
R1383	QR141J-103Y	C RESISTOR	10K 5% 1/4W	
R1384	QR141J-103Y	C RESISTOR	10K 5% 1/4W	
R1385	QR141J-104Y	C RESISTOR	100K 5% 1/4W	
R1386	QR141J-104Y	C RESISTOR	100K 5% 1/4W	
R1389	QR29005-680X	F RESISTOR	68 1/4W	
R1390	QR29005-680X	F RESISTOR	68 1/4W	
R1391	QR141J-472Y	C RESISTOR	4.7K 5% 1/4W	
R1392	QR141J-472Y	C RESISTOR	4.7K 5% 1/4W	
R1401	QR141J-102Y	C RESISTOR	1.0K 5% 1/4W	
R1402	QR141J-102Y	C RESISTOR	1.0K 5% 1/4W	
R1403	QR141J-103Y	C RESISTOR	10K 5% 1/4W	
R1404	QR141J-103Y	C RESISTOR	10K 5% 1/4W	
R1405	QR141J-102Y	C RESISTOR	1.0K 5% 1/4W	
R1406	QR141J-474Y	C RESISTOR	470K 5% 1/4W	
R1411	QR141J-102Y	C RESISTOR	1.0K 5% 1/4W	
R1412	QR141J-103Y	C RESISTOR	10K 5% 1/4W	
R1421	QR141J-102Y	C RESISTOR	1.0K 5% 1/4W	
R1422	QR141J-102Y	C RESISTOR	1.0K 5% 1/4W	
R1423	QR141J-103Y	C RESISTOR	10K 5% 1/4W	
R1424	QR141J-103Y	C RESISTOR	10K 5% 1/4W	
R1435	QR141J-683Y	C RESISTOR	68K 5% 1/4W	
R1436	QR141J-104Y	C RESISTOR	100K 5% 1/4W	
R1437	QR141J-474Y	C RESISTOR	470K 5% 1/4W	
R1438	QR141J-474Y	C RESISTOR	470K 5% 1/4W	
R1741	QRJ146J-221X	UNF C RES I/M	RX-888VBK	
R1741	QRJ146J-331X	C RESISTOR	RX-888RBK	
R1744	QRK126J-103X	UNF.C.RES. I.M	RX-888VBK ONLY	

BLOCK NO. 01111111

REF.	PARTS NO.	PARTS NAME	REMARKS	SUFFIX
D1437	MTZJ4-7B-T2	Z DIODE I M		
D1438	15S133-T2	DIODE		
D1741	MTZJ10C-T2	Z DIODE I.M	RX-888VBK ONLY	
D1742	MTZJ15C-T2	Z DIODE	RX-888VBK ONLY	
D1841	MTZJ10C-T2	Z DIODE I.M	RX-888VBK ONLY	
D1842	MTZJ15C-T2	Z DIODE	RX-888VBK ONLY	
EP801	QNZ0136-001Z	EARTH PLATE		
FL391	QGR0590-001	FILTER		
FL392	QGR0590-001	FILTER		
FWB11	QUM133-10ZLZ4	FLAT WIRE		
FWB21	QUM133-08DGZ4	ARA RIBON WIRE		
FWB81	QUM133-26DGZ4	FLAT WIRE		
FW931	QUM137-16DGZ4	PARA RIBON WIRE		
HL331	VYH7653-002	IC HOLDER		
HL332	VYH7653-002	IC HOLDER		
HL333	VYH7653-002	IC HOLDER		
HS851	E70306-001	HEAT SINK		
HS861	E70306-001	HEAT SINK		
HS871	E70306-001	HEAT SINK		
IC321	TC9162AN	IC		
IC331	TC9459F	IC		
IC332	TC9459F	IC		
IC333	TC9459F	IC		
IC361	NJM4580L	IC		
IC362	BA15218N	IC		
IC363	BA15218N	IC		
IC781	VC5022-2	IC		
IC782	VC5022-2	IC		
IC901	TA7317P	.IC		
PW391	QUB220-09HPMP	SIN TWIST WIRE		
Q1401	2SC2878/AB/-T	TRANSISTOR		
Q1402	2SC2878/AB/-T	TRANSISTOR		
Q1405	D7A144ESA-T	D-TRANSISTOR		
Q1411	2SC2878/AB/-T	TRANSISTOR		
Q1421	2SC2878/AB/-T	TRANSISTOR		
Q1422	2SC2878/AB/-T	TRANSISTOR		
Q1435	2SA933S/RS/-T	TRANSISTOR		
Q1438	DTA144ESA-T	D-TRANSISTOR		
Q1741	2SD2041/EF/	TRANSISTOR	RX-888VBK ONLY	
Q1742	2SC2240/GL/-T	TRANSISTOR I/M	RX-888VBK ONLY	
Q1841	2SD2061/EF/	TRANSISTOR	RX-888VBK ONLY	
Q1842	2SC2240/GL/-T	TRANSISTOR I/M	RX-888VBK ONLY	
RY931	QSK0042-001	RELAY		
RY932	QSK0042-001	RELAY		
RY971	QSK0057-001	RELAY		
R1301	QR141J-222Y	C RESISTOR	2.2K 5% 1/4W	
R1302	QR141J-222Y	C RESISTOR	2.2K 5% 1/4W	
R1303	QR141J-272Y	C RESISTOR	2.7K 5% 1/4W	
R1304	QR141J-272Y	C RESISTOR	2.7K 5% 1/4W	
R1305	QR141J-122Y	C RESISTOR	1.2K 5% 1/4W	
R1306	QR141J-122Y	C RESISTOR	1.2K 5% 1/4W	
R1309	QR29005-680X	F RESISTOR	68 1/4W	
R1310	QR29005-680X	F RESISTOR	68 1/4W	
R1311	QR29005-680X	F RESISTOR	68 1/4W	
R1312	QR29005-680X	F RESISTOR	68 1/4W	

■ Front P.C.B.

BLOCK NO. 02

REF.	PARTS NO.	PARTS NAME	REMARKS	SUFFIX
C400	QEK1HM-475Z	E CAPACITOR	4.7MF 20% 50V	
C401	QEKCOJM-107Z	E CAPACITOR	100MF 20% 6.3V	
C402	QCZ0202-155Z	ML C CAPACITOR	1.5MF	
C403	QEZ0329-10AZ	EDL CAPACITOR	PF	
C404	QER1HM-225	E CAPACITOR	2.2MF 20% 50V	
C405	QDV81E2-223Y	C CAPACITOR	330PF 10% 50V	
C406	QCB81HK-331Y	C CAPACITOR	1.5MF	
C407	QCZ0202-155Z	ML C CAPACITOR	.10MF 5% 50V	
C408	QFV41HJ-104	TF CAPACITOR	4.7MF 20% 50V	
C409	QEK1HM-475Z	E CAPACITOR	100MF 20% 6.3V	
C410	QEK1HM-475Z	E CAPACITOR		
C412	QEKCOJM-107Z	E CAPACITOR		
C413	QDY81CM-103Y	ABCAPACITOR		
C414	QDY81CM-103Y	ABCAPACITOR		
C477	QCB81HK-471Y	C CAPACITOR	470PF 10% 50V	
C478	QCB81HK-471Y	C CAPACITOR	470PF 10% 50V	
C479	QCB81HK-471Y	C CAPACITOR	470PF 10% 50V	
C480	QCB81HK-471Y	C CAPACITOR	470PF 10% 50V	
C493	QCB81HK-271Y	C CAPACITOR	270PF 10% 50V	
C494	QDV81E2-223Y	C CAPACITOR		
C495	QCF81H2-104Y	C CAPACITOR	.10MF +80% -20%	
C497	QDV81E2-223Y	C CAPACITOR	.10MF 5% 50V	
C498	QFV41HJ-104	TF CAPACITOR	100MF 20% 6.3V	
C499	QEKCOJM-107Z	E CAPACITOR		
D400	1SR139-200-T4	DIODE I.M		
D401	1SR139-200-T4	DIODE I.M		
D402	1SR139-200-T4	DIODE I.M		
D404	1SS133-T2	DIODE		
D405	1SS133-T2	DIODE		
D406	1SS133-T2	DIODE		
D407	1SS133-T2	DIODE		
D408	1SS133-T2	DIODE		
D409	1SS133-T2	DIODE		
D410	1SS133-T2	DIODE		
D411	1SS133-T2	DIODE		
D412	1SS133-T2	DIODE		
D413	1SS133-T2	DIODE		
D414	1SS133-T2	DIODE		
D415	1SS133-T2	DIODE		
D418	1SS133-T2	DIODE		
D419	1SS133-T2	DIODE		
D420	1SS133-T2	DIODE		
D430	SLR-342VG-T	LED I.M	(DVD)	
D431	SLR-342VG-T	LED I.M	(TV)	
D432	SLR-342VG-T	LED I.M	(VCR1)	
D433	SLR-342VG-T	LED I.M	(VCR2)	
D434	SLR-342VG-T	LED I.M	(VIDEO)	
D435	SLR-342VG-T	LED I.M	(AM)	
D436	SLR-342VG-T	LED I.M	(FM)	
D437	SLR-342VG-T	LED I.M	(TAPE)	
D438	SLR-342VG-T	LED I.M	(PHONE)	
D439	SLR-342VG-T	LED I.M	(CD)	
D440	SLR-342VG-T	LED I.M	(SURROUND)	
D442	SLR-342VG-T	LED I.M	(OTIO)	
D481	SLR-342VG-T	LED I.M	(STANDBY)	

BLOCK NO. 01

REF.	PARTS NO.	PARTS NAME	REMARKS	SUFFIX
R175	QR1141J-473Y	C RESISTOR	RX-888VBK ONLY	
R176	QR1141J-103Y	C RESISTOR	RX-888VBK ONLY	
R184	QRJ146J-221X	UNF C RES I/M	RX-888VBK	
R184	QRJ146J-221X	C RESISTOR	RX-888RBK	
R184	QRK126J-103X	UNF C-RES. I.M	RX-888VBK ONLY	
R185	QR1141J-473Y	C RESISTOR	RX-888VBK ONLY	
R186	QR1141J-103Y	C RESISTOR	RX-888VBK ONLY	
ST931	QNB0024-001	SPK. TERMINAL	RX-888RBK	
ST931	QNB0048-001	SPK. TERMINAL	RX-888VBK	
TH781	QAD0010-351	THERMISTOR		
TH782	QAD0010-351	THERMISTOR		
TP781	QNV5005-004K	4P PLUG ASSY		
VR787	QVP0004-501Z	V.RESISTOR		
VR788	QVP0004-501Z	V.RESISTOR		

BLOCK NO. 02

REF.	PARTS NO.	PARTS NAME	REMARKS	SUFFIX
R439	QRE141J-102Y	C RESISTOR	1.0K 5% 1/4W	
R440	QRE141J-474Y	C RESISTOR	470K 5% 1/4W	
R441	QRE141J-474Y	C RESISTOR	(PULLDOWN)	
R442	QRE141J-474Y	C RESISTOR	(PULLDOWN)	
R443	QRE141J-474Y	C RESISTOR	(PULLDOWN)	
R445	QRE141J-221Y	C RESISTOR	220 5% 1/4W	
R446	QRE141J-221Y	C RESISTOR	220 5% 1/4W	
R447	QRE141J-221Y	C RESISTOR	220 5% 1/4W	
R448	QRE141J-221Y	C RESISTOR	220 5% 1/4W	
R449	QRE141J-221Y	C RESISTOR	220 5% 1/4W	
R450	QRE141J-221Y	C RESISTOR	220 5% 1/4W	
R451	QRE141J-102Y	C RESISTOR	1.0K 5% 1/4W	
R452	QRE141J-102Y	C RESISTOR	1.0K 5% 1/4W	
R453	QRE141J-102Y	C RESISTOR	1.0K 5% 1/4W	
R454	QRE141J-102Y	C RESISTOR	1.0K 5% 1/4W	
R455	QRE141J-102Y	C RESISTOR	1.0K 5% 1/4W	
R456	QRE141J-102Y	C RESISTOR	1.0K 5% 1/4W	
R457	QRE141J-102Y	C RESISTOR	1.0K 5% 1/4W	
R458	QRE141J-102Y	C RESISTOR	1.0K 5% 1/4W	
R459	QRE141J-102Y	C RESISTOR	1.0K 5% 1/4W	
R460	QRE141J-221Y	C RESISTOR	220 5% 1/4W	
R461	QRE141J-221Y	C RESISTOR	220 5% 1/4W	
R462	QRE141J-102Y	C RESISTOR	1.0K 5% 1/4W	
R463	QRE141J-221Y	C RESISTOR	220 5% 1/4W	
R464	QRE141J-102Y	C RESISTOR	1.0K 5% 1/4W	
R465	QRE141J-102Y	C RESISTOR	1.0K 5% 1/4W	
R466	QRE141J-271Y	C RESISTOR	270 5% 1/4W	
R471	QRE141J-750Y	C RESISTOR	75 5% 1/4W	
R472	QRE141J-750Y	C RESISTOR	75 5% 1/4W	
R474	QRE141J-750Y	C RESISTOR	75 5% 1/4W	
R475	QRE141J-103Y	C RESISTOR	10K 5% 1/4W	
R476	QRE141J-103Y	C RESISTOR	10K 5% 1/4W	
R477	QRE141J-103Y	C RESISTOR	10K 5% 1/4W	
R478	QRE141J-103Y	C RESISTOR	10K 5% 1/4W	
R479	QRE141J-102Y	C RESISTOR	1.0K 5% 1/4W	
R483	QRE141J-473Y	C RESISTOR	47K 5% 1/4W	
R484	QRE141J-331Y	C RESISTOR	330 5% 1/4W	
R485	QRE141J-221Y	C RESISTOR	220 5% 1/4W	
R487	QRE141J-331Y	C RESISTOR	330 5% 1/4W	
R488	QRE141J-331Y	C RESISTOR	330 5% 1/4W	
R490	QRE141J-221Y	C RESISTOR	220 5% 1/4W	
R495	QRE141J-104Y	C RESISTOR	100K 5% 1/4W	
R496	QRE141J-104Y	C RESISTOR	100K 5% 1/4W	
R497	QRE141J-104Y	C RESISTOR	100K 5% 1/4W	
R498	QRE141J-104Y	C RESISTOR	100K 5% 1/4W	
R499	QRE141J-103Y	C RESISTOR	10K 5% 1/4W	
R881	QR20209-3R3	RESISTOR	3.3 1/2W	
R882	QR20209-3R3	RESISTOR	3.3 1/2W	
R883	QR20209-3R3	RESISTOR	3.3 1/2W	
R884	QR20209-3R3	RESISTOR	3.3 1/2W	
S400	QSW0683-001Z	PUSH SW I.M	(POWER)	
S401	QSW0683-001Z	PUSH SW I.M	(SPK1)	
S402	QSW0683-001Z	PUSH SW I.M	(SPK2)	
S403	QSW0683-001Z	PUSH SWITCH	RX-888RBK ONLY	

BLOCK NO. 02

REF.	PARTS NO.	PARTS NAME	REMARKS	SUFFIX
D482	SLR-342VC-T	LED I.M	(SPK1)	
D483	SPR-325MW/L/-T	LED	(SPK2)	
D484	SLR-342DC-T	LED I.M	(DTS)	
D486	SLR-342DC-T	LED I.M	(DOLBY)	
D487	SLR-342DC-T	LED I.M	(PCM)	
D493	1SS133-T2	DIODE		
J400	GN00026-001	S JACK		
Q401	DTC114YSA-T	D.TRANSISTOR		
Q402	DTC114YSA-T	D.TRANSISTOR		
Q403	DTC114WSA-T	DIGI TRANSISTOR		
Q404	DTC114YSA-T	D.TRANSISTOR	RX-888VBK ONLY	
Q405	DTC146ESA-T	D.TRANSISTOR	RX-888VBK ONLY	
Q406	DTC114YSA-T	D.TRANSISTOR	RX-888VBK ONLY	
Q407	DTC114YSA-T	D.TRANSISTOR		
Q408	DTC114YSA-T	D.TRANSISTOR		
Q409	DTC146ESA-T	D.TRANSISTOR		
Q410	DTC146ESA-T	D.TRANSISTOR		
Q411	DTC146ESA-T	D.TRANSISTOR		
Q412	DTC146ESA-T	D.TRANSISTOR		
Q413	DTA114YSA-T	D.TRANSISTOR		
Q414	DTA114YSA-T	D.TRANSISTOR		
Q415	DTA114YSA-T	D.TRANSISTOR		
Q416	DTA114YSA-T	D.TRANSISTOR		
Q442	DTA114YSA-T	D.TR I.M		
Q488	DTA114YSA-T	D.RESISTOR		
R400	GRE141J-103Y	C RESISTOR	10K 5% 1/4W	
R401	GRE141J-103Y	C RESISTOR	10K 5% 1/4W	
R402	GRE141J-103Y	C RESISTOR	10K 5% 1/4W	
R403	GRE141J-331Y	C RESISTOR	330 5% 1/4W	
R404	GRE141J-103Y	C RESISTOR	10K 5% 1/4W	
R405	GRE141J-103Y	C RESISTOR	10K 5% 1/4W	
R406	GRE141J-103Y	C RESISTOR	10K 5% 1/4W	
R407	GRE141J-103Y	C RESISTOR	10K 5% 1/4W	
R408	GRE141J-223Y	C RESISTOR	22K 5% 1/4W	
R410	GRE141J-223Y	C RESISTOR	22K 5% 1/4W	
R411	GRE141J-472Y	C RESISTOR	4.7K 5% 1/4W	
R412	GRE141J-181Y	C RESISTOR	180 5% 1/4W	
R414	GRE141J-103Y	C RESISTOR	10K 5% 1/4W	
R415	GRE141J-103Y	C RESISTOR	10K 5% 1/4W	
R416	GRE141J-103Y	C RESISTOR	RX-888VBK ONLY	
R417	GRE141J-103Y	C RESISTOR	RX-888VBK ONLY	
R418	GRE141J-471Y	C RESISTOR	470 5% 1/4W	
R423	GRE141J-103Y	C RESISTOR	10K 5% 1/4W	
R424	GRE141J-103Y	C RESISTOR	10K 5% 1/4W	
R425	GRE141J-103Y	C RESISTOR	10K 5% 1/4W	
R426	GRE141J-103Y	C RESISTOR	10K 5% 1/4W	
R427	GRE141J-103Y	C RESISTOR	10K 5% 1/4W	
R430	GRE141J-103Y	C RESISTOR	10K 5% 1/4W	
R431	GRE141J-103Y	C RESISTOR	10K 5% 1/4W	
R433	GRE141J-221Y	C RESISTOR	220 5% 1/4W	
R434	GRE141J-221Y	C RESISTOR	220 5% 1/4W	
R435	GRE141J-221Y	C RESISTOR	220 5% 1/4W	
R436	GRE141J-102Y	C RESISTOR	1.0K 5% 1/4W	
R437	GRE141J-102Y	C RESISTOR	1.0K 5% 1/4W	
R438	GRE141J-102Y	C RESISTOR	1.0K 5% 1/4W	

BLOCK NO. 02111111

REF.	PARTS NO.	PARTS NAME	REMARKS	SUFFIX
C1458	QER41HM-475	E CAPACITOR	4.7MF 20X 50V	
C1459	QER41HM-475	E CAPACITOR	4.7MF 20X 50V	
C1460	QER41HM-475	E CAPACITOR	4.7MF 20X 50V	
C1461	QET41EM-476	E CAPACITOR	4.7MF 20X 25V	
C1462	QET41EM-476	E CAPACITOR	4.7MF 20X 25V	
C1463	QDVBIEZ-223Y	C CAPACITOR	4.7MF 20X 25V	
C1464	QDVBIEZ-223Y	C CAPACITOR	4.7PF 5X 50V	
C1465	QET41EM-476	C CAPACITOR	4.7PF 5X 50V	
C1469	QCS11HJ-470	C CAPACITOR	4.7PF 5X 50V	
C1470	QCS11HJ-470	C CAPACITOR	4.7PF 5X 50V	
C1471	QFV41HJ-333	CAPACITOR	.033MF 5X 50V	
C1472	QFV41HJ-333	CAPACITOR	.033MF 5X 50V	
C1473	QER41HM-105	E CAPACITOR	1.0MF 20X 50V	
C1474	QER41HM-105	E CAPACITOR	1.0MF 20X 50V	
C1475	QFLC1HJ-332Z	M CAPACITOR	3300PF 5X 50V	
C1476	QFLC1HJ-332Z	M CAPACITOR	3300PF 5X 50V	
C1477	QFV41HJ-104	TF CAPACITOR	1.0MF 5X 50V	
C1478	QFV41HJ-104	TF CAPACITOR	1.0MF 5X 50V	
C1479	QCS11HJ-331	C CAPACITOR	330PF 5X 50V	
C1480	QCS11HJ-331	C CAPACITOR	330PF 5X 50V	
C1481	QFV41HJ-103	TF CAPACITOR	.010MF 5X 50V	
C1482	QFV41HJ-103	TF CAPACITOR	.010MF 5X 50V	
C1483	QER41HM-475	E CAPACITOR	4.7MF 20X 50V	
C1484	QER41HM-475	E CAPACITOR	4.7MF 20X 50V	
C1487	QET41EM-476	E CAPACITOR	4.7MF 20X 25V	
C1488	QET41EM-476	E CAPACITOR	4.7MF 20X 25V	
D1400	QLFO042-001	FL TUBE		
D1351	MT2J5-1C-T2	ZENER DIODE		
D1352	MT2J5-1C-T2	ZENER DIODE		
D1451	MT2J6-8C-T2	Z DIODE I/M		
D1452	MT2J6-8C-T2	Z DIODE I/M		
D1453	MT2J5-1C-T2	ZENER DIODE		
FS400	E3400-444	FELT SPACER		
FS401	E3400-444	FELT SPACER		
HL400	VYH7653-001	IC HOLDER		
HL401	VYH7237-003	IC HOLDER		
IC341	BU4051BC	IC		
IC342	BA15218N	IC		
IC343	BA15218N	IC		
IC400	MN17412JABZ	IC		
IC401	MN101C15FBC	IC	(M.P.)	
IC402	BU2092	IC		
IC403	IC-PST600/E/-T	IC I.M		
IC404	GPU1271X	RM RECIVER		
IC405	BU2092	IC		
IC451	LC7532	IC		
IC452	M5243AP12	IC		
IC453	BA15218N	IC		
JS400	QSW0502-001	SW		
JS401	QSW0672-001	ROTARY ENCODER	(MULTI)	
JS402	QSW0672-001	ROTARY ENCODER	(SOURCE)	
R1341	QRE141J-104Y	C RESISTOR	100K 5X 1/4W	
R1342	QRE141J-103Y	C RESISTOR	10K 5X 1/4W	
R1343	QRE141J-103Y	C RESISTOR	10K 5X 1/4W	
R1344	QRE141J-203Y	C RESISTOR	20K 5X 1/4W	

BLOCK NO. 02111111

REF.	PARTS NO.	PARTS NAME	REMARKS	SUFFIX
S404	QSW0683-001Z	PUSH SWITCH	RX-888RBK ONLY	
S405	QSW0683-001Z	PUSH SWITCH	RX-888RBK ONLY	
S406	QSW0683-001Z	PUSH SWITCH	RX-888RBK ONLY	
S407	QSW0683-001Z	PUSH SW I.M	(SURROUND)	
S408	QSW0683-001Z	PUSH SWITCH	(DIGITAL)	
S409	QSW0683-001Z	PUSH SWITCH	(DSP MODE)	
S410	QSW0683-001Z	PUSH SWITCH	(CLOUDNESS)	
S411	QSW0683-001Z	PUSH SWITCH	(SEA MODE)	
S412	QSW0683-001Z	PUSH SWITCH	(SEA ADJ)	
S413	QSW0683-001Z	PUSH SWITCH	(FM MODE)	
S414	QSW0683-001Z	PUSH SWITCH	(ADJUST)	
S415	QSW0683-001Z	PUSH SWITCH	(S. SELECT)	
S416	QSW0683-001Z	PUSH SWITCH	(TUNING)	
S417	QSW0683-001Z	PUSH SWITCH	(PRESET)	
S418	QSW0683-001Z	PUSH SWITCH	(MEMORY)	
S419	QSW0683-001Z	PUSH SWITCH	(SETTING)	
S420	QSW0683-001Z	PUSH SWITCH	(COTO)	
X400	QAX0112-001Z	RESONATOR I.M		
X401	QAX0246-001Z	RESONATOR I.M		
BK499	E70225-003SS	EARTH PLAT		
CN 61	QGB2510K1-08	CONNECTOR		
CN 62	QGB2510K1-08	CONNECTOR		
CN 63	QGB2510K1-05	CONNECTOR		
CN 71	QGB2510K1-08	CONNECTOR		
CN 72	QGB2510K1-08	CONNECTOR		
CN 73	QGB2510K1-05	CONNECTOR		
CN341	QGB2510K1-08	CONNECTOR		
CN406	WJ90003-001A	SKT WIRE ASSY	(VIDEO)	
CN410	QGF1205F1-27	CONNECTOR		
CN412	QGF1210G1-21	CONNECTOR		
CN420	QJB002-100800	SKT WIRE	(LEFT)	
CN422	QGA2001F1-14	14P PLUG ASSY		
CN430	QGA2001F1-10	10P PLUG ASSY		
CN432	QJB002-140804	SKT WIRE ASSY		
CN450	QJB001-104000	10PIN SKT WIR		
CN451	QGB2510K1-09	CONNECTOR	(VIDEO)	
CN881	QGD2501C1-03Z	SOCKET I.M		
C1341	QET41HM-475	E CAPACITOR	4.7MF 20X 50V	
C1342	QET41HM-475	E CAPACITOR	4.7MF 20X 50V	
C1343	QCS11HJ-101	C CAPACITOR	100PF 5X 50V	
C1346	QFLC1HJ-103Z	M CAPACITOR	.010MF 5X 50V	
C1347	QFLC1HJ-123Z	M CAPACITOR	.012MF 5X 50V	
C1349	QET41EM-476	E CAPACITOR	4.7MF 20X 25V	
C1350	QET41EM-476	E CAPACITOR	4.7MF 20X 25V	
C1351	QET41EM-476	E CAPACITOR	4.7MF 20X 25V	
C1352	QET41EM-476	E CAPACITOR	4.7MF 20X 25V	
C1355	QET41HM-475	E CAPACITOR	4.7MF 20X 50V	
C1356	QET41HM-475	E CAPACITOR	4.7MF 20X 50V	
C1451	QER41HM-475	E CAPACITOR	4.7MF 20X 50V	
C1452	QER41HM-475	E CAPACITOR	4.7MF 20X 50V	
C1453	QCS11HJ-101	C CAPACITOR	100PF 5X 50V	
C1454	QCS11HJ-101	C CAPACITOR	100PF 5X 50V	
C1455	QER41HM-475	E CAPACITOR	4.7MF 20X 50V	
C1456	QER41HM-475	E CAPACITOR	4.7MF 20X 50V	
C1457	QER41HM-475	E CAPACITOR	4.7MF 20X 50V	

■ AC Supply P.C.B.

		BLOCK NO. 09					
REF.	PARTS NO.	PARTS NAME	REMARKS	SUFFIX			
A705	QCS11HJ-101	C CAPACITOR	100PF 5% 50V				
G706	QCS11HJ-101	C CAPACITOR	100PF 5% 50V				
G710	QCS32HJ-220Z	C CAPACITOR	22PF 5% 500V				
G711	QFLC11HJ-152Z	M CAPACITOR	1500PF 5% 50V				
G712	QFLC11HJ-152Z	M CAPACITOR	1500PF 5% 50V				
G713	QCS11HJ-680	C CAPACITOR	68PF 5% 50V				
G714	QCS11HJ-680	C CAPACITOR	68PF 5% 50V				
G715	QCS11HJ-680	C CAPACITOR	68PF 5% 50V				
G716	QCS11HJ-680	C CAPACITOR	68PF 5% 50V				
G717	QCS32HJ-220Z	C CAPACITOR	22PF 5% 500V				
G951	QFLC11HJ-102Z	M CAPACITOR	RX-888RBK ONLY				
G953	QCS31HJ-221Z	C CAPACITOR	RX-888RBK ONLY				
G954	QFLC11HJ-272Z	M CAPACITOR	RX-888RBK ONLY				
G955	QFLC11HJ-473Z	M CAPACITOR	RX-888RBK ONLY				
G956	QCS31HJ-221Z	C CAPACITOR	RX-888RBK ONLY				
G957	QFLC11HJ-223Z	M CAPACITOR	RX-888RBK ONLY				
G958	QFLC11HJ-223Z	M CAPACITOR	RX-888RBK ONLY				
G959	QCS31HJ-221Z	C CAPACITOR	RX-888RBK ONLY				
G960	QCS31HJ-221Z	C CAPACITOR	RX-888RBK ONLY				
G968	QDGB1HK-102Y	C CAPACITOR	RX-888RBK ONLY				
G969	QDGB1HK-102Y	C CAPACITOR	RX-888RBK ONLY				
G970	QDGB1HK-102Y	C CAPACITOR	RX-888RBK ONLY				
D701	1SS133-T2	DIODE					
D702	1SS133-T2	DIODE					
D703	1SS133-T2	DIODE					
D704	1SS133-T2	DIODE					
D951	1SS133-T2	DIODE					
D952	1SS133-T2	DIODE					
G701	2SC2240-BL/AB/	TRANSISTOR					
G702	2SC2240-BL/AB/	TRANSISTOR					
G703	2SC2240-BL/AB/	TRANSISTOR					
G704	2SC2240-BL/AB/	TRANSISTOR					
G705	2SA1038S/SE/-T	TRANSISTOR					
G706	2SA1038S/SE/-T	TRANSISTOR					
G707	2SA933AS/RS/-T	TRANSISTOR					
G708	2SA933AS/RS/-T	TRANSISTOR					
G709	2SA1038S/SE/-T	TRANSISTOR					
G710	2SA1038S/SE/-T	TRANSISTOR					
G711	2SC2389S/SE/-T	TRANSISTOR					
G712	2SC2389S/SE/-T	TRANSISTOR					
R 61	GRTO12J-R22	UNF.MF.RES	RX-888RBK ONLY				
R 62	GRTO12J-R22	UNF.MF.RES	RX-888RBK ONLY				
R705	GRE141J-202Y	C RESISTOR	2.0K 5% 1/4W				
R706	GRE141J-202Y	C RESISTOR	2.0K 5% 1/4W				
R707	GRE141J-202Y	C RESISTOR	2.0K 5% 1/4W				
R708	GRE141J-202Y	C RESISTOR	2.0K 5% 1/4W				
R709	GRE141J-912Y	C RESISTOR	9.1K 5% 1/4W				
R710	GRE141J-912Y	C RESISTOR	9.1K 5% 1/4W				
R717	GRJ146J-562X	UNF.C.RES.	5.6K 5% 1/4W	I/M			
R718	GRJ146J-562X	UNF.C.RES.	5.6K 5% 1/4W	I/M			
R719	GRK126J-103X	UNF.C.RES.	10K 5% 1/2W	I.M			
R720	GRK126J-103X	UNF.C.RES.	10K 5% 1/2W	I.M			
R721	GRJ146J-151X	C RESISTOR	150 5% 1/4W				
R722	GRJ146J-151X	C RESISTOR	150 5% 1/4W				
R723	GRE141J-391Y	C RESISTOR	390 5% 1/4W				

		BLOCK NO. 02					
REF.	PARTS NO.	PARTS NAME	REMARKS	SUFFIX			
R1345	GRE141J-273Y	C RESISTOR	27K 5% 1/4W				
R1346	GRE141J-223Y	C RESISTOR	22K 5% 1/4W				
R1347	GRE141J-132Y	C RESISTOR	1.3K 5% 1/4W				
R1348	GRE141J-182Y	C RESISTOR	1.8K 5% 1/4W				
R1349	QRZ9005-680X	F RESISTOR	68 1/4W				
R1350	QRZ9005-680X	F RESISTOR	68 1/4W				
R1351	GRE141J-222Y	C RESISTOR	2.2K 5% 1/4W				
R1352	GRE141J-222Y	C RESISTOR	2.2K 5% 1/4W				
R1353	GRE141J-682Y	C RESISTOR	6.8K 5% 1/4W				
R1354	GRE141J-752Y	C RESISTOR	7.5K 5% 1/4W				
R1355	GRE141J-103Y	C RESISTOR	10K 5% 1/4W				
R1356	GRE141J-103Y	C RESISTOR	10K 5% 1/4W				
R1357	GRE141J-103Y	C RESISTOR	10K 5% 1/4W				
R1358	GRE141J-103Y	C RESISTOR	10K 5% 1/4W				
R1359	GRE141J-104Y	C RESISTOR	100K 5% 1/4W				
R1360	GRE141J-104Y	C RESISTOR	100K 5% 1/4W				
R1451	GRE141J-103Y	C RESISTOR	10K 5% 1/4W				
R1452	GRE141J-103Y	C RESISTOR	10K 5% 1/4W				
R1453	GRE141J-103Y	C RESISTOR	10K 5% 1/4W				
R1454	GRE141J-103Y	C RESISTOR	10K 5% 1/4W				
R1457	GRE141J-103Y	C RESISTOR	10K 5% 1/4W				
R1458	GRE141J-103Y	C RESISTOR	10K 5% 1/4W				
R1459	GRE141J-113Y	C RESISTOR	11K 5% 1/4W				
R1460	GRE141J-113Y	C RESISTOR	11K 5% 1/4W				
R1461	GRE141J-104Y	C RESISTOR	100K 5% 1/4W				
R1462	GRE141J-104Y	C RESISTOR	100K 5% 1/4W				
R1463	GRE141J-333Y	C RESISTOR	33K 5% 1/4W				
R1464	GRE141J-333Y	C RESISTOR	33K 5% 1/4W				
R1465	GRE141J-124Y	C RESISTOR	120K 5% 1/4W				
R1466	GRE141J-124Y	C RESISTOR	120K 5% 1/4W				
R1471	QRJ146J-561X	UNF.C.RES. I/M	560 5% 1/4W				
R1472	QRJ146J-561X	UNF.C.RES. I/M	560 5% 1/4W				
R1473	QRJ146J-681X	UNF.C.RES. I/M	680 5% 1/4W				
R1475	GRE141J-474Y	C RESISTOR	470K 5% 1/4W				
R1476	GRE141J-474Y	C RESISTOR	470K 5% 1/4W				
R1477	GRE141J-474Y	C RESISTOR	470K 5% 1/4W				
R1478	GRE141J-474Y	C RESISTOR	470K 5% 1/4W				
R1479	GRE141J-474Y	C RESISTOR	470K 5% 1/4W				
R1480	GRE141J-474Y	C RESISTOR	470K 5% 1/4W				
R1481	GRE141J-103Y	C RESISTOR	10K 5% 1/4W				
R1482	GRE141J-103Y	C RESISTOR	10K 5% 1/4W				
R1483	GRE141J-103Y	C RESISTOR	10K 5% 1/4W				
R1484	GRE141J-103Y	C RESISTOR	10K 5% 1/4W				
R1485	GRE141J-104Y	C RESISTOR	100K 5% 1/4W				
R1486	GRE141J-104Y	C RESISTOR	100K 5% 1/4W				
R1487	QRZ9005-680X	F RESISTOR	68 1/4W				
R1488	QRZ9005-680X	F RESISTOR	68 1/4W				

BLOCK NO. 05

REF.	PARTS NO.	PARTS NAME	REMARKS	SUFFIX
C1703	QCS31HJ-101Z	C CAPACITOR	RX-888VBK	
C1704	QET41EM-476	E CAPACITOR	4.7MF 20% 25V	
C1705	QCS11HJ-100Z	C CAPACITOR	RX-888RBK	
C1706	QCS11HJ-5R0	C CAPACITOR	RX-888VBK	
C1711	QCS32HJ-330Z	C.CAPACITOR	33PF 5% 500V	
C1712	QFLC1HJ-103Z	M CAPACITOR	.010MF 5% 50V	
C1713	QETN1HM-225Z	E CAPACITOR	2.2MF 20% 50V	
C1715	QET41HM-476	E CAPACITOR	4.7MF 20% 50V	
C1741	QETN2AM-476Z	E CAPACITOR	RX-888VBK	
C1741	QETN1JM-476Z	E CAPACITOR	RX-888RBK	
C1742	QETN1JM-476Z	E CAPACITOR	RX-888RBK	
C1742	QETN2AM-476Z	E CAPACITOR	RX-888VBK	
C1743	QET41EM-476	E CAPACITOR	4.7MF 20% 25V	
C1751	QCS32HJ-470Z	C.CAPACITOR	4.7PF 5% 500V	
C1752	QCS32HJ-470Z	C.CAPACITOR	4.7PF 5% 500V	
C1761	QFLC1HJ-473Z	M CAPACITOR	RX-888RBK ONLY	
C1761	QFLC1HJ-473Z	M CAPACITOR	RX-888VBK C	
C1762	QFLC1HJ-473Z	M CAPACITOR	RX-888RBK C	
C1762	QFLC1HJ-473Z	M CAPACITOR	RX-888RBK	
C1762	QFLC1HJ-473Z	M CAPACITOR	RX-888RBK J	
C1791	QCS31HJ-223Z	C.CAPACITOR	RX-888VBK J	
C1801	QETN1HM-106Z	E CAPACITOR	10MF 20% 50V	
C1802	QETN1HM-106Z	E CAPACITOR	10MF 20% 50V	
C1803	QCS11HJ-101	C CAPACITOR	100PF 5% 50V	
C1804	QCS11HJ-101	C CAPACITOR	100PF 5% 50V	
C1805	QCS31HJ-221Z	C CAPACITOR	RX-888RBK	
C1805	QCS31HJ-101Z	C CAPACITOR	RX-888VBK	
C1806	QCS31HJ-101Z	C CAPACITOR	RX-888VBK	
C1806	QCS31HJ-221Z	C CAPACITOR	RX-888RBK	
C1807	QET41EM-476	E CAPACITOR	4.7MF 20% 25V	
C1808	QET41EM-476	E CAPACITOR	4.7MF 20% 25V	
C1809	QCS11HJ-5R0	C CAPACITOR	5.0PF 5% 50V	
C1810	QCS11HJ-5R0	C CAPACITOR	5.0PF 5% 50V	
C1811	QCS32HJ-330Z	C.CAPACITOR	33PF 5% 500V	
C1812	QCS32HJ-330Z	C.CAPACITOR	33PF 5% 500V	
C1813	QFLC1HJ-103Z	M CAPACITOR	.010MF 5% 50V	
C1814	QFLC1HJ-103Z	M CAPACITOR	.010MF 5% 50V	
C1815	QEK41HM-225	E CAPACITOR	2.2MF 20% 50V	
C1816	QEK41HM-225	E CAPACITOR	2.2MF 20% 50V	
C1817	QET41HM-476	E CAPACITOR	4.7MF 20% 50V	
C1818	QET41HM-476	E CAPACITOR	4.7MF 20% 50V	
C1841	QETN2AM-476Z	E CAPACITOR	RX-888VBK	
C1841	QETN1JM-476Z	E CAPACITOR	RX-888RBK	
C1842	QETN1JM-476Z	E CAPACITOR	RX-888RBK	
C1842	QETN2AM-476Z	E CAPACITOR	RX-888VBK	
C1843	QETN1HM-106Z	E CAPACITOR	10MF 20% 50V	
C1851	QCS32HJ-470Z	C.CAPACITOR	4.7PF 5% 500V	
C1852	QCS32HJ-470Z	C.CAPACITOR	4.7PF 5% 500V	
C1853	QCS32HJ-470Z	C.CAPACITOR	4.7PF 5% 500V	
C1854	QCS32HJ-470Z	C.CAPACITOR	4.7PF 5% 500V	
C1861	QFLC1HJ-473Z	M CAPACITOR	RX-888VBK C	
C1861	QFLC1HJ-473Z	M CAPACITOR	RX-888RBK ONLY	
C1862	QFLC1HJ-473Z	M CAPACITOR	RX-888VBK C	
C1862	QFLC1HJ-473Z	M CAPACITOR	RX-888RBK ONLY	
C1863	QFLC1HJ-473Z	M CAPACITOR	RX-888RBK/VBK C	

BLOCK NO. 05

REF.	PARTS NO.	PARTS NAME	REMARKS	SUFFIX
R724	QRE141J-391Y	C RESISTOR	390 5% 1/4W	
R725	QRE141J-152Y	C RESISTOR	1.5K 5% 1/4W	
R726	QRE141J-152Y	C RESISTOR	1.5K 5% 1/4W	
R727	QRE141J-333Y	C RESISTOR	33K 5% 1/4W	
R728	QRE141J-333Y	C RESISTOR	33K 5% 1/4W	
R729	QRE141J-391Y	C RESISTOR	390 5% 1/4W	
R730	QRE141J-391Y	C RESISTOR	390 5% 1/4W	
R731	QRE141J-391Y	C RESISTOR	390 5% 1/4W	
R732	QRE141J-391Y	C RESISTOR	390 5% 1/4W	
R733	QRE141J-101Y	C RESISTOR	100 5% 1/4W	
R734	QRE141J-101Y	C RESISTOR	100 5% 1/4W	
R951	QRJ146J-120X	UNF.C.RES.	12 5% 1/4W	
R952	QRJ146J-120X	UNF.C.RES.	12 5% 1/4W	
R955	QRJ146J-2R7X	UNF.C.RES.	RX-888RBK ONLY	
R957	QRJ146J-2R7X	UNF.C.RES.	RX-888RBK ONLY	
R958	QRJ146J-2R7X	UNF.C.RES.	RX-888RBK ONLY	
C 1	QC29019-47Z	C.CAPACITOR	4.700PF	
C 51	QFM32AJ-472Z	M.CAPACITOR	4700PF 10% 100V	
C 52	QET41EM-108	E CAPACITOR	1000MF 20% 25V	
C 54	QET41CM-47Z	E CAPACITOR	470MF 20% 16V	
C 55	QCS31HJ-223Z	C CAPACITOR	4700PF +80% -20%	
C 61	QFM32AJ-104Z	M.CAPACITOR	.10MF 5% 100V	
C 62	QFM32AJ-104Z	M.CAPACITOR	.10MF 5% 100V	
C 63	QFM32AJ-104Z	M.CAPACITOR	.10MF 5% 100V	
C 65	QETM1VM-33B	E CAPACITOR	3300MF 20% 35V	
C 66	QETM1VM-22B	E CAPACITOR	2200MF 20% 35V	
C 67	QET41HM-473Z	M CAPACITOR	4.7MF 20% 50V	
C 69	QFLC1HJ-473Z	M CAPACITOR	.047MF 5% 50V	
C 70	QETN1HM-227Z	E CAPACITOR	220MF 20% 50V	
C 71	QETN1JM-227Z	E CAPACITOR	220MF 20% 63V	
C 72	QET41HM-226	E CAPACITOR	22MF 20% 50V	
C 73	QET41HM-226	E CAPACITOR	22MF 20% 50V	
C 74	QET41HM-105	E CAPACITOR	1.0MF 20% 50V	
C 93	QCS31HJ-331Y	C CAPACITOR	RX-888RBK ONLY	
CN 51	QGB2510J1-08	CONNECTOR	RX-888VBK ONLY	
CN 52	QGB2510J1-08	CONNECTOR	RX-888RBK ONLY	
CN 53	QGB2510J1-05	CONNECTOR	RX-888VBK ONLY	
CN 55	QGD2501C1-03Z	SOCKET I.M	RX-888VBK ONLY	
CN 55	QGD2501C1-03Z	SOCKET I.M	RX-888RBK ONLY	
CN 56	QGD2501C1-04Z	SOCKET I.M	RX-888VBK ONLY	
CN 56	QGD2501C1-04Z	SOCKET I.M	RX-888RBK ONLY	
CN402	QF1205C1-21	CONNECTOR	(WITH CN803)	
CN701	QJP002-021401	SKI WIRE ASSY	RX-888VBK ONLY	
CN702	QJP001-031401	SKI CR C-B WIRE	RX-888RBK ONLY	
CN703	WJK0034-001A	SKI WIRE ASSY	(WITH CN803)	
CN811	QGA3901F2-03	CONNECTOR	RX-888VBK ONLY	
CN811	QGA3901F2-03	CONNECTOR	RX-888RBK ONLY	
CN951	QJL005-063201	SKI WIRE ASSY	RX-888VBK ONLY	
C1701	QETN1HM-106Z	E CAPACITOR	10MF 20% 50V	
C1702	QCS31HJ-101Z	C CAPACITOR	RX-888VBK	
C1702	QCS31HJ-470Z	C CAPACITOR	RX-888RBK	
C1703	QCS31HJ-221Z	C CAPACITOR	RX-888RBK	

BLOCK NO. 03

REF.	PARTS NO.	PARTS NAME	REMARKS	SUFFIX
J 91	QNS0023-001	JACK		
L1761	QQL2005-R45	INDUCTOR	RX-888VBK ONLY	
L1762	QQL2005-R45	INDUCTOR	RX-888RBK ONLY	
L1861	QQL2005-R45	INDUCTOR		
L1862	QQL2005-R45	INDUCTOR		
L1863	QQL2005-R45	INDUCTOR	RX-888VBK ONLY	
L1864	QQL2005-R45	INDUCTOR	RX-888RBK ONLY	
Q 52	2SC2235/OY/-T	TR. I/M		
Q 53	DTC123YSA-T	D. TRANSISTOR		
Q 61	DTC114YSA-T	D. TR. I. M		
Q 71	2SB1357/EF/-T	TR. I/M		
Q 72	DTC114ESA-T	D. TRANSISTOR		
Q 73	DTA144ESA-T	D. TRANSISTOR		
Q 74	2SC2240/GL/-T	TRANSISTOR I/M		
Q1701	2SC2240-BL/AB/	TRANSISTOR		
Q1702	2SC2240-BL/AB/	TRANSISTOR		
Q1703	2SA1038S/S/-T	TRANSISTOR		
Q1731	2SD637/QR/	TRANSISTOR		
Q1771	2SC2389S/SE/-T	TRANSISTOR		
Q1772	2SA1038S/SE/-T	TRANSISTOR		
Q1791	2SC2389S/SE/-T	TRANSISTOR		
Q1801	2SC2240-BL/AB/	TRANSISTOR		
Q1802	2SC2240-BL/AB/	TRANSISTOR		
Q1803	2SC2240-BL/AB/	TRANSISTOR		
Q1804	2SC2240-BL/AB/	TRANSISTOR		
Q1805	2SA1038S/S/-T	TRANSISTOR		
Q1806	2SA1038S/S/-T	TRANSISTOR		
Q1831	2SD637/QR/	TRANSISTOR		
Q1832	2SD637/QR/	TRANSISTOR		
Q1871	2SC2389S/SE/-T	TRANSISTOR		
Q1872	2SC2389S/SE/-T	TRANSISTOR		
Q1873	2SA1038S/SE/-T	TRANSISTOR		
Q1874	2SA1038S/SE/-T	TRANSISTOR		
Q1891	2SC2389S/SE/-T	TRANSISTOR		
Q1892	2SC2389S/SE/-T	TRANSISTOR		
R 1	QR29044-335	COMP. RESISTOR	RX-888VBK ONLY	
R 53	QR29015-3R9	F RESISTOR	RX-888RBK	
R 53	QRJ146J-3R9X	UNF. C. RES. I/M	RX-888VBK	
R 54	QRE141J-821Y	C RESISTOR	820 5% 1/4W	
R 55	QRT022J-1R0	MF RESISTOR	1.0 5% 1/2W	
R 61	QRT012J-R22	UNF. MF. RES.	RX-888VBK ONLY	
R 62	QRT012J-R22	UNF. MF. RES.	RX-888VBK ONLY	
R 66	QRJ146J-2R2X	C RESISTOR	2.2 5% 1/4W	
R 67	QRJ146J-120K	UNF. C. RES. I/M	12 5% 1/4W	
R 68	QRE141J-562Y	C RESISTOR	5.6K 5% 1/4W	
R 69	QRE141J-822Y	C RESISTOR	8.2K 5% 1/4W	
R 70	QR141J-103Y	C RESISTOR	10K 5% 1/4W	
R 72	QRJ146J-332X	UNF. C. RES. I/M	3.3K 5% 1/4W	
R 73	QRE141J-223Y	C RESISTOR	22K 5% 1/4W	
R 74	QRE141J-104Y	C RESISTOR	100K 5% 1/4W	
R 91	QRL022J-471	UNF. OMF. RES.	470 5% 1/2W	
R 92	QRL022J-471	UNF. OMF. RES.	470 5% 1/2W	
RY 1	QSK0098-001	RELAY	RX-888VBK J	
RY 61	QSK0082-001	RELAY	RX-888RBK ONLY	
RY 61	QSK0082-001	RELAY		

BLOCK NO. 03

REF.	PARTS NO.	PARTS NAME	REMARKS	SUFFIX
C1833	QFLC1HJ-223Z	M CAPACITOR	RX-888VBK J	
C1864	QFLC1HJ-223Z	M CAPACITOR	RX-888VBK	
C1864	QFLC1HJ-473Z	M CAPACITOR	RX-888RBK/VBK C	
C1891	QCF31H2-223Z	C. CAPACITOR	.022MF +80:-20%	
C1892	QCF31H2-223Z	C. CAPACITOR	.022MF +80:-20%	
D 51	1SR139-200-T4	DIODE I. M		
D 52	1SR139-200-T4	DIODE I. M		
D 53	1SR139-200-T4	DIODE I. M		
D 54	1SR139-200-T4	DIODE I. M		
D 56	MTJ26.2A-T2	Z. DIODE IDM		
D 57	1SS133-T2	DIODE		
D 61	10E2-FD	DIODE		
D 62	1SR139-200-T4	DIODE I. M		
D 63	10E2-FD	DIODE		
D 64	1SR139-200-T4	DIODE I. M		
D 65	1SS133-T2	DIODE		
D 66	1SS133-T2	DIODE	RX-888VBK J	
D 67	1SS133-T2	DIODE	RX-888VBK C	
D 68	1SS133-T2	DIODE	RX-888RBK C	
D 71	1SR139-200-T4	DIODE I. M		
D 72	1SR139-200-T4	DIODE I. M		
D 73	1SR139-200-T4	DIODE I. M		
D 74	MTJ233C-T2	Z DIODE I M		
D 75	MTJ26.2C-T2	ZENER DIODE		
D1701	1SS133-T2	DIODE		
D1702	MTJ18C-T2	Z. DIODE I. M		
D1771	1SS133-T2	DIODE		
D1772	1SS133-T2	DIODE		
D1791	1SS133-T2	DIODE		
D1801	1SS133-T2	DIODE		
D1802	1SS133-T2	DIODE		
D1805	MTJ218C-T2	Z. DIODE I. M		
D1871	1SS133-T2	DIODE		
D1872	1SS133-T2	DIODE		
D1873	1SS133-T2	DIODE		
D1874	1SS133-T2	DIODE		
D1891	1SS133-T2	DIODE		
D1892	1SS133-T2	DIODE		
EP 1	E409182-001SM	GRAND TERMINAL		
EP 2	QNZ0136-001Z	EARTH PLATE		
EP 51	QNG0020-001Z	EARTH PLATE		
FC 1	QNG0020-001Z	FUSE CLIP	F001	
FC 2	QNG0020-001Z	FUSE CLIP	F001	
FC 3	QNG0020-001Z	FUSE CLIP	RX-888RBK ONLY	
FC 4	QNG0020-001Z	FUSE CLIP	RX-888RBK ONLY	
FC 61	QNG0020-001Z	FUSE CLIP I. M	RX-888RBK ONLY	
FC 62	QNG0020-001Z	FUSE CLIP	RX-888VBK ONLY	
FC 63	QNG0020-001Z	FUSE CLIP I. M	RX-888RBK ONLY	
FC 64	QNG0020-001Z	FUSE CLIP I. M	RX-888RBK ONLY	
FC 65	QNG0020-001Z	FUSE CLIP	RX-888VBK ONLY	
FC 66	QNG0020-001Z	FUSE CLIP	RX-888VBK ONLY	
FW 51	QUM137-10DG74	PARA RIBON WIRE	RX-888VBK ONLY	
FW901	QUM133-08DG74	PARA RIBON WIRE		
FW961	QUM133-15DG74	PARA RIBON WIRE		

REF.	PARTS NO.	PARTS NAME	REMARKS	SUFFIX
R1828	GRE141J-392Y	C RESISTOR	3.9K 5% 1/4W	
R1829	GRE141J-392Y	C RESISTOR	3.9K 5% 1/4W	
R1830	GRE141J-392Y	C RESISTOR	3.9K 5% 1/4W	
R1831	GRE141J-751Y	C RESISTOR	750 5% 1/4W	
R1832	GRE141J-751Y	C RESISTOR	750 5% 1/4W	
R1833	GRE141J-391Y	C RESISTOR	390 5% 1/4W	
R1834	GRE141J-391Y	C RESISTOR	390 5% 1/4W	
R1842	QRJ146J-221X	UNF. C RES. I/M	RX-888VBK	
R1842	QRJ146J-331X	C RESISTOR	RX-888RBK	
R1843	QRL022J-562	UNF.OMF. RES.	5.6K 5% 1/2W	
R1851	QRJ146J-100K	UNF. C RESISTOR	10 5% 1/4W	
R1852	QRJ146J-100K	UNF. C RESISTOR	10 5% 1/4W	
R1853	QRJ146J-100K	UNF. C RESISTOR	10 5% 1/4W	
R1854	QRJ146J-100K	UNF. C RESISTOR	10 5% 1/4W	
R1855	QR20197-R22	EMIT RESISTOR	1/1W	
R1861	QRJ125J-330	UNF. C RESISTOR	33 5% 1/2W	
R1862	QRJ125J-330	UNF. C RESISTOR	33 5% 1/2W	
R1863	QRL022J-100	UNF.OMF. RESISTO	10 5% 1/2W	
R1864	QRL022J-100	UNF.OMF. RESISTO	10 5% 1/2W	
R1871	GRE141J-391Y	C RESISTOR	390 5% 1/4W	
R1872	GRE141J-391Y	C RESISTOR	390 5% 1/4W	
R1873	GRE141J-391Y	C RESISTOR	390 5% 1/4W	
R1874	GRE141J-391Y	C RESISTOR	390 5% 1/4W	
R1875	GRE141J-201Y	C RESISTOR	200 5% 1/4W	
R1876	GRE141J-201Y	C RESISTOR	200 5% 1/4W	
R1877	GRE141J-201Y	C RESISTOR	200 5% 1/4W	
R1878	GRE141J-201Y	C RESISTOR	200 5% 1/4W	
R1891	GRE141J-272Y	C RESISTOR	2.7K 5% 1/4W	
R1892	GRE141J-272Y	C RESISTOR	2.7K 5% 1/4W	
R1893	GRE141J-153Y	C RESISTOR	15K 5% 1/4W	
R1894	GRE141J-153Y	C RESISTOR	15K 5% 1/4W	
R1895	GRE141J-123Y	C RESISTOR	12K 5% 1/4W	
R1896	GRE141J-123Y	C RESISTOR	12K 5% 1/4W	
R1897	GRE141J-104Y	C RESISTOR	100K 5% 1/4W	
R1898	GRE141J-104Y	C RESISTOR	100K 5% 1/4W	
ST951	GN80078-001	SPK TERMINAL	RX-888VBK	
ST951	GN80079-001	SPK TERMINAL	RX-888RBK	
T 2	ETP1000-41EA	POWER TRANS	RX-888RBK	
T 2	ETP1000-41JA	POWER TRANS	RX-888VBK	
TA 1	QNZ0079-001Z	TAB I.M		
TA 2	QNZ0079-001Z	TAB I.M		
TH 71	GAD0095-4R7Z	POSISTOR I.M		
TH731	GAD0012-20Z	THERMISTOR		
TH831	GAD0012-20Z	THERMISTOR		
TH832	GAD0012-20Z	THERMISTOR		

REF.	PARTS NO.	PARTS NAME	REMARKS	SUFFIX
RY 62	QSK0088-001	RELAY	RX-888VBK C	
RY 63	QSK0088-001	RELAY	RX-888VBK C	
RY951	QSK0042-001	RELAY		
RY952	QSK0042-001	RELAY		
R1701	GRE141J-222Y	C RESISTOR	2.2K 5% 1/4W	
R1702	GRE141J-104Y	C RESISTOR	100K 5% 1/4W	
R1703	GRE141J-202Y	C RESISTOR	2.0K 5% 1/4W	
R1705	GRE141J-123Y	C RESISTOR	12K 5% 1/4W	
R1711	GRE141J-621Y	C RESISTOR	RX-888VBK	
R1711	GRE141J-911Y	C RESISTOR	RX-888RBK	
R1712	GRE141J-104Y	C RESISTOR	100K 5% 1/4W	
R1721	QRJ146J-221X	UNF. C RES. I/M	220 5% 1/4W	
R1722	QRJ146J-392Y	C RESISTOR	3.9K 5% 1/4W	
R1723	QRJ146J-392Y	C RESISTOR	3.9K 5% 1/4W	
R1724	QRJ146J-392Y	C RESISTOR	3.9K 5% 1/4W	
R1725	QRJ146J-392Y	C RESISTOR	3.9K 5% 1/4W	
R1731	QRJ146J-751Y	C RESISTOR	750 5% 1/4W	
R1732	QRJ146J-391Y	C RESISTOR	390 5% 1/4W	
R1742	QRJ146J-331X	C RESISTOR	RX-888RBK	
R1742	QRJ146J-221X	UNF. C RES. I/M	RX-888VBK	
R1743	QRL022J-562	UNF.OMF. RES.	5.6K 5% 1/2W	
R1751	QRJ146J-100K	UNF. C RESISTOR	10 5% 1/4W	
R1752	QRJ146J-100K	UNF. C RESISTOR	10 5% 1/4W	
R1753	QR20197-R22	EMIT RESISTOR	1/1W	
R1761	QRJ125J-330	UNF. C RESISTOR	33 5% 1/2W	
R1762	QRL022J-100	UNF.OMF. RESISTO	10 5% 1/2W	
R1771	GRE141J-391Y	C RESISTOR	390 5% 1/4W	
R1772	GRE141J-391Y	C RESISTOR	390 5% 1/4W	
R1773	GRE141J-201Y	C RESISTOR	200 5% 1/4W	
R1774	GRE141J-201Y	C RESISTOR	200 5% 1/4W	
R1791	GRE141J-272Y	C RESISTOR	2.7K 5% 1/4W	
R1792	GRE141J-153Y	C RESISTOR	15K 5% 1/4W	
R1793	GRE141J-123Y	C RESISTOR	12K 5% 1/4W	
R1794	GRE141J-104Y	C RESISTOR	100K 5% 1/4W	
R1801	GRE141J-222Y	C RESISTOR	2.2K 5% 1/4W	
R1802	GRE141J-222Y	C RESISTOR	2.2K 5% 1/4W	
R1803	GRE141J-104Y	C RESISTOR	100K 5% 1/4W	
R1804	GRE141J-104Y	C RESISTOR	100K 5% 1/4W	
R1805	GRE141J-202Y	C RESISTOR	2.0K 5% 1/4W	
R1806	GRE141J-202Y	C RESISTOR	2.0K 5% 1/4W	
R1809	GRE141J-123Y	C RESISTOR	12K 5% 1/4W	
R1810	GRE141J-123Y	C RESISTOR	12K 5% 1/4W	
R1811	GRE141J-621Y	C RESISTOR	RX-888VBK	
R1811	GRE141J-911Y	C RESISTOR	RX-888RBK	
R1812	GRE141J-621Y	C RESISTOR	RX-888VBK	
R1813	GRE141J-104Y	C RESISTOR	100K 5% 1/4W	
R1814	GRE141J-104Y	C RESISTOR	100K 5% 1/4W	
R1821	QRJ146J-221X	UNF. C RES. I/M	220 5% 1/4W	
R1822	QRJ146J-221X	UNF. C RES. I/M	220 5% 1/4W	
R1822	GRE141J-911Y	C RESISTOR	RX-888RBK	
R1823	GRE141J-392Y	C RESISTOR	3.9K 5% 1/4W	
R1824	GRE141J-392Y	C RESISTOR	3.9K 5% 1/4W	
R1825	GRE141J-392Y	C RESISTOR	3.9K 5% 1/4W	
R1826	GRE141J-392Y	C RESISTOR	3.9K 5% 1/4W	
R1827	GRE141J-392Y	C RESISTOR	3.9K 5% 1/4W	

Input P.C.B.

REF.	PARTS NO.	PARTS NAME	REMARKS	SUFFIX
C201	QET41HM-475	E CAPACITOR	4.7MF 20X 50V	
C202	QET41HM-475	E CAPACITOR	4.7MF 20X 50V	
C203	QETNOJM-477Z	E CAPACITOR	4.7MF 20X 50V	
C204	QET41HM-475	E CAPACITOR	4.7MF 20X 50V	
C205	QETNOJM-477Z	E CAPACITOR	4.7MF 20X 50V	
C206	QET41HM-475	E CAPACITOR	4.7MF 20X 50V	
C207	QETNOJM-477Z	E CAPACITOR	4.7MF 20X 50V	
C208	QET41EM-476	E CAPACITOR	4.7MF 20X 25V	
C209	QCF11H2-103	E CAPACITOR	.010MF +80:-20X	
C210	QET41HM-475	E CAPACITOR	4.7MF 20X 50V	
C211	QETN1HM-107Z	E CAPACITOR	100MF 20X 50V	
C212	QET41EM-476	E CAPACITOR	4.7MF 20X 25V	
C213	QCF11H2-103	E CAPACITOR	.010MF +80:-20X	
C214	QET41HM-475	E CAPACITOR	4.7MF 20X 50V	
C215	QET41HM-475	E CAPACITOR	4.7MF 20X 50V	
C216	QDX31EM-473Z	E CAPACITOR	4.7MF 20X 50V	
C217	QET41AM-477	E CAPACITOR	4.7MF 20X 10V	
C218	QC20202-155Z	ML C CAPACITOR	1.5MF	
C219	QDC31HJ-150Z	C CAPACITOR		
C220	QDC31HJ-100Z	C CAPACITOR		
C221	QDC31HJ-470Z	C CAPACITOR		
C222	QDC31HJ-270Z	C CAPACITOR		
C223	QDGB1HK-102Y	C CAPACITOR		
C224	QCB81HK-271Y	C CAPACITOR	270PF 10X 50V	
C225	QCB81HK-121Y	C CAPACITOR	120PF 10X 50V	
C241	QDX31EM-473Z	C CAPACITOR		
C242	QET41HM-475	E CAPACITOR	4.7MF 20X 50V	
C244	QDX31EM-473Z	C CAPACITOR		
C245	QET41HM-475	E CAPACITOR	4.7MF 20X 50V	
C246	QDX31EM-477Z	E CAPACITOR	4.7MF 20X 50V	
C247	QETNOJM-477Z	E CAPACITOR	4.7MF 20X 50V	
C249	QDX31EM-473Z	C CAPACITOR	4.7MF 20X 50V	
C250	QET41HM-475	E CAPACITOR	4.7MF 20X 50V	
C251	QDX31EM-473Z	C CAPACITOR	4.7MF 20X 50V	
C252	QETNOJM-477Z	E CAPACITOR	4.7MF 20X 50V	
C253	QCS11HJ-100Y	C CAPACITOR	RX-888RBK ONLY	
C234	QDX31EM-473Z	C CAPACITOR	4.7MF 20X 50V	
C255	QET41HM-475	E CAPACITOR	4.7MF 20X 50V	
C256	QCF11H2-103	E CAPACITOR	.010MF +80:-20X	
C257	QET41EM-476	E CAPACITOR	4.7MF 20X 25V	
C258	QCF11H2-103	E CAPACITOR	.010MF +80:-20X	
C259	QET41EM-476	E CAPACITOR	4.7MF 20X 25V	
C260	QDX31EM-473Z	C CAPACITOR	4.7MF 20X 50V	
C261	QET41HM-475	E CAPACITOR	4.7MF 20X 50V	
C268	QCS11HJ-470	C CAPACITOR	4.7PF 5X 50V	
C269	QCS11HJ-470	C CAPACITOR	4.7PF 5X 50V	
C270	QCS11HJ-101	C CAPACITOR	100PF 5X 50V	
C271	QCS11HJ-101	C CAPACITOR	100PF 5X 50V	
C277	QCS11HJ-470	C CAPACITOR	4.7PF 5X 50V	
C301	QET41HM-475	E CAPACITOR	4.7MF 20X 50V	
C302	QET41HM-475	E CAPACITOR	4.7MF 20X 50V	
C304	QCS11HJ-101	C CAPACITOR	100PF 5X 50V	
C304	QCS11HJ-101	C CAPACITOR	100PF 5X 50V	
C305	QFLC1HJ-182Z	M CAPACITOR	1800PF 5X 50V	
C306	QFLC1HJ-182Z	M CAPACITOR	1800PF 5X 50V	

REF.	PARTS NO.	PARTS NAME	REMARKS	SUFFIX
C307	QFLC1HJ-682Z	M CAPACITOR	6800PF 5X 50V	
C308	QFLC1HJ-682Z	M CAPACITOR	6800PF 5X 50V	
C309	QCS11HJ-101	C CAPACITOR	100PF 5X 50V	
C310	QCS11HJ-101	C CAPACITOR	100PF 5X 50V	
C311	QET41HM-475	E CAPACITOR	4.7MF 20X 50V	
C312	QET41HM-475	E CAPACITOR	4.7MF 20X 50V	
C313	QET41CM-107	E CAPACITOR	100MF 20X 16V	
C314	QET41CM-107	E CAPACITOR	100MF 20X 16V	
C315	QET41EM-476	E CAPACITOR	4.7MF 20X 25V	
C316	QET41EM-476	E CAPACITOR	4.7MF 20X 25V	
C317	QET41HM-226	E CAPACITOR	22MF 20X 50V	
C318	QET41HM-226	E CAPACITOR	22MF 20X 50V	
C319	QCF31H2-223Z	C CAPACITOR	.022MF +80:-20X	
C320	QCF31H2-223Z	C CAPACITOR	.022MF +80:-20X	
C321	QET41HM-226	E CAPACITOR	22MF 20X 50V	
C322	QET41HM-226	E CAPACITOR	22MF 20X 50V	
C323	QCS31HJ-331Z	C RESISTOR	RX-888RBK ONLY	
C324	QCS31HJ-331Z	C RESISTOR	RX-888RBK ONLY	
C325	QCS31HJ-331Z	C RESISTOR	RX-888RBK ONLY	
C326	QCS31HJ-331Z	C RESISTOR	RX-888RBK ONLY	
C327	QCS31HJ-331Z	C RESISTOR	RX-888RBK ONLY	
C328	QCS31HJ-331Z	C RESISTOR	RX-888RBK ONLY	
C329	QCS31HJ-331Z	C RESISTOR	RX-888RBK ONLY	
C330	QCS31HJ-331Z	C RESISTOR	RX-888RBK ONLY	
C331	QCS31HJ-681Z	C CAPACITOR	RX-888RBK	
C331	QCS31HJ-671Z	C CAPACITOR	RX-888VBK	
C332	QCS31HJ-391	C CAPACITOR	390PF 5X 50V	
C333	QCS31HJ-391	C CAPACITOR	390PF 5X 50V	
C334	QCS31HJ-391	C CAPACITOR	390PF 5X 50V	
C337	QET41HM-475	E CAPACITOR	4.7MF 20X 50V	
C338	QET41HM-475	E CAPACITOR	4.7MF 20X 50V	
C339	QET41HM-226	E CAPACITOR	22MF 20X 50V	
C340	QET41HM-226	E CAPACITOR	22MF 20X 50V	
C341	QET41HM-475	E CAPACITOR	4.7MF 20X 50V	
C342	QET41HM-475	E CAPACITOR	4.7MF 20X 50V	
C343	QET41HM-475	E CAPACITOR	4.7MF 20X 50V	
C344	QET41HM-475	E CAPACITOR	4.7MF 20X 50V	
C345	QET41HM-475	E CAPACITOR	4.7MF 20X 50V	
C346	QET41HM-475	E CAPACITOR	4.7MF 20X 50V	
C347	QET41HM-475	E CAPACITOR	4.7MF 20X 50V	
C348	QET41HM-475	E CAPACITOR	4.7MF 20X 50V	
C349	QET41HM-226	E CAPACITOR	22MF 20X 50V	
C350	QET41HM-226	E CAPACITOR	22MF 20X 50V	
C351	QCF31H2-223Z	C CAPACITOR	.022MF +80:-20X	
C352	QCF31H2-223Z	C CAPACITOR	.022MF +80:-20X	
C353	QET41HM-226	E CAPACITOR	22MF 20X 50V	
C354	QET41HM-226	E CAPACITOR	22MF 20X 50V	
C358	QCB1HK-561Y	C CAPACITOR	560PF 10X 50V	
C361	QCF31H2-223Z	C CAPACITOR	.022MF +80:-20X	
C362	QCF31H2-223Z	C CAPACITOR	.022MF +80:-20X	
C363	QET41HM-226	E CAPACITOR	22MF 20X 50V	
C364	QET41HM-226	E CAPACITOR	22MF 20X 50V	
C370	QCB1HK-561Y	C CAPACITOR	560PF 10X 50V	
C371	QET41EM-476	E CAPACITOR	4.7MF 20X 25V	
C372	QET41EM-476	E CAPACITOR	4.7MF 20X 25V	

BLOCK NO. 0400000000

BLOCK NO. 0400000000

BLOCK NO. 04

REF.	PARTS NO.	PARTS NAME	REMARKS	SUFFIX
R214	GRE141J-151V	C RESISTOR	150 5X 1/4W	
R215	GRE141J-151V	C RESISTOR	150 5X 1/4W	
R216	GRE141J-301V	C RESISTOR	300 5X 1/4W	
R217	GRE141J-103V	C RESISTOR	10K 5X 1/4W	
R218	GRE141J-331V	C RESISTOR	330 5X 1/4W	
R219	GRE141J-101V	C RESISTOR	100 5X 1/4W	
R220	GRE141J-121V	C RESISTOR	120 5X 1/4W	
R221	GRE141J-151V	C RESISTOR	150 5X 1/4W	
R222	GRE141J-561V	C RESISTOR	560 5X 1/4W	
R223	GRE141J-561V	C RESISTOR	560 5X 1/4W	
R224	GRE141J-561V	C RESISTOR	560 5X 1/4W	
R225	QRJ146J-3R3X	UNF C RES I/M	3.3 5X 1/4W	
R240	GRE141J-750V	C RESISTOR	75 5X 1/4W	
R241	GRE141J-750V	C RESISTOR	75 5X 1/4W	
R242	GRE141J-750V	C RESISTOR	75 5X 1/4W	
R243	GRE141J-750V	C RESISTOR	75 5X 1/4W	
R244	GRE141J-750V	C RESISTOR	75 5X 1/4W	
R245	GRE141J-750V	C RESISTOR	75 5X 1/4W	
R246	GRE141J-750V	C RESISTOR	75 5X 1/4W	
R247	GRE141J-750V	C RESISTOR	75 5X 1/4W	
R248	GRE141J-151V	C RESISTOR	150 5X 1/4W	
R249	GRE141J-121V	C RESISTOR	120 5X 1/4W	
R256	GRE141J-472V	C RESISTOR	4.7K 5X 1/4W	
R257	GRE141J-471V	C RESISTOR	470 5X 1/4W	
R258	GRE141J-472V	C RESISTOR	4.7K 5X 1/4W	
R259	GRE141J-471V	C RESISTOR	470 5X 1/4W	
R264	GRE141J-103V	C RESISTOR	10K 5X 1/4W	
R265	GRE141J-103V	C RESISTOR	10K 5X 1/4W	
R266	GRE141J-750V	C RESISTOR	75 5X 1/4W	
R267	GRE141J-473V	C RESISTOR	47K 5X 1/4W	
R268	GRE141J-750V	C RESISTOR	75 5X 1/4W	
R269	GRE141J-473V	C RESISTOR	47K 5X 1/4W	
R271	QRJ146J-6R8X	UNF C RES I/M	6.8 5X 1/4W	
R301	GRE141J-222V	C RESISTOR	2.2K 5X 1/4W	
R302	GRE141J-222V	C RESISTOR	2.2K 5X 1/4W	
R303	GRE141J-473V	C RESISTOR	47K 5X 1/4W	
R304	GRE141J-473V	C RESISTOR	47K 5X 1/4W	
R305	GRE141J-621V	C RESISTOR	620 5X 1/4W	
R306	GRE141J-621V	C RESISTOR	620 5X 1/4W	
R307	GRE141J-393V	C RESISTOR	39K 5X 1/4W	
R308	GRE141J-393V	C RESISTOR	39K 5X 1/4W	
R309	GRE141J-474V	C RESISTOR	470K 5X 1/4W	
R310	GRE141J-474V	C RESISTOR	470K 5X 1/4W	
R311	GRE141J-104V	C RESISTOR	100K 5X 1/4W	
R312	GRE141J-104V	C RESISTOR	100K 5X 1/4W	
R313	QRJ146J-331X	C RESISTOR	330 5X 1/4W	
R314	QRJ146J-331X	C RESISTOR	330 5X 1/4W	
R315	QR29005-680X	F RESISTOR	68 1/4W	
R316	QR29005-680X	F RESISTOR	68 1/4W	
R325	GRE141J-471V	C RESISTOR	470 5X 1/4W	
R326	GRE141J-471V	C RESISTOR	470 5X 1/4W	
R327	GRE141J-471V	C RESISTOR	470 5X 1/4W	
R328	GRE141J-471V	C RESISTOR	470 5X 1/4W	
R329	GRE141J-471V	C RESISTOR	470 5X 1/4W	
R330	GRE141J-471V	C RESISTOR	470 5X 1/4W	

BLOCK NO. 04

REF.	PARTS NO.	PARTS NAME	REMARKS	SUFFIX
C373	RET41HM-475	E CAPACITOR	4.7MF 20X 50V	
C374	RET41HM-475	E CAPACITOR	4.7MF 20X 50V	
C377	QCS31HJ-331Z	C-CAPACITOR	RX-888RBK ONLY	
C378	QCS31HJ-331Z	C-CAPACITOR	RX-888RBK ONLY	
C379	QCS31HJ-331Z	C-CAPACITOR	RX-888RBK ONLY	
C380	QCS31HJ-331Z	C-CAPACITOR	RX-888RBK ONLY	
C381	QCS31HJ-331Z	C-CAPACITOR	RX-888RBK ONLY	
C382	QCS31HJ-331Z	C-CAPACITOR	RX-888RBK ONLY	
C383	QCS31HJ-331Z	C-CAPACITOR	RX-888RBK ONLY	
C384	QCS31HJ-331Z	C-CAPACITOR	RX-888RBK ONLY	
C385	QCS31HJ-331Z	C-CAPACITOR	RX-888RBK ONLY	
C386	QCS31HJ-331Z	C-CAPACITOR	RX-888RBK ONLY	
C387	QCS31HJ-331Z	C-CAPACITOR	RX-888RBK ONLY	
C388	QCS31HJ-331Z	C-CAPACITOR	RX-888RBK ONLY	
D200	1S8133-T2	DIODE		
D201	1S8133-T2	DIODE		
J201	QNM0078-001	PIN JACK		
J202	QNM0067-001	PIN JACK		
J203	QNM0078-001	PIN JACK		
J241	QND0002-001	S-CONNECTOR		
J242	QND0002-001	S-CONNECTOR		
J243	QND0002-001	S-CONNECTOR		
J301	QNM0056-001	PIN JACK		
J302	QNM0056-001	PIN JACK		
J303	QNM0185-001	PIN JACK		
J311	QNM0056-001	PIN JACK		
J312	QNM0056-001	PIN JACK		
J313	QNM0056-001	PIN JACK		
J314	QNM0107-001	PIN JACK		
L200	QGL231K-220Y	INDUCTOR		
Q200	2SA933S/RS/-T	TRANSISTOR		
Q201	2SA933S/RS/-T	TRANSISTOR		
Q202	DTC143TSA-T	TRANSISTOR		
Q203	DTC114YSA-T	D. TRANSISTOR		
Q204	2SA933S/RS/-T	TRANSISTOR		
Q205	2SA933S/RS/-T	TRANSISTOR		
Q206	2SA933S/RS/-T	TRANSISTOR		
Q240	2SA933S/RS/-T	TRANSISTOR		
Q241	2SA933S/RS/-T	TRANSISTOR		
Q301	2SC2878/AB/-T	TR. I/M		
Q302	2SC2878/AB/-T	TR. I/M		
R200	GRE141J-750V	C RESISTOR	75 5X 1/4W	
R201	GRE141J-750V	C RESISTOR	75 5X 1/4W	
R202	GRE141J-750V	C RESISTOR	75 5X 1/4W	
R203	GRE141J-750V	C RESISTOR	75 5X 1/4W	
R204	GRE141J-750V	C RESISTOR	75 5X 1/4W	
R205	GRE141J-750V	C RESISTOR	75 5X 1/4W	
R206	GRE141J-750V	C RESISTOR	75 5X 1/4W	
R207	GRE141J-331V	C RESISTOR	330 5X 1/4W	
R208	GRE141J-331V	C RESISTOR	330 5X 1/4W	
R209	GRE141J-473V	C RESISTOR	47K 5X 1/4W	
R210	GRE141J-331V	C RESISTOR	330 5X 1/4W	
R211	GRE141J-473V	C RESISTOR	47K 5X 1/4W	
R212	GRE141J-331V	C RESISTOR	330 5X 1/4W	
R213	GRE141J-473V	C RESISTOR	47K 5X 1/4W	

BLOCK NO. 04

REF.	PARTS NO.	PARTS NAME	REMARKS	SUFFIX
A331	GRE141J-561Y	C RESISTOR	560 5X 1/4W	
R332	GRE141J-561Y	C RESISTOR	560 5X 1/4W	
R333	GRE141J-561Y	C RESISTOR	560 5X 1/4W	
R334	GRE141J-561Y	C RESISTOR	560 5X 1/4W	
R335	GRE141J-104Y	C RESISTOR	100K 5X 1/4W	
R336	GRE141J-104Y	C RESISTOR	100K 5X 1/4W	
R337	GRE141J-104Y	C RESISTOR	100K 5X 1/4W	
R338	GRE141J-104Y	C RESISTOR	100K 5X 1/4W	
R339	GRE141J-104Y	C RESISTOR	100K 5X 1/4W	
R340	GRE141J-104Y	C RESISTOR	100K 5X 1/4W	
R341	GRE141J-104Y	C RESISTOR	100K 5X 1/4W	
R342	GRE141J-104Y	C RESISTOR	100K 5X 1/4W	
R343	GRE141J-104Y	C RESISTOR	100K 5X 1/4W	
R344	GRE141J-104Y	C RESISTOR	100K 5X 1/4W	
R345	GRE141J-104Y	C RESISTOR	100K 5X 1/4W	
R346	GRE141J-104Y	C RESISTOR	100K 5X 1/4W	
R347	GRE141J-104Y	C RESISTOR	100K 5X 1/4W	
R348	GRE141J-104Y	C RESISTOR	100K 5X 1/4W	
R349	GRE141J-104Y	C RESISTOR	100K 5X 1/4W	
R350	GRE141J-104Y	C RESISTOR	100K 5X 1/4W	
R351	GRE141J-104Y	C RESISTOR	100K 5X 1/4W	
R352	GRE141J-104Y	F RESISTOR	68 1/4W	
R353	QRZ9005-680X	F RESISTOR	68 1/4W	
R354	QRZ9005-680X	F RESISTOR	68 1/4W	
R355	GRE141J-471Y	C RESISTOR	470 5X 1/4W	
R356	GRE141J-471Y	C RESISTOR	470 5X 1/4W	
R357	GRE141J-471Y	C RESISTOR	470 5X 1/4W	
R358	GRE141J-471Y	C RESISTOR	470 5X 1/4W	
R359	GRE141J-471Y	C RESISTOR	470 5X 1/4W	
R360	GRE141J-471Y	C RESISTOR	470 5X 1/4W	
R361	GRE141J-471Y	C RESISTOR	470 5X 1/4W	
R362	GRE141J-471Y	C RESISTOR	470 5X 1/4W	
R363	GRE141J-471Y	C RESISTOR	470 5X 1/4W	
R364	GRE141J-471Y	C RESISTOR	470 5X 1/4W	
R365	GRE141J-471Y	C RESISTOR	470 5X 1/4W	
R366	GRE141J-471Y	C RESISTOR	470 5X 1/4W	
R379	GRE141J-471Y	C RESISTOR	470 5X 1/4W	
R380	GRE141J-471Y	C RESISTOR	470 5X 1/4W	
R381	GRE141J-183Y	C RESISTOR	18K 5X 1/4W	
R382	GRE141J-102Y	C RESISTOR	1.0K 5X 1/4W	
R383	GRE141J-104Y	C RESISTOR	100K 5X 1/4W	
R384	GRE141J-104Y	C RESISTOR	100K 5X 1/4W	
R385	GRE141J-471Y	C RESISTOR	470 5X 1/4W	
R386	GRE141J-471Y	C RESISTOR	470 5X 1/4W	
R387	GRE141J-103Y	C RESISTOR	10K 5X 1/4W	
R388	GRE141J-103Y	C RESISTOR	10K 5X 1/4W	
X200	QAX0261-001Z	CRYSTAL	RX-888RBK	
X200	QAX0260-001Z	CRYSTAL	RX-888VBK	
CN200	QGB2510K1-05	CONNECTOR		
CN202	QGA2001F1-10	10P PLUG ASSY		
CN204	QGB214K1-14S	CONNECTOR		
CN205	QGB214K1-14S	CONNECTOR		
CN206	QGA2501F1-02	CONNECTOR		
CN240	QGB2510K1-04	CONNECTOR		
CN242	QGB214K1-14S	CONNECTOR		

BLOCK NO. 04

REF.	PARTS NO.	PARTS NAME	REMARKS	SUFFIX
CN243	QGB214K1-14S	CONNECTOR		
CN244	QGA2501F1-04	CONNECTOR		
CN254	QGB2510K1-05	CONNECTOR		
CN311	QGB2510K1-17	CONNECTOR		
CN312	QGB2510K1-09	CONNECTOR		
CN313	QGB2510K1-12	CONNECTOR		
CN416	QGA2501F1-03	CONNECTOR		
C1250	QCBBIHK-221Y	C CAPACITOR	220PF 10X 50V	
C1251	QCBBIHK-221Y	C CAPACITOR	220PF 10X 50V	
C1252	QCBBIHK-221Y	C CAPACITOR	220PF 10X 50V	
D1250	MTZJ6-.2C-T2	ZENER DIODE	RX-888VBK ONLY	
D1251	MTZJ6-.2C-T2	ZENER DIODE	RX-888VBK ONLY	
IC201	BA7625	IC		
IC202	NJM2285D	IC		
IC203	MB90088PF-131	IC		
IC241	BA7626	IC		
IC242	BA7625	IC		
IC301	NJM4580D-D	IC		
IC302	NJM4580L	IC		
IC303	NJM4580L	IC		
IC304	TC9164AN	IC		
IC305	NJM4580L	IC		
IC311	TC9163AN	IC		
IC391	PA15218N	IC		
J1250	QNS0077-001	3.5 JACK		
J1251	QNS0083-001	3.5 JACK		
J1252	QNS0001-001	3.5 JACK(JES)	RX-888VBK ONLY	
J1253	QNS0001-001	3.5 JACK(JES)	RX-888VBK ONLY	
J1254	QNS0001-001	3.5 JACK(JES)	RX-888VBK ONLY	
R1250	GRE141J-101Y	C RESISTOR	100 5X 1/4W	
R1251	GRE141J-221Y	C RESISTOR	220 5X 1/4W	
R1252	GRE141J-221Y	C RESISTOR	220 5X 1/4W	
R1253	GRE141J-471Y	C RESISTOR	470 5X 1/4W	
R1254	GRE141J-221Y	C RESISTOR	220 5X 1/4W	
R1255	GRE141J-221Y	C RESISTOR	RX-888VBK ONLY	
R1256	GRE141J-221Y	C RESISTOR	RX-888VBK ONLY	
R1257	GRE141J-221Y	C RESISTOR	RX-888VBK ONLY	
SP203	VYH7653-005	IC HOLDER		
SW200	QSM0673-001	LEVER SWITCH		

■ DSP P.C.B.

BLOCK NO. 05

A	REF.	PARTS NO.	PARTS NAME	REMARKS	SUFFIX
	J564	EMN00TV-107A	PIN JACK		
	CN681	QGB1214K3-18W	CONNECTOR		
	CN687	QGB1214K3-12W	CONNECTOR		
	C2001	NEA71EM-475X	E-CAPACITOR	4.7MF 20X 25V	
	C2002	NEA71EM-475X	E-CAPACITOR	4.7MF 20X 25V	
	C2003	NCB31HK-122X	C-CAPACITOR	1200PF 10X 50V	
	C2004	NCB31HK-122X	C-CAPACITOR	1200PF 10X 50V	
	C2005	NCB31HJ-121X	C-CAPACITOR	1200PF 5X 50V	
	C2006	NCB31HJ-121X	C-CAPACITOR	1200PF 5X 50V	
	C2007	NCB31HJ-391X	C-CAPACITOR	390PF 5X 50V	
	C2008	NCB31HJ-391X	C-CAPACITOR	390PF 5X 50V	
	C2009	NCB31CK-104X	C-CAPACITOR	.10MF 10X 16V	
	C2010	NCB31CK-104X	C-CAPACITOR	.10MF 10X 16V	
	C2013	NCB31HJ-330X	C-CAPACITOR	33PF 5X 50V	
	C2014	NCB31HJ-330X	C-CAPACITOR	33PF 5X 50V	
	C2016	NCB31CK-104X	C-CAPACITOR	.10MF 10X 16V	
	C2017	NCB31CK-104X	C-CAPACITOR	.10MF 10X 16V	
	C2018	NCB30JK-105X	C-CAPACITOR	1.0MF 10X 6.3V	
	C2019	NCB31CK-104X	C-CAPACITOR	.10MF 10X 16V	
	C2020	NCB31CK-104X	C-CAPACITOR	.10MF 10X 16V	
	C2021	NCB31HK-561X	C-CAPACITOR	560PF 10X 50V	
	C2022	NCB31HK-561X	C-CAPACITOR	560PF 10X 50V	
	C2023	NCB31HK-103X	C-CAPACITOR	.010MF 10X 50V	
	C2024	NCB31HK-103X	C-CAPACITOR	.010MF 10X 50V	
	C2025	NCB31HK-103X	C-CAPACITOR	.010MF 10X 50V	
	C2026	NCB31HK-103X	C-CAPACITOR	.010MF 10X 50V	
	C2027	NCB31HK-103X	C-CAPACITOR	.010MF 10X 50V	
	C2028	NCB30JK-105X	C-CAPACITOR	1.0MF 10X 6.3V	
	C2029	NCB10JM-106X	C-CAPACITOR	10MF 20X 6.3V	
	C2051	NEA71HM-105X	E-CAPACITOR	1.0MF 20X 50V	
	C2052	NEA71HM-105X	E-CAPACITOR	1.0MF 20X 50V	
	C2053	NEA71EM-475X	E-CAPACITOR	4.7MF 20X 25V	
	C2054	NEA71EM-475X	E-CAPACITOR	4.7MF 20X 25V	
	C2055	NEA71EM-475X	E-CAPACITOR	4.7MF 20X 25V	
	C2056	NEA71EM-475X	E-CAPACITOR	4.7MF 20X 25V	
	C2061	NEA71HM-105X	E-CAPACITOR	1.0MF 20X 50V	
	C2062	NEA71HM-105X	E-CAPACITOR	1.0MF 20X 50V	
	C2081	NCB31HK-103X	C-CAPACITOR	.010MF 10X 50V	
	C2082	NCB31HK-103X	C-CAPACITOR	.010MF 10X 50V	
	C2083	NCB31HK-103X	C-CAPACITOR	.010MF 10X 50V	
	C2084	NCB31CK-104X	C-CAPACITOR	.10MF 10X 16V	
	C2085	NCB31CK-104X	C-CAPACITOR	.10MF 10X 16V	
	C2086	NCB30JK-105X	C-CAPACITOR	1.0MF 10X 6.3V	
	C2089	NCB31HK-103X	C-CAPACITOR	.010MF 10X 50V	
	C2090	NCB30JK-105X	C-CAPACITOR	1.0MF 10X 6.3V	
	C2101	NCB31HJ-101X	C-CAPACITOR	100PF 5X 50V	
	C2104	NCB31HK-102X	C-CAPACITOR	1000PF 10X 50V	
	C2127	NEA71HM-105X	E-CAPACITOR	1.0MF 20X 50V	
	C2128	NEA71HM-105X	E-CAPACITOR	1.0MF 20X 50V	
	C2133	NCB31HJ-330X	C-CAPACITOR	33PF 5X 50V	
	C2134	NCB31HJ-330X	C-CAPACITOR	33PF 5X 50V	
	C2139	NCB31CK-104X	C-CAPACITOR	.10MF 10X 16V	
	C2140	NCB31CK-104X	C-CAPACITOR	.10MF 10X 16V	
	C2200	NCB31HK-222X	C-CAPACITOR	2200PF 10X 50V	
	C2201	NCB31AK-474X	C-CAPACITOR	.47MF 10X 10V	

BLOCK NO. 05

A	REF.	PARTS NO.	PARTS NAME	REMARKS	SUFFIX
	C2202	NCB31CK-473X	C-CAPACITOR	.047MF 10X 16V	
	C2203	NCB31HK-472X	C-CAPACITOR	4700PF 10X 50V	
	C2204	NCB31HJ-180X	C-CAPACITOR	18PF 5X 50V	
	C2205	NCB21HK-103X	C-CAPACITOR	.010MF 10X 50V	
	C2206	NCB31HK-103X	C-CAPACITOR	.010MF 10X 50V	
	C2207	NCB10JK-475X	C-CAPACITOR	4.7MF 10X 6.3V	
	C2208	NCB10JK-475X	C-CAPACITOR	4.7MF 10X 6.3V	
	C2209	NCB30JK-105X	C-CAPACITOR	1.0MF 10X 6.3V	
	C2210	NEA70JM-226X	E-CAPACITOR	22MF 20X 6.3V	
	C2211	NCB31HJ-150X	C-CAPACITOR	15PF 5X 50V	
	C2221	NCB31HK-682X	C-CAPACITOR	6800PF 10X 50V	
	C2222	NCB31HK-682X	C-CAPACITOR	6800PF 10X 50V	
	C2223	NCB31CK-473X	C-CAPACITOR	.047MF 10X 16V	
	C2224	NCB31CK-473X	C-CAPACITOR	.047MF 10X 16V	
	C2225	NCB31HK-391X	C-CAPACITOR	390PF 10X 50V	
	C2226	NCB31HK-391X	C-CAPACITOR	390PF 10X 50V	
	C2227	NEA71HM-105X	E-CAPACITOR	1.0MF 20X 50V	
	C2228	NEA71HM-105X	E-CAPACITOR	1.0MF 20X 50V	
	C2229	NCB31CK-104X	C-CAPACITOR	.10MF 10X 16V	
	C2230	NCB31CK-104X	C-CAPACITOR	.10MF 10X 16V	
	C2231	NCB31HJ-330X	C-CAPACITOR	33PF 5X 50V	
	C2232	NCB31HJ-330X	C-CAPACITOR	33PF 5X 50V	
	C2233	NCB31HK-123X	C-CAPACITOR	.012MF 10X 50V	
	C2242	NCB31HK-123X	C-CAPACITOR	.012MF 10X 50V	
	C2245	NCB31HK-122X	C-CAPACITOR	1200PF 10X 50V	
	C2246	NCB31HK-122X	C-CAPACITOR	1200PF 10X 50V	
	C2247	NCB31HK-392X	C-CAPACITOR	3900PF 10X 50V	
	C2248	NCB31HK-392X	C-CAPACITOR	3900PF 10X 50V	
	C2249	NEA71HM-105X	E-CAPACITOR	1.0MF 20X 50V	
	C2250	NEA71HM-105X	E-CAPACITOR	1.0MF 20X 50V	
	C2251	NCB31CK-104X	C-CAPACITOR	.10MF 10X 16V	
	C2252	NCB31CK-104X	C-CAPACITOR	.10MF 10X 16V	
	C2253	NCB31CK-104X	C-CAPACITOR	.10MF 10X 16V	
	C2254	NCB31CK-104X	C-CAPACITOR	.10MF 10X 16V	
	C2263	NEA71HM-105X	E-CAPACITOR	1.0MF 20X 50V	
	C2264	NEA71HM-105X	E-CAPACITOR	1.0MF 20X 50V	
	C2305	NCB31HK-103X	C-CAPACITOR	.010MF 10X 50V	
	C2306	NCB31HK-103X	C-CAPACITOR	.010MF 10X 50V	
	C2307	NCB10JK-475X	C-CAPACITOR	4.7MF 10X 6.3V	
	C2308	NCB10JK-475X	C-CAPACITOR	4.7MF 10X 6.3V	
	C2309	NCB30JK-105X	C-CAPACITOR	1.0MF 10X 6.3V	
	C2310	NEA70JM-226X	E-CAPACITOR	22MF 20X 6.3V	
	C2321	NCB31HK-682X	C-CAPACITOR	6800PF 10X 50V	
	C2322	NCB31HK-682X	C-CAPACITOR	6800PF 10X 50V	
	C2323	NCB31CK-473X	C-CAPACITOR	.047MF 10X 16V	
	C2324	NCB31CK-473X	C-CAPACITOR	.047MF 10X 16V	
	C2325	NCB31HK-391X	C-CAPACITOR	390PF 10X 50V	
	C2326	NCB31HK-391X	C-CAPACITOR	390PF 10X 50V	
	C2327	NEA71HM-105X	E-CAPACITOR	1.0MF 20X 50V	
	C2328	NEA71HM-105X	E-CAPACITOR	1.0MF 20X 50V	
	C2329	NCB31CK-104X	C-CAPACITOR	.10MF 10X 16V	
	C2330	NCB31CK-104X	C-CAPACITOR	.10MF 10X 16V	
	C2333	NCB31HJ-330X	C-CAPACITOR	33PF 5X 50V	
	C2334	NCB31HJ-330X	C-CAPACITOR	33PF 5X 50V	
	C2339	NCB31CK-104X	C-CAPACITOR	.10MF 10X 16V	

BLOCK NO. 05

BLOCK NO. 05

REF.	PARTS NO.	PARTS NAME	REMARKS	SUFFIX
C2506	NCB31HK-103X	C CAPACITOR	.010MF 10X 50V	
C2507	NCB31HK-103X	C CAPACITOR	.010MF 10X 50V	
C2509	NCB31HK-103X	C CAPACITOR	.010MF 10X 50V	
C2510	NCB31HK-103X	C CAPACITOR	.010MF 10X 50V	
C2511	NCB31HK-103X	C CAPACITOR	.010MF 10X 50V	
C2512	NCB31HK-103X	C CAPACITOR	.010MF 10X 50V	
C2513	NCB31HK-103X	C CAPACITOR	.010MF 10X 50V	
C2514	NCB31HK-103X	C CAPACITOR	.010MF 10X 50V	
C2515	NCB31HK-103X	C CAPACITOR	.010MF 10X 50V	
C2516	NCB31HK-103X	C CAPACITOR	.010MF 10X 50V	
C2517	NCB31HK-103X	C CAPACITOR	.010MF 10X 50V	
C2518	NCB31HK-103X	C CAPACITOR	.010MF 10X 50V	
C2519	NCB31HK-103X	C CAPACITOR	.010MF 10X 50V	
C2520	NCB31HK-103X	C CAPACITOR	.010MF 10X 50V	
C2521	NCB31HK-103X	C CAPACITOR	.010MF 10X 50V	
C2522	NCB31HK-103X	C CAPACITOR	.010MF 10X 50V	
C2523	NCB31HK-103X	C CAPACITOR	.010MF 10X 50V	
C2525	NCB31HK-103X	C CAPACITOR	.010MF 10X 50V	
C2526	NCB30JK-103X	C CAPACITOR	1.0MF 10X 6.3V	
C2529	NCB30JK-103X	C CAPACITOR	1.0MF 10X 6.3V	
C2530	NEA70GM-107X	E CAPACITOR	100MF 20X	
C2531	NCB31HK-103X	C CAPACITOR	.010MF 10X 50V	
C2532	NCB31HK-103X	C CAPACITOR	.010MF 10X 50V	
C2533	NCB30JK-103X	C CAPACITOR	1.0MF 10X 6.3V	
C2534	NCB30JK-103X	C CAPACITOR	1.0MF 10X 6.3V	
C2535	NEA70GM-107X	E CAPACITOR	100MF 20X	
C2536	NEA70GM-107X	E CAPACITOR	100MF 20X	
C2537	NCB31HK-103X	C CAPACITOR	.010MF 10X 50V	
C2538	NEA70JM-476X	E CAPACITOR	47MF 20X 6.3V	
C2541	NCB21HK-103X	C CAPACITOR	.010MF 10X 50V	
C2542	NCB21HK-103X	C CAPACITOR	.010MF 10X 50V	
C2543	NCB21HK-103X	C CAPACITOR	.010MF 10X 50V	
C2544	NCB20JK-335X	C CAPACITOR	3.3MF 10X 6.3V	
C2545	NCB20JK-335X	C CAPACITOR	3.3MF 10X 6.3V	
C2546	NCB20JK-335X	C CAPACITOR	3.3MF 10X 6.3V	
C2551	NCB31HK-103X	C CAPACITOR	.010MF 10X 50V	
C2552	NCB31HK-103X	C CAPACITOR	.010MF 10X 50V	
C2553	NCB11EK-104X	C CAPACITOR	.10MF 10X 25V	
C2556	NCB11EK-104X	C CAPACITOR	.10MF 10X 25V	
C2557	NCB10JM-106X	C CAPACITOR	10MF 20X 6.3V	
C2558	NCB10JM-106X	C CAPACITOR	10MF 20X 6.3V	
C2541	NCB31CK-104X	C CAPACITOR	.10MF 10X 16V	
C2502	NCB31CK-104X	C CAPACITOR	.10MF 10X 16V	
C2564	NCB31HJ-101X	C CAPACITOR	100PF 5X 50V	
C2568	NEA71HM-105X	E CAPACITOR	1.0MF 20X 50V	
C2571	NCB31HK-103X	C CAPACITOR	.010MF 10X 50V	
C2572	NCB31HK-103X	C CAPACITOR	.010MF 10X 50V	
C2573	NCB30JK-103X	C CAPACITOR	1.0MF 10X 6.3V	
C2581	NCB31HK-103X	C CAPACITOR	.010MF 10X 50V	
C2582	NCB31HK-103X	C CAPACITOR	.010MF 10X 50V	
C2583	NCB31HK-103X	C CAPACITOR	.010MF 10X 50V	
C2584	NCB31HK-103X	C CAPACITOR	.010MF 10X 50V	
C2585	NEA70JM-107X	E CAPACITOR	100MF 20X 6.3V	
C2586	NEA71CM-476X	E CAPACITOR	47MF 20X 16V	
C2587	NEA71CM-476X	E CAPACITOR	47MF 20X 16V	

REF.	PARTS NO.	PARTS NAME	REMARKS	SUFFIX
C2340	NCB31CK-104X	C CAPACITOR	.10MF 10X 16V	
C2341	NCB31HK-103X	C CAPACITOR	.010MF 10X 50V	
C2342	NCB31HK-103X	C CAPACITOR	.010MF 10X 50V	
C2343	NCB31HK-272X	C CAPACITOR	2700PF 10X 50V	
C2344	NCB31HK-272X	C CAPACITOR	2700PF 10X 50V	
C2345	NCB31HK-562X	C CAPACITOR	5600PF 10X 50V	
C2346	NCB31HK-562X	C CAPACITOR	5600PF 10X 50V	
C2347	NEA71HM-105X	E CAPACITOR	1.0MF 20X 50V	
C2348	NEA71HM-105X	E CAPACITOR	1.0MF 20X 50V	
C2349	NCB31CK-104X	C CAPACITOR	.10MF 10X 16V	
C2350	NCB31CK-104X	C CAPACITOR	.10MF 10X 16V	
C2363	NEA71HM-105X	E CAPACITOR	1.0MF 20X 50V	
C2364	NEA71HM-105X	E CAPACITOR	1.0MF 20X 50V	
C2405	NCB31HK-103X	C CAPACITOR	.010MF 10X 50V	
C2406	NCB31HK-103X	C CAPACITOR	.010MF 10X 50V	
C2407	NCB10JK-475X	C CAPACITOR	4.7MF 10X 6.3V	
C2408	NCB10JK-475X	C CAPACITOR	4.7MF 10X 6.3V	
C2409	NCB30JK-103X	C CAPACITOR	1.0MF 10X 6.3V	
C2410	NEA70JM-226X	E CAPACITOR	22MF 20X 6.3V	
C2421	NCB31HK-682X	C CAPACITOR	6800PF 10X 50V	
C2422	NCB31HK-682X	C CAPACITOR	6800PF 10X 50V	
C2423	NCB31CK-475X	C CAPACITOR	.047MF 10X 16V	
C2424	NCB31CK-475X	C CAPACITOR	.047MF 10X 16V	
C2425	NCB31HK-391X	C CAPACITOR	390PF 10X 50V	
C2426	NCB31HK-391X	C CAPACITOR	390PF 10X 50V	
C2427	NEA71HM-105X	E CAPACITOR	1.0MF 20X 50V	
C2428	NEA71HM-105X	E CAPACITOR	1.0MF 20X 50V	
C2429	NCB31CK-104X	C CAPACITOR	.10MF 10X 16V	
C2430	NCB31CK-104X	C CAPACITOR	.10MF 10X 16V	
C2433	NCB31HJ-330X	C CAPACITOR	33PF 5X 50V	
C2434	NCB31HJ-330X	C CAPACITOR	33PF 5X 50V	
C2439	NCB31CK-104X	C CAPACITOR	.10MF 10X 16V	
C2440	NCB31CK-104X	C CAPACITOR	.10MF 10X 16V	
C2441	NCB31HK-103X	C CAPACITOR	.010MF 10X 50V	
C2442	NCB30JK-103X	C CAPACITOR	1.0MF 10X 6.3V	
C2443	NCB31HK-272X	C CAPACITOR	2700PF 10X 50V	
C2444	NCB31AK-474X	C CAPACITOR	.47MF 10X 10V	
C2445	NCB31HK-562X	C CAPACITOR	5600PF 10X 50V	
C2447	NEA71HM-105X	E CAPACITOR	1.0MF 20X 50V	
C2448	NEA71HM-105X	E CAPACITOR	1.0MF 20X 50V	
C2449	NCB31CK-104X	C CAPACITOR	.10MF 10X 16V	
C2450	NCB31CK-104X	C CAPACITOR	.10MF 10X 16V	
C2451	NEA71HM-105X	E CAPACITOR	1.0MF 20X 50V	
C2453	NEA71HM-105X	E CAPACITOR	1.0MF 20X 50V	
C2457	NEA71HM-105X	E CAPACITOR	1.0MF 20X 50V	
C2458	NCB31HJ-330X	C CAPACITOR	33PF 5X 50V	
C2459	NCB31CK-104X	C CAPACITOR	.10MF 10X 16V	
C2460	NCB31CK-104X	C CAPACITOR	.10MF 10X 16V	
C2463	NEA71HM-105X	E CAPACITOR	1.0MF 20X 50V	
C2464	NEA71HM-105X	E CAPACITOR	1.0MF 20X 50V	
C2501	NCB31HK-472X	C CAPACITOR	4700PF 10X 50V	
C2502	NCB31HK-103X	C CAPACITOR	.010MF 10X 50V	
C2503	NCB31HK-103X	C CAPACITOR	.010MF 10X 50V	
C2504	NCB31HK-103X	C CAPACITOR	.010MF 10X 50V	
C2505	NCB31HK-103X	C CAPACITOR	.010MF 10X 50V	

BLOCK NO. 05

REF.	PARTS NO.	PARTS NAME	REMARKS	SUFFIX
R2021	NGR0269-007X	FERRITE BEADS		
R2022	NGR0269-007X	FERRITE BEADS		
K2101	NGR0229-001X	F. BEADS C.M		
K2501	NGR0269-007X	FERRITE BEADS		
K2502	NGR0269-007X	FERRITE BEADS		
K2503	NGR0269-007X	FERRITE BEADS		
K2531	NGR0269-007X	FERRITE BEADS		
K2551	NGR0269-007X	FERRITE BEADS		
K2552	NGR0269-007X	FERRITE BEADS		
LC501	NGR0322-001X	EMI FILTER C.M		
LC531	NGR0322-001X	EMI FILTER C.M		
LC532	NGR0322-001X	EMI FILTER C.M		
LC541	NGR0322-001X	EMI FILTER C.M		
LC542	NGR0322-001X	EMI FILTER C.M		
LC543	NGR0322-001X	EMI FILTER C.M		
LC551	NGR0322-001X	EMI FILTER C.M		
LC571	NGR0322-001X	EMI FILTER C.M		
LC620	NGR0322-001X	EMI FILTER C.M		
LC621	NGR0322-001X	EMI FILTER C.M		
LC631	NGR0322-001X	EMI FILTER C.M		
LC641	NGR0322-001X	EMI FILTER C.M		
L2201	NGL024J-SR6X	INDUCTOR C.M		
L2561	EQL5002-470T	INDUCTOR C.M		
L2562	EQL5002-470T	INDUCTOR C.M		
Q2261	2SD1328/ST/-X	TRANSISTOR		
Q2262	2SD1328/ST/-X	TRANSISTOR		
Q2361	2SD1328/ST/-X	TRANSISTOR		
Q2362	2SD1328/ST/-X	TRANSISTOR		
Q2451	2SD1328/ST/-X	TRANSISTOR		
Q2452	DTA114YE-X	TRANSISTOR		
Q2453	DTA114YE-X	TRANSISTOR		
Q2461	2SD1328/ST/-X	TRANSISTOR		
Q2462	2SD1328/ST/-X	TRANSISTOR		
Q2531	DTC114YE-X	TRANSISTOR		
Q2532	DTC114YE-X	TRANSISTOR		
R2001	NRS463J-104X	RESISTOR	100K 5%	
R2002	NRS463J-104X	RESISTOR	100K 5%	
R2003	NRS463J-103X	RESISTOR	10K 5%	
R2004	NRS463J-103X	RESISTOR	10K 5%	
R2005	NRS463J-103X	RESISTOR	10K 5%	
R2006	NRS463J-103X	RESISTOR	10K 5%	
R2007	NRS463J-103X	RESISTOR	10K 5%	
R2008	NRS463J-103X	RESISTOR	10K 5%	
R2009	NRS463J-103X	RESISTOR	10K 5%	
R2010	NRS463J-103X	RESISTOR	10K 5%	
R2011	NRS463J-393X	MG RESISTOR	39K 5%	
R2012	NRS463J-393X	MG RESISTOR	39K 5%	
R2013	NRS463J-393X	MG RESISTOR	39K 5%	
R2014	NRS463J-393X	MG RESISTOR	39K 5%	
R2017	NRS463J-472X	RESISTOR	4.7K 5%	
R2018	NRS463J-472X	RESISTOR	4.7K 5%	
R2021	NRS463J-331X	RESISTOR	330 5%	
R2022	NRS463J-331X	RESISTOR	330 5%	
R2023	NRS463J-331X	RESISTOR	330 5%	
R2024	NRS463J-331X	RESISTOR	330 5%	

BLOCK NO. 05

REF.	PARTS NO.	PARTS NAME	REMARKS	SUFFIX
C2588	NEA70JM-107X	E CAPACITOR.	100MF 20% 6.3V	
C2589	NCB21AK-225X	C. CAPACITOR.	2.2MF 10% 10V	
C2590	NCB21AK-225X	C. CAPACITOR.	2.2MF 10% 10V	
C2591	NCB31CK-104X	C. CAPACITOR	.10MF 10% 16V	
C2592	NCB31CK-104X	C. CAPACITOR	.10MF 10% 16V	
C2593	NCB31CK-104X	C. CAPACITOR	.10MF 10% 16V	
C2594	NCB31HK-103X	C. CAPACITOR	.010MF 10% 50V	
C2595	NCB31HK-103X	C. CAPACITOR	.010MF 10% 50V	
C2596	NCB31HK-103X	C. CAPACITOR	.010MF 10% 50V	
C2597	NCB30JK-105X	C. CAPACITOR	1.0MF 10% 6.3V	
C2598	NCB30JK-105X	C. CAPACITOR	1.0MF 10% 6.3V	
C2599	NCB30JK-105X	C. CAPACITOR	1.0MF 10% 6.3V	
C2601	NCB31CK-104X	C. CAPACITOR	.10MF 10% 16V	
C2601	NCB31HK-103X	C. CAPACITOR	RX-888RBK ONLY	
C2603	NCB31CK-104X	C. CAPACITOR	.10MF 10% 16V	
C2604	NCB31CK-104X	C. CAPACITOR	.10MF 10% 16V	
D2201	HVU17-X	V.C DIODE I.M		
FS561	E3400-431	SPACER	RX-888RBK ONLY	
IC501	XCD56362PV100	IC		
IC502	TC7S04FU-X	IC		
IC503	TC7S04FU-X	IC		
IC504	TC7WH241FU-X	IC		
IC531	MN101C10ABF1	IC		
IC532	MX23L1010T115A1	IC		
IC533	TC7SET32FU-X	IC		
IC541	IS61LV256-12T	IC		
IC542	IS61LV256-12T	IC		
IC543	IS61LV256-12T	IC		
IC551	AK4110VF-X	IC		
IC571	JCE8001-X	IC		
IC591	PQ3D253-X	IC		
IC592	PQ3D253-X	IC		
IC593	PQ3D253-X	IC		
IC601	NJM4580E-W	IC C.M.		
IC611	NJM4580E-W	IC C.M.		
IC613	NJM4580E-W	IC C.M.		
IC620	AK4520A-VF-X	IC A/D. D/A CONV		
IC621	MN35503-X	IC C.M		
IC622	NJM4580E-W	IC C.M.		
IC623	NJM4580E-W	IC C.M.		
IC624	NJM4580E-W	IC C.M.		
IC631	MN35503-X	IC C.M		
IC632	NJM4580E-W	IC C.M.		
IC633	NJM4580E-W	IC C.M.		
IC634	NJM4580E-W	IC C.M.		
IC641	MN35503-X	IC C.M		
IC642	NJM4580E-W	IC C.M.		
IC643	NJM4580E-W	IC C.M.		
IC644	NJM4580E-W	IC C.M.		
IC645	NJM4580E-W	IC C.M.		
IC651	M62466FP-X	IC		
IC652	TC74HCT04AF-X	IC		
KA501	NGR0320-001X	EMI FILTER		
KA531	NGR0320-001X	EMI FILTER		
KA551	NGR0320-001X	EMI FILTER		

BLOCK NO. 05

REF.	PARTS NO.	PARTS NAME	REMARKS	SUFFIX
R2264	NRSA63J-102X	RESISTOR	1.0K 5%	
R2265	NRSA63J-102X	RESISTOR	1.0K 5%	
R2266	NRSA63J-102X	RESISTOR	1.0K 5%	
R2267	NRSA63J-102X	RESISTOR	1.0K 5%	
R2268	NRSA63J-102X	RESISTOR	1.0K 5%	
R2269	NRSA63J-104X	RESISTOR	100K 5%	
R2270	NRSA63J-104X	RESISTOR	100K 5%	
R2271	NRSA63J-103X	RESISTOR	10K 5%	
R2272	NRSA63J-103X	RESISTOR	10K 5%	
R2273	NRSA63J-104X	RESISTOR	100K 5%	
R2274	NRSA63J-104X	RESISTOR	100K 5%	
R2275	NRSA63J-101X	RESISTOR	100 5%	
R2276	NRSA63J-101X	RESISTOR	100 5%	
R2307	NRSA63J-101X	RESISTOR	100 5%	
R2308	NRSA63J-560X	RESISTOR	56 5%	
R2309	NRSA63J-560X	RESISTOR	56 5%	
R2310	NRSA63J-101X	RESISTOR	100 5%	
R2311	NRSA63J-243X	MG RESISTOR	24K 5%	
R2312	NRSA63J-243X	MG RESISTOR	24K 5%	
R2313	NRSA63J-243X	MG RESISTOR	24K 5%	
R2314	NRSA63J-243X	MG RESISTOR	24K 5%	
R2315	NRSA63J-183X	MG RESISTOR	18K 1%	
R2316	NRSA63J-183X	MG RESISTOR	18K 1%	
R2317	NRSA63J-183X	MG RESISTOR	18K 1%	
R2318	NRSA63J-183X	MG RESISTOR	18K 1%	
R2319	NRSA63J-562X	RESISTOR	5.6K 5%	
R2320	NRSA63J-562X	RESISTOR	5.6K 5%	
R2321	NRSA63J-821X	RESISTOR	820 5%	
R2322	NRSA63J-821X	RESISTOR	820 5%	
R2323	NRSA63J-202X	MG RESISTOR	2.0K 5%	
R2324	NRSA63J-202X	MG RESISTOR	2.0K 5%	
R2325	NRSA63J-103X	RESISTOR	10K 5%	
R2326	NRSA63J-103X	RESISTOR	10K 5%	
R2327	NRSA63J-104X	RESISTOR	100K 5%	
R2328	NRSA63J-104X	RESISTOR	100K 5%	
R2331	NRSA63J-113X	RESISTOR	11K 5%	
R2332	NRSA63J-113X	RESISTOR	11K 5%	
R2333	NRSA63J-243X	MG RESISTOR	24K 5%	
R2334	NRSA63J-243X	MG RESISTOR	24K 5%	
R2341	NRSA63J-102X	RESISTOR	1.0K 5%	
R2342	NRSA63J-102X	RESISTOR	1.0K 5%	
R2343	NRSA63J-102X	RESISTOR	1.0K 5%	
R2344	NRSA63J-102X	RESISTOR	1.0K 5%	
R2345	NRSA63J-102X	RESISTOR	1.0K 5%	
R2346	NRSA63J-102X	RESISTOR	1.0K 5%	
R2347	NRSA63J-104X	RESISTOR	100K 5%	
R2348	NRSA63J-104X	RESISTOR	100K 5%	
R2361	NRSA63J-103X	RESISTOR	10K 5%	
R2362	NRSA63J-103X	RESISTOR	10K 5%	
R2363	NRSA63J-104X	RESISTOR	100K 5%	
R2364	NRSA63J-104X	RESISTOR	100K 5%	
R2366	NRSA63J-101X	RESISTOR	100 5%	
R2407	NRSA63J-101X	RESISTOR	100 5%	
R2408	NRSA63J-560X	RESISTOR	56 5%	

BLOCK NO. 05

REF.	PARTS NO.	PARTS NAME	REMARKS	SUFFIX
R2266	NRSA63J-21X	MG RESISTOR	220 5%	
R2061	NRSA63J-104X	RESISTOR	100K 5%	
R2062	NRSA63J-104X	RESISTOR	100K 5%	
R2101	NRSA63J-183X	MG RESISTOR	18K 5%	
R2102	NRSA63J-183X	MG RESISTOR	18K 5%	
R2103	NRSA63J-183X	MG RESISTOR	18K 5%	
R2104	NRSA63J-183X	MG RESISTOR	18K 5%	
R2106	NRSA63J-333X	RESISTOR	33K 5%	
R2107	NRSA63J-333X	RESISTOR	33K 5%	
R2108	NRSA63J-333X	RESISTOR	33K 5%	
R2109	NRSA63J-333X	RESISTOR	33K 5%	
R2127	NRSA63J-104X	RESISTOR	100K 5%	
R2128	NRSA63J-104X	RESISTOR	100K 5%	
R2131	NRSA63J-113X	RESISTOR	11K 5%	
R2132	NRSA63J-113X	RESISTOR	11K 5%	
R2133	NRSA63J-113X	RESISTOR	11K 5%	
R2134	NRSA63J-113X	RESISTOR	11K 5%	
R2201	NRSA63J-333X	RESISTOR	33K 5%	
R2202	NRSA63J-332X	RESISTOR	3.3K 5%	
R2203	NRSA63J-473X	RESISTOR	47K 5%	
R2204	NRSA63J-271X	RESISTOR	270 5%	
R2205	NRSA63J-221X	MG RESISTOR	220 5%	
R2207	NRSA63J-101X	RESISTOR	100 5%	
R2208	NRSA63J-560X	RESISTOR	56 5%	
R2209	NRSA63J-560X	RESISTOR	56 5%	
R2210	NRSA63J-101X	RESISTOR	100 5%	
R2211	NRSA63J-243X	MG RESISTOR	24K 5%	
R2212	NRSA63J-243X	MG RESISTOR	24K 5%	
R2213	NRSA63J-243X	MG RESISTOR	24K 5%	
R2214	NRSA63J-243X	MG RESISTOR	24K 5%	
R2215	NRSA63J-183X	MG RESISTOR	18K 1%	
R2216	NRSA63J-183X	MG RESISTOR	18K 1%	
R2217	NRSA63J-183X	MG RESISTOR	18K 1%	
R2218	NRSA63J-183X	MG RESISTOR	18K 1%	
R2219	NRSA63J-562X	RESISTOR	5.6K 5%	
R2220	NRSA63J-562X	RESISTOR	5.6K 5%	
R2221	NRSA63J-821X	RESISTOR	820 5%	
R2222	NRSA63J-821X	RESISTOR	820 5%	
R2223	NRSA63J-202X	MG RESISTOR	2.0K 5%	
R2224	NRSA63J-202X	MG RESISTOR	2.0K 5%	
R2225	NRSA63J-103X	RESISTOR	10K 5%	
R2226	NRSA63J-103X	RESISTOR	10K 5%	
R2227	NRSA63J-104X	RESISTOR	100K 5%	
R2228	NRSA63J-104X	RESISTOR	100K 5%	
R2231	NRSA63J-333X	CAPACITOR	33K 5%	
R2232	NRSA63J-333X	RESISTOR	33K 5%	
R2233	NRSA63J-333X	RESISTOR	33K 5%	
R2234	NRSA63J-333X	RESISTOR	33K 5%	
R2235	NRSA63J-333X	RESISTOR	33K 5%	
R2236	NRSA63J-333X	RESISTOR	33K 5%	
R2237	NRSA63J-333X	RESISTOR	33K 5%	
R2238	NRSA63J-333X	RESISTOR	33K 5%	
R2241	NRSA63J-102X	RESISTOR	1.0K 5%	
R2244	NRSA63J-102X	RESISTOR	1.0K 5%	
R2243	NRSA63J-102X	RESISTOR	1.0K 5%	

BLOCK NO. 05111111

REF.	PARTS NO.	PARTS NAME	REMARKS	SUFFIX
R2512	NRSA63J-221X	MG RESISTOR	220 5%	
R2513	NRSA63J-221X	MG RESISTOR	220 5%	
R2514	NRSA63J-221X	MG RESISTOR	220 5%	
R2531	NRSA63J-103X	RESISTOR	10K 5%	
R2532	NRSA63J-473X	RESISTOR	47K 5%	
R2533	NRSA63J-473X	RESISTOR	47K 5%	
R2534	NRSA63J-473X	RESISTOR	47K 5%	
R2535	NRSA63J-473X	RESISTOR	47K 5%	
R2536	NRSA63J-473X	RESISTOR	47K 5%	
R2537	NRSA63J-201X	RESISTOR	200 5%	
R2538	NRSA63J-201X	RESISTOR	200 5%	
R2539	NRSA63J-473X	RESISTOR	47K 5%	
R2551	NRSA02F-912X	MG RESISTOR	6.2K 1% 1/10W	
R2556	NRSA63J-221X	MG RESISTOR	220 5%	
R2557	NRSA63J-221X	MG RESISTOR	220 5%	
R2558	NRSA63J-221X	MG RESISTOR	220 5%	
R2559	NRSA63J-221X	MG RESISTOR	220 5%	
R2561	NRSA63J-112X	MG RESISTOR	1.1K 5%	
R2562	NRSA63J-112X	MG RESISTOR	1.1K 5%	
R2564	NRSA63J-750X	RESISTOR	75 5%	
R2565	NRSA63J-512X	MG RESISTOR	5.1K 5%	
R2566	NRSA63J-512X	MG RESISTOR	5.1K 5%	
R2567	NRSA63J-512X	MG RESISTOR	5.1K 5%	
R2568	NRSA63J-221X	MG RESISTOR	220 5%	
R2571	NRSA63J-105X	MG RESISTOR	1.0M 5%	
R2572	NRSA63J-221X	MG RESISTOR	220 5%	
R2573	NRSA63J-221X	MG RESISTOR	220 5%	
R2574	NRSA63J-221X	MG RESISTOR	220 5%	
R2575	NRSA63J-221X	MG RESISTOR	220 5%	
R2576	NRSA63J-221X	MG RESISTOR	220 5%	
R2611	NRSA63J-473X	RESISTOR	47K 5%	
R2612	NRSA63J-473X	RESISTOR	47K 5%	
R2613	NRSA63J-473X	RESISTOR	47K 5%	
R2614	NRSA63J-473X	RESISTOR	47K 5%	
R2615	NRSA63J-473X	RESISTOR	47K 5%	
R2616	NRSA63J-473X	RESISTOR	47K 5%	
UN561	GPIF32R	OPTICAL JACK		
UN562	GPIF32R	OPTICAL JACK		
X2501	NAX0308-001X	C RESONATOR		
X2531	NAX0248-001X	C OSCILLATOR		
X2551	NAX0213-001X	C CRYSTAL		

BLOCK NO. 05111111

REF.	PARTS NO.	PARTS NAME	REMARKS	SUFFIX
R2409	NRSA63J-560X	RESISTOR	56 5%	
R2410	NRSA63J-101X	RESISTOR	100 5%	
R2411	NRSA63J-243X	MG RESISTOR	24K 5%	
R2412	NRSA63J-243X	MG RESISTOR	24K 5%	
R2413	NRSA63J-243X	MG RESISTOR	24K 5%	
R2414	NRSA63J-243X	MG RESISTOR	24K 5%	
R2415	NRSA63F-183X	MG RESISTOR	18K 1%	
R2416	NRSA63F-183X	MG RESISTOR	18K 1%	
R2417	NRSA63F-183X	MG RESISTOR	18K 1%	
R2418	NRSA63F-183X	MG RESISTOR	18K 1%	
R2419	NRSA63J-560X	RESISTOR	5.6K 5%	
R2420	NRSA63J-560X	RESISTOR	5.6K 5%	
R2421	NRSA63J-821X	RESISTOR	820 5%	
R2422	NRSA63J-821X	RESISTOR	820 5%	
R2423	NRSA63J-202X	MG RESISTOR	2.0K 5%	
R2424	NRSA63J-202X	MG RESISTOR	2.0K 5%	
R2425	NRSA63J-103X	RESISTOR	10K 5%	
R2426	NRSA63J-103X	RESISTOR	10K 5%	
R2427	NRSA63J-104X	RESISTOR	100K 5%	
R2428	NRSA63J-104X	RESISTOR	100K 5%	
R2431	NRSA63J-113X	RESISTOR	11K 5%	
R2432	NRSA63J-103X	RESISTOR	10K 5%	
R2433	NRSA63J-393X	MG RESISTOR	39K 5%	
R2434	NRSA63J-243X	MG RESISTOR	24K 5%	
R2441	NRSA63J-102X	RESISTOR	1.0K 5%	
R2442	NRSA63J-202X	MG RESISTOR	2.0K 5%	
R2443	NRSA63J-102X	RESISTOR	1.0K 5%	
R2444	NRSA63J-202X	MG RESISTOR	2.0K 5%	
R2445	NRSA63J-102X	RESISTOR	1.0K 5%	
R2446	NRSA63J-101X	RESISTOR	100 5%	
R2447	NRSA63J-104X	RESISTOR	100K 5%	
R2448	NRSA63J-104X	RESISTOR	100K 5%	
R2451	NRSA63J-104X	RESISTOR	100K 5%	
R2452	NRSA63J-102X	RESISTOR	1.0K 5%	
R2453	NRSA63J-104X	RESISTOR	100K 5%	
R2454	NRSA63J-103X	RESISTOR	10K 5%	
R2455	NRSA63J-105X	MG RESISTOR	1.0M 5%	
R2456	NRSA63J-105X	MG RESISTOR	1.0M 5%	
R2457	NRSA63J-104X	RESISTOR	100K 5%	
R2458	NRSA63J-243X	MG RESISTOR	24K 5%	
R2459	NRSA63J-113X	RESISTOR	11K 5%	
R2461	NRSA63J-103X	RESISTOR	10K 5%	
R2462	NRSA63J-103X	RESISTOR	10K 5%	
R2463	NRSA63J-104X	RESISTOR	100K 5%	
R2464	NRSA63J-104X	RESISTOR	100K 5%	
R2465	NRSA63J-104X	RESISTOR	100K 5%	
R2466	NRSA63J-101X	RESISTOR	100 5%	
R2501	NRSA63J-105X	MG RESISTOR	1.0M 5%	
R2502	NRSA63J-473X	RESISTOR	47K 5%	
R2503	NRSA63J-473X	RESISTOR	47K 5%	
R2504	NRSA63J-473X	RESISTOR	47K 5%	
R2505	NRSA63J-473X	RESISTOR	47K 5%	
R2506	NRSA63J-473X	RESISTOR	47K 5%	
R2507	NRSA63J-473X	RESISTOR	47K 5%	
R2511	NRSA63J-221X	MG RESISTOR	220 5%	

■ Tuner P.C.B.

BLOCK NO. 05

REF.	PARTS NO.	PARTS NAME	REMARKS	SUFFIX
A101	QX0285-001Z	C-FILTER		
CF101	QX0285-001Z	C-FILTER		
CF102	QX04049-001Z	C-FILTER		
CF103	QX0519-001Z	C-FILTER		
CN111	QGB2501K2-12	CONNECTOR		
CN112	QGB2501K1-04	CONNECTOR		
D 121	1S5133-T2	DIODE		
D 123	1S5133-T2	DIODE		
D 129	1S5133-T2	DIODE		
D 131	1S5133-T2	DIODE		
IC102	LA1838	IC		
IC121	LC72136N	IC		
IC191	SA6588	IC(RDS)		
L 111	Q9L231K-150V	INDUCTOR I.M		
Q 102	2SC535/BC/-T	TR.I/M		
Q 103	2SC4637BC/-T	TR.I/M		
Q 111	KTC3199/GL/-T	TR I/M		
Q 112	KTC3199/GL/-T	TR I/M		
Q 113	DTA114YKA-X	TRANSISTOR		
Q 121	DTA124ESA-T	D.TR.I.M		
R 103	NRSA02J-101X	MG RESISTOR		
R 104	NRSA02J-272X	MG RESISTOR		
R 105	NRSA02J-391X	MG RESISTOR		
R 106	NRSA02J-102X	RES. C.M		
R 107	NRSA02J-561X	RES. C.M		
R 108	NRSA02J-332X	MG RESISTOR		
R 109	NRSA02J-221X	MG RESISTOR		
R 111	NRSA02J-472X	RES. C.M		
R 112	QRE141J-472X	C RESISTOR		
R 114	NRSA02J-122X	MG RESISTOR		
R 115	NRSA02J-104X	MG RESISTOR		
R 119	NRSA02J-103X	RES. C.M		
R 122	NRSA02J-472X	RES. C.M		
R 124	NRSA02J-222X	MG RESISTOR		
R 126	NRSA02J-562X	MG RESISTOR		
R 127	NRSA02J-822X	MG RESISTOR		
R 128	NRSA02J-472X	RES. C.M		
R 129	NRSA02J-222X	MG RESISTOR		
R 130	QZ19005-680X	F RESISTOR		
R 132	NRSA02J-392X	MG RESISTOR		
R 133	NRSA02J-392X	MG RESISTOR		
R 134	NRSA02J-102X	RES. C.M		
R 140	NRSA02J-183X	RES. C.M		
R 140	NRSA02J-563X	RES. C.M		
R 141	NRSA02J-102X	RES. C.M		
R 142	NRSA02J-470X	MG RESISTOR		
R 143	NRSA02J-562X	MG RESISTOR		
R 144	NRSA02J-332X	MG RESISTOR		
R 145	NRSA02J-103X	RES. C.M		
R 146	NRSA02J-472X	RES. C.M		
R 147	NRSA02J-332X	MG RESISTOR		
R 150	NRSA02J-331X	MG RESISTOR		
R 157	NRSA02J-272X	MG RESISTOR		
R 157	NRSA02J-682X	MG RESISTOR		
R 158	NRSA02J-272X	MG RESISTOR		

BLOCK NO. 06

REF.	PARTS NO.	PARTS NAME	REMARKS	SUFFIX
A101	QNB0014-001	ANT TERMINAL		
BK 1	E308963-224SM	SHIELD BKT		
C 101	NCB21HK-103X	C CAPACITOR		
C 103	NCB21HK-223X	C CAPACITOR		
C 105	NCB21HK-223X	C CAPACITOR		
C 107	QEK41CM-226	C CAPACITOR		
C 111	NCB21HK-473X	C CAPACITOR		
C 112	NDC21HJ-120X	C CAPACITOR		
C 117	NCS21HJ-6R0X	C.CAPA. C.M		
C 118	NCS21HJ-350X	C CAPACITOR		
C 121	NDC21HJ-120X	C CAPACITOR		
C 122	NDC21HJ-120X	C CAPACITOR		
C 123	NCB21HK-473X	C CAPACITOR		
C 126	GEN41HM-101X	C CAPACITOR		
C 128	GEN41HM-474	N.P.E.CAPA. I.M		
C 129	NCB21HK-102X	C CAPACITOR		
C 130	QEK41CM-107Z	E CAPACITOR		
C 133	QEK41CM-226	E CAPACITOR		
C 134	NCB21HK-222X	C CAPACITOR		
C 135	NCB21HK-223X	C CAPACITOR		
C 136	QEK41HM-105	E CAPACITOR		
C 137	NCS21HJ-680X	C.CAPA. C.M		
C 137	NCB21HK-331X	C.CAPA. C.M		
C 139	NCB21HK-333X	C CAPACITOR		
C 139	NCB21HK-333X	C CAPACITOR		
C 140	NCB21HK-333X	C CAPACITOR		
C 140	NCB21HK-333X	C CAPACITOR		
C 141	NCB21HK-473X	C CAPACITOR		
C 143	NCB21HK-223X	C CAPACITOR		
C 144	NCB21HK-473X	C CAPACITOR		
C 146	QEK41HM-105	E CAPACITOR		
C 147	QEK41HM-105	E CAPACITOR		
C 148	QEK41HM-224	E CAPACITOR		
C 149	QEK41HM-105	E CAPACITOR		
C 150	QEK41CM-226	E CAPACITOR		
C 156	QDGB1HK-102Y	C CAPACITOR		
C 157	NCB21HK-473X	C CAPACITOR		
C 158	QEK41CM-226	E CAPACITOR		
C 161	QEK41CM-106	E CAPACITOR		
C 162	QEK41CM-106	E CAPACITOR		
C 163	NCB21HK-223X	C CAPACITOR		
C 164	NCB21HK-473X	C CAPACITOR		
C 168	QEK41HM-105	E CAPACITOR		
C 184	QEK1CM-107Z	E CAPACITOR		
C 185	QEK41CM-106	E CAPACITOR		
C 186	QEK41CM-106	E CAPACITOR		
C 191	NCS21HJ-820X	C CAPACITOR		
C 192	NCS21HJ-470X	C CAPACITOR		
C 193	NCB21HK-561X	C CAPACITOR		
C 194	NCB21HK-104X	C CAPACITOR		
C 195	NCB21HK-331X	C.CAPA. C.M		
C 196	QEK41HM-225	E CAPACITOR		
C 197	NCB21HK-473X	C CAPACITOR		
C 199	QEK41CM-106	E CAPACITOR		
CF101	QAX0419-001Z	C-FILTER		

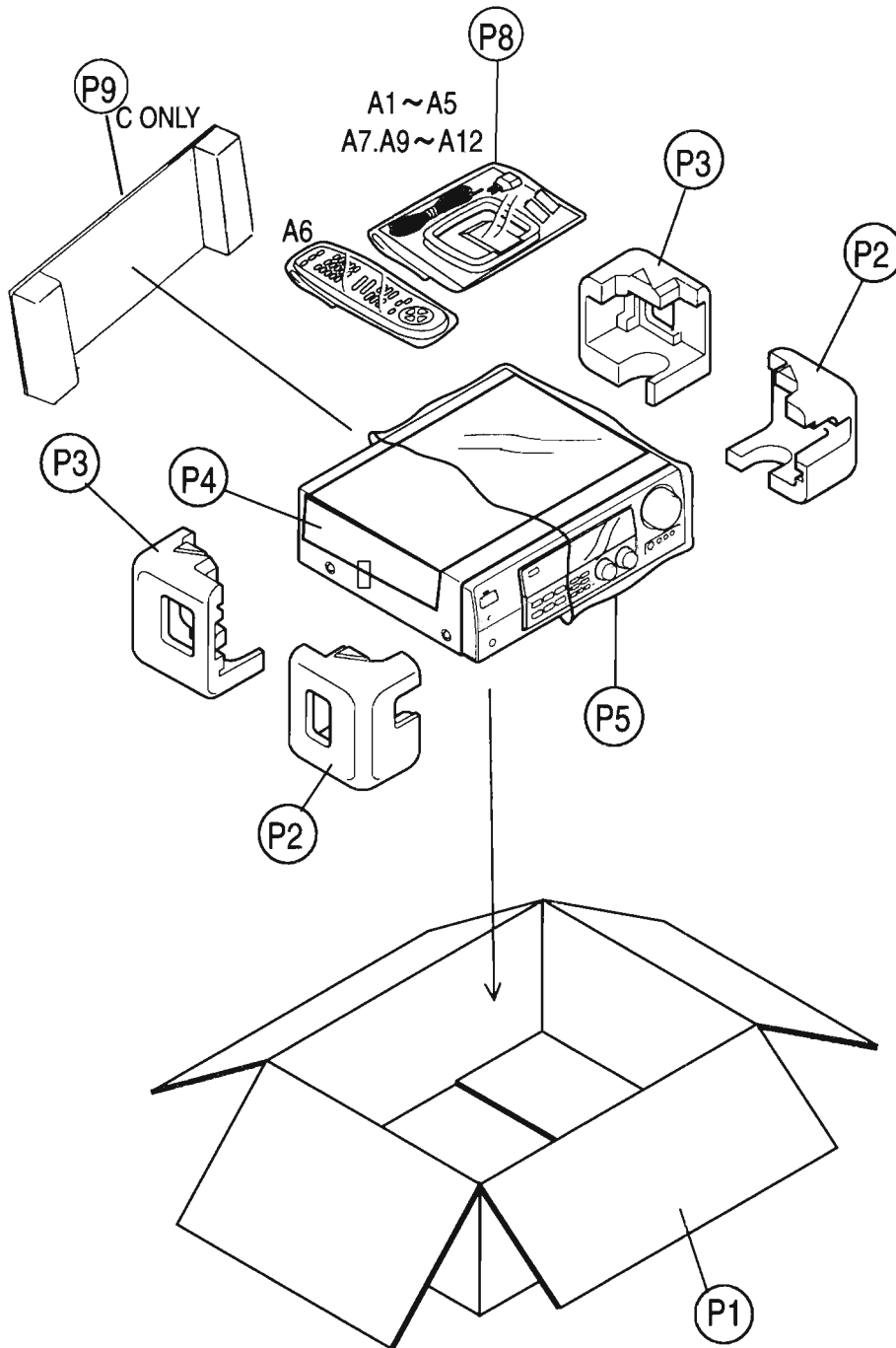
Packing Materials and Parts Numbers

Block No.

M	2	M	M
---	---	---	---

Block No.

M	3	M	M
---	---	---	---



■ Packing Parts List

BLOCK NO. **M3MM**□□□□

△	REF.	PARTS NO.	PARTS NAME	REMARKS	QTY	SUFFIX	CLR
	P 1	LV30044-074A	CARTON BOX	RX-888VBK J.C	1		
		LV30044-092A	CARTON BOX	RX-888RBK B	1		
		LV30044-091A	CARTON BOX	RX-888RBK E.EN	1		
	P 2	LV20039-201A	PACKING PAD		1		
	P 3	LV20040-201A	PACKING PAD		1		
	P 4	E73660-070	SHEET		1		
	P 5	LV40363-001A	ENVELOPE		1		
	P 8	QPA02503505P	POLY BAG		1		
	P 9	E308447-001SM	SHEET	RX-888RBK B	1		

■ Accessories Parts List

BLOCK NO. **M2MM**□□□□

△	REF.	PARTS NO.	PARTS NAME	REMARKS	QTY	SUFFIX	CLR
	A 1	LVT0177-002A	I.BOOK RBK EN	FIN DAN	1		
		LVT0177-002A	I.BOOK RBK EN	GER FRE DUT SWE	1		
		LVT0177-003A	I.BOOK RBK B	ENG	1		
		LVT0175-002A	I.BOOK VBK C	ENG FRE	1		
		LVT0177-001A	I.BOOK RBK E	ENG GER FRE DUT	1		
		LVT0177-001A	I.BOOK RBK E	SPA ITA	1		
		LVT0175-001B	I.BOOK VBK J	ENG	1		
	A 2	LVT0176-001A	I.BOOK VBK J	ENG	1		
	A 3	EWP503-001	ANT.WIRE		1		
	A 4	QAL0014-001	AM LOOP ANT		1		
	A 5	BT-51020-2	J=REGIST CARD	RX-888VBK J	1		
	A 6	RM-SRX888R	REMOCON	RX-888RBK	1		
		RM-SRX888J	REMOCON	RX-888VBK	1		
	A 7	-----	BATTERY		2		
	A 9	BT-20071B	SVC CENTER LIST	RX-888VBK C	1		
	A 10	BT-52002-1	C=W.CARD	RX-888VBK C	1		
	A 11	E43486-340A	BS=SAFETY INST	RX-888RBK B	1		
	A 12	BT-20044G	J=SAFETY INST	RX-888VBK J	1		

RX-888VBK
RX-888RBK

JVC

VICTOR COMPANY OF JAPAN, LIMITED

AUDIO DIVISION, 10-1, 1Chome, Ohwatari-machi, Maebashi-city, 371-8543, Japan